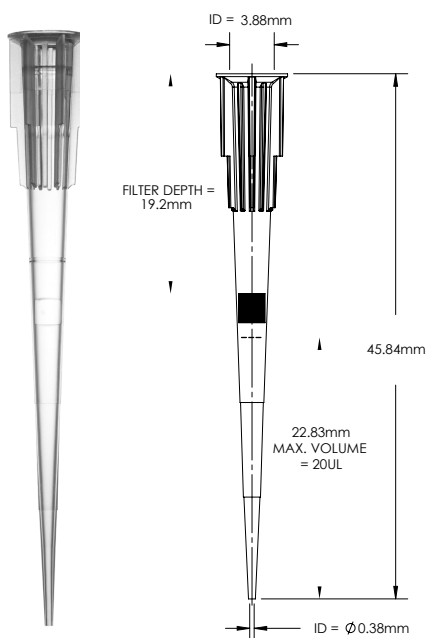
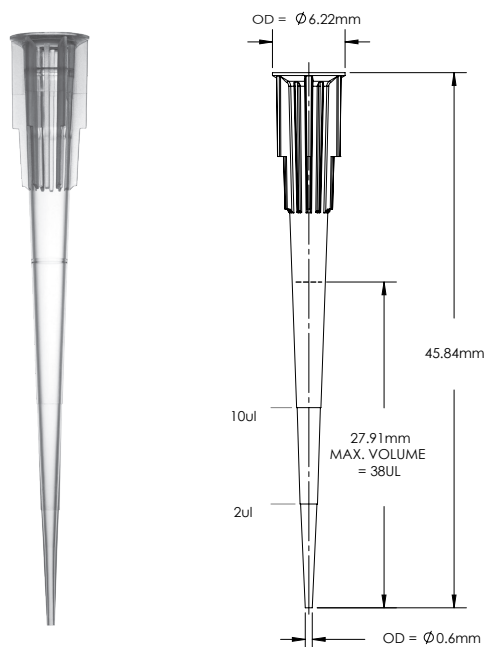


Series	BT10XL Series 10 µl Extended Length Barrier Tip			2340 Series 10 µl Extended Length Tip			
Part Number	63300753	63300754	63302553	63300557 6330058	63302171	63300560 63302176	63302174 63300555
Legacy REF Number	BT10XL	BT10XLS3	2340S3	2342S3 23423.S	2340	2347 2347.N	2342 2342.S
Graduation Marks	Graduation marks are indicated at both 0.5 µl, 2 µl and 10 µl locations Refer to product image for visuals						
Tip Composition	Neptune pipette tips are made of virgin polypropylene						
Tip Types Available	Natural Polypropylene	S ³ - Low Retention			Natural Polypropylene	S ³ - Low Retention Natural Polypropylene &	Natural Polypropylene
Filter Material	High Density Polyethylene Filter		Non-Filtered Products				
Offered in Pre-Sterile Format	Yes	No	Yes	No	Yes		
Configuration	Racked		Bulk	Racked	Bulk	ESP Reload	Racked
Packaging Breakdown	96 tips/ rack 10 racks/ pack 5 packs/ case		1000 tips bag 20 bags/case	96 tips/ card 10 cards/ pack 5 packs/ case	1000 tips bag 20 bags/ case	96 tips/ card 10 cards/ pack 5 packs/ case	96 tips/ card 10 cards/ pack 5 packs/ case
Autoclavable	No		Autoclavable at 120° C for 10-15 PSI				
Storage Conditions	Store in a clean, dry environment at room temperature 15-30° C						

BT10XL Series



2340 Series



Product Specification Sheet

Quality Control:

Certificates of Compliance	Each lot undergoes stringent inspection and individual lot testing ensures Neptune products are certified RNase, DNase, DNA and Endotoxin-free. Visit www.neptunescientific.com to obtain a copy of a certificate of compliance for your Neptune product.
RNase/DNase	Products are washed in distilled water and concentrated via centrifugation. Samples are added to previously established nucleic acid standards, incubated for one hour at 37°C, and tested on a 2% gel using electrophoresis. Products must show no degradation of standards to pass. Test sensitivity is 10 ⁻⁷ Kunitz units/μl.
Nucleic Acid	Products are washed in distilled water and concentrated via centrifugation. Then, samples are added to protocol specified PCR reactions and thermal cycled for 50 cycles. A 2% agarose gel electrophoresis is used to examine experimental samples, positive controls, and negative controls. To pass, product samples must show no DNA amplification. Test sensitivity is 10 ng.
Endotoxin/Pyrogen	Products are tested for endotoxins by using the Limulus Amebocyte Lysate (LAL) gel assay according to FDA guidelines. Test sensitivity is 0.06 EU/ml.
Sterilization	Products are sterilized using electron beam irradiation.
Traceability	Each product contains a 5 digit lot number located on the rack, pack and case of each finished good. With Neptune's advanced manufacturing process all raw materials are able to be traced for maximum quality assurance.

Advancements in Liquid Handling:

S ³	Neptune's exclusive S ³ polymer was designed to increase pipetting accuracy by virtually eliminating tip retention and sample hold-up.
ESP Reload	Neptune's ESP (Environmentally Sustainable Pack) was the industry's first pipette reload system designed to minimize plastic waste by 90% and provide an environmentally friendly solution.
Aerosol Barrier Tip	Specifically engineered to reduce cross contamination.

Pipettor Compatibility:

Biohit Proline™ 10 μl
 Brand Transferpette S™ 10 μl
 Capp™ 10 μl
 CLP Beta-Pette™ 2 μl and 10 ul
 CLP Poseidon™ 2 μl and 10 ul
 CLP Poseidon Electronic™ 20 μl Eppendorf
 Reference™ 2.5 μl and 10 μl

Eppendorf Research™ 2.5 μl and 10 μl
 Eppendorf Research Plus™ 2.5 μl and 10 μl
 Eppendorf Xplorer™ 10 μl
 Finnpipette™ 10 μl and 50 μl
 Finnpipette™ Electronic 10 μl
 Finnpipette F1™ 10 μl
 Gilson Pipetman™ P2 and P10

Hamilton™ 2 μl and 10 μl Nichiryo Nichipet
 EX™ 10 μl Nichiryo Oxford Benchmate™ 2 μl
 Nichiryo Oxford Multimate™ 10 μl Socorex
 Calibri 822™ 10 μl
 VWR Ultra High Performance™ 2 μl and 10 μl