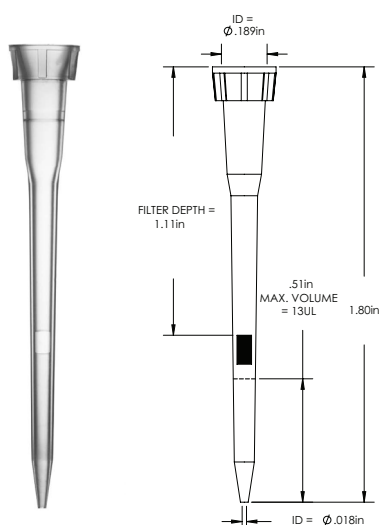
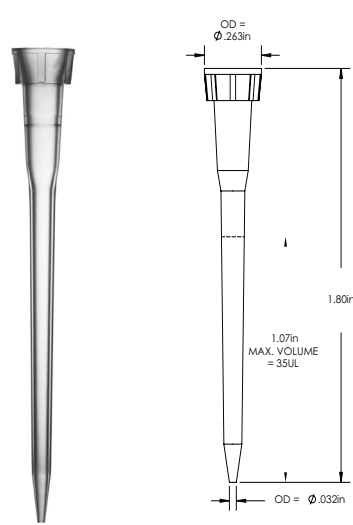


Series	BT10E Series 10 µl Eppendorf™ Style Barrier Tip		2140 Series 10 µl Eppendorf™ Style Tip	
Part Number	63300751		63302167	63302064 63300544
REF Number	BT10E		2140	2142 2142.S
Graduation Marks	Graduation marks are indicated at both 0.5 µl, 2 µl and 10 µl locations Refer to product image for visuals			
Tip Composition	Neptune pipette tips are made of virgin polypropylene			
Tip Types Available	S <sup>3</sup> - Low Retention			
Filter Material	High Density Polyethylene Filter		Non-Filtered Products	
Offered in Pre-Sterile Format	Yes		No	Yes
Configuration	Racked		Bulk	Racked
Packaging Breakdown	96 tips/ rack 10 racks/ pack 5 packs/ case		1000 tips bag 20 bags/case	96 tips/ card 20 cards/ pack 4 packs/ case
Autoclavable	No		Autoclavable at 120°C for 10-15 minutes at 15 PSI	
Storage Conditions	Store in a clean, dry environment at room temperature 15-30°C			

### BT10E Series



### 2140 Series



# Product Specification Sheet

## Quality Control:

Certificates of Compliance	Each lot undergoes stringent inspection and individual lot testing ensures Neptune products are certified RNase, DNase, DNA and Endotoxin-free. Visit <a href="http://www.neptunescientific.com">www.neptunescientific.com</a> to obtain a copy of a certificate of compliance for your Neptune product.
RNase/DNase	Products are washed in distilled water and concentrated via centrifugation. Samples are added to previously established nucleic acid standards, incubated for one hour at 37°C, and tested on a 2% gel using electrophoresis. Products must show no degradation of standards to pass. Test sensitivity is 10 <sup>-7</sup> Kunitz units/μl.
Nucleic Acid	Products are washed in distilled water and concentrated via centrifugation. Then, samples are added to protocol specified PCR reactions and thermal cycled for 50 cycles. A 2% agarose gel electrophoresis is used to examine experimental samples, positive controls, and negative controls. To pass, product samples must show no DNA amplification. Test sensitivity is 10 ng.
Endotoxin/Pyrogen	Products are tested for endotoxins by using the Limulus Amebocyte Lysate (LAL) gel assay according to FDA guidelines. Test sensitivity is 0.06 EU/ml.
Sterilization	Products are sterilized using electron beam irradiation.
Traceability	Each product contains a 5 digit lot number located on the rack, pack and case of each finished good. With Neptune's advanced manufacturing process all raw materials are able to be traced for maximum quality assurance.

## Advancements in Liquid Handling:

S <sup>3</sup>	Neptune's exclusive S <sup>3</sup> polymer was designed to increase pipetting accuracy by virtually eliminating tip retention and sample hold-up.
ESP Reload	Neptune's ESP (Environmentally Sustainable Pack) was the industry's first pipette reload system designed to minimize plastic waste by 90% and provide an environmentally friendly solution.
Aerosol Barrier Tip	Specifically engineered to reduce cross contamination.

## Pipettor Compatibility:

Biohit Proline™ 10 μl

Brand Transferpette S™ 10 μl

Capp™ 10 μl

Eppendorf Reference™ 2.5 μl and 10 μl

Eppendorf Research™ 2.5 μl and 10 μl

Eppendorf Research Plus™ 2.5 μl and 10 μl

Eppendorf Xplorer™ 10 μl

Finnpipette™ 10 μl

Gilson Pipetman™ P2 and P10

Hamilton™ 2 μl and 10 μl

Nichiryo Nichipet EX™ 10 μl

Nichiryo Oxford Benchmate™ 2 μl

Nichiryo Oxford Multimatch™ 10 μl

Socorex Calibri 822™ 10 μl

VWR Ultra High Performance™ 2 μl and 10 μl