

Reservoir

(#22001/23001/22050/23050/21002/21102/21008/21012)

1. Description

Sloping bottoms of SPL Reservoirs are useful for filling multichannel-pipette during both cell culture experiment and immunoassay experiments.

2. Features

- ❖ Manufactured from modified polystyrene
- ❖ Notched volume label (Cat. No.22050, 23050, 22001, 23001)
- ❖ Supplied sterile in packs of 1 or 5
- ❖ Supplied non-sterile in packs of 20 (Cat. No. 23001)

3. Product Range

Cat. No.	Material	Color	Design	Channel	Volume(ml)	Sterile	Packaging
22001	PS	White	Sloping Bottom	1	100.00	+	1 / 50
23001	PS	White	Sloping Bottom	1	100.00	-	20 / 100
22050	PS	White	Sloping Bottom	1	50.00	+	1 / 50
23050	PS	White	Sloping Bottom	1	50.00	+	5 / 100
21002	PS	White	Sloping Bottom	2	25.00	+	1 / 50
21102	PS	White	Sloping Bottom	2	25.00	+	5 / 100
21008	PS	White	Sloping Bottom	8	7.00	+	1 / 100
21012	PS	White	Sloping Bottom	12	4.00	+	1 / 100

4. Certification

SPL Life Sciences hereby certifies that the product identified above, inspected to be in compliance with product quality specification and requirements as documented in our ISO 9001:2015 Quality Management System (K-QA-Q031478) in Korea.

5. Product Photographs



6. Specifications & Technical Drawing

- Specifications (Cat. No. 22001 / 23001 / 22050 / 23050)

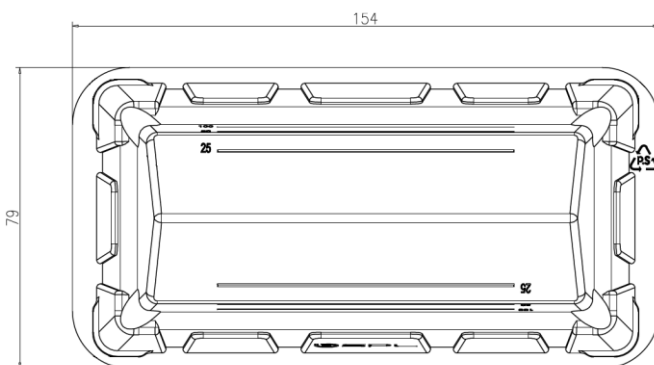
Cat. No.	Dimensions		Material (Resin)	Packaging		
	22001 / 23001	22050 / 23050		22001 / 22050	23001	23050
Internal Length	58.00 mm	38.00 mm	Crystal-grade Polystyrene (PS)	<ul style="list-style-type: none"> ▪ Pieces/Sleeve: 1 ▪ Pieces/case: 50 	<ul style="list-style-type: none"> ▪ Pieces/Sleeve: 20 ▪ Pieces/case: 100 	<ul style="list-style-type: none"> ▪ Pieces/Sleeve: 5 ▪ Pieces/case: 100
Internal Width	128.00 mm	125.00 mm				
Working volume	100.00 ml	50.00 ml				

- Specifications (Cat. No. 21002 / 21102 / 21008 / 21012)

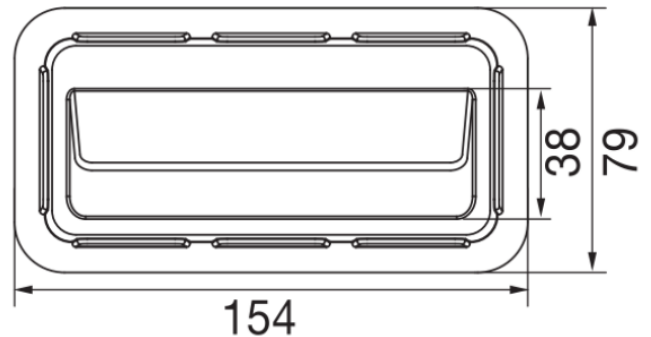
Cat. No.	Dimensions			Material (Resin)	Packaging		
	21002 / 21102	21008	21012		21002	21102	21008 / 21012
Internal Length	26.00 mm	9.00 mm	59.80 mm	Crystal-grade Polystyrene (PS)	<ul style="list-style-type: none"> ▪ Pieces/Sleeve: 1 ▪ Pieces/case: 50 	<ul style="list-style-type: none"> ▪ Pieces/Sleeve: 5 ▪ Pieces/case: 100 	<ul style="list-style-type: none"> ▪ Pieces/Sleeve: 1 ▪ Pieces/case: 100
Internal Width	125.00 mm	104.20 mm	9.00 mm				
Working volume	25.00 ml	7.00 ml	4.00 ml				

- Technical Drawing

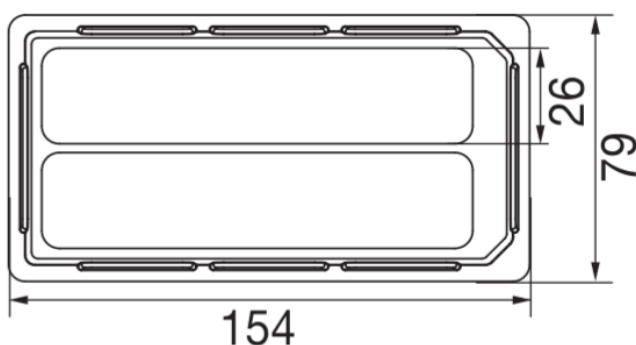
Cat. No. 22001/23001



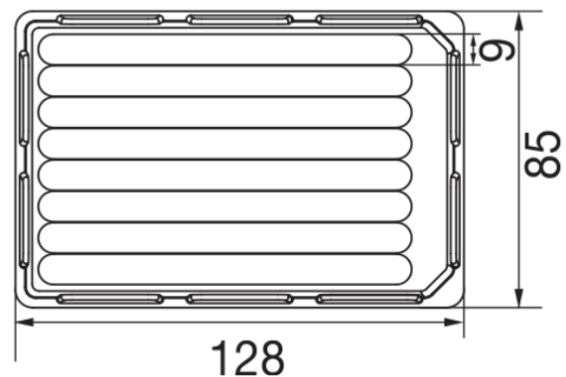
Cat. No. 22050/23050



Cat. No. 21002/21102



Cat. No. 21008



Cat. No. 21012

