

IKA

designed for scientists

HB eco

ENGLISH

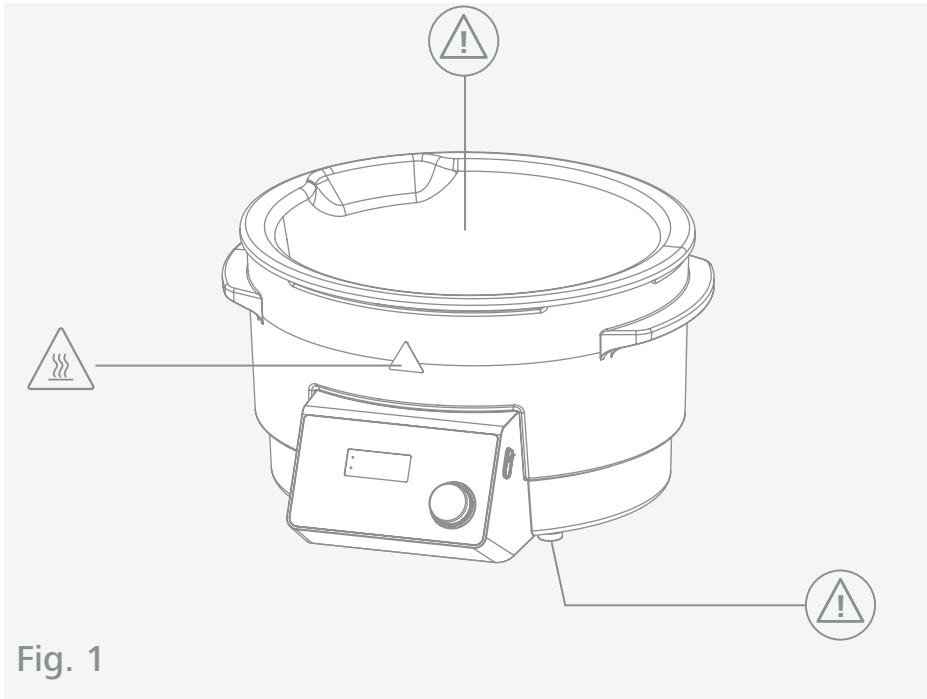











Fig. 1

| | | |
|---|--------------------------------------|----|
|  | EU Declaration of conformity | 6 |
|  | Explication of warning symbols | 6 |
|  | Safety instructions..... | 7 |
|  | Intended use..... | 9 |
|  | Unpacking | 10 |
| | Operator panel and display | 11 |
|  | Operation | 12 |
| | Interfaces and outputs | 18 |
|  | Maintenance and cleaning..... | 19 |
|  | Error codes | 20 |
|  | Technical Data | 22 |
| | Warranty | 23 |



EU Declaration of conformity

We declare under our sole responsibility that this product corresponds to the directives 2014/35/EU, 2014/30/EU and 2011/65/EU and conforms with the following standards or normative documents: EN 61010-1, EN 61010-2-010; EN 61326-1, EN 60529 and EN ISO 12100.

A copy of the complete EU Declaration of Conformity can be requested at sales@ika.com.



Explication of warning symbols

/// Symbols used in this instruction manual



“Safety instructions” chapter



“Unpacking” chapter



“Accessories” chapter



“Assembly” chapter



“Operation” chapter



“Error codes” chapter



“Maintenance and cleaning” chapter



“Technical data” chapter



Item numbers

Indicates relevant device components for actions.



Correct / result

Indicates correct implementation or the result of an action step.



Incorrect

Indicates incorrect implementation of an action step.



Please note

Indicates action steps for which particular attention must be paid to a particular detail.



Beep

Indicates action steps, for which beep sounds are to be heard.



Power outage

Indicates device restart after a power outage.



Internet

Indicates action steps for which further information is included in the online instruction manual.



Indicates lists.



Indicates action steps.

Safety instructions



/// Warnings used in this instruction manual



Risk of burning at hot surfaces

- ▷ Do not touch hot surfaces without protective gloves.
- ▷ Only fill or empty the device when it is cold.
- ▷ Let the components cool off before continuing work with the device.



Burns hazard due to hot tempering media

- ▷ Do not touch hot tempering media.
- ▷ Note the danger of burns in case of tempering media that have a flashpoint of less than 260 °C.
- ▷ Note the danger resulting from flammable materials.

- ▷ Before commissioning, read and observe the safety instructions.
- ▷ Keep the operating instruction manual accessible for all users.

/// Other risks

Risk of burning at hot surfaces

The top edge of the heating bath can heat up to temperatures above 65 °C during operation.

- ▷ Do not touch hot device components without protective gloves.
- ▷ Only fill or empty the device when it is cold.

Risk of injury caused by explosion

- ▷ Do not use the device in explosive atmospheres, as it is not EX-protected.
- ▷ When using tempering media that could create explosive mixtures, take appropriate safety measures (e.g. work under an extractor hood).

Risk of injury caused by self-igniting tempering media

- ▷ Only heat up tempering media with a flashpoint above the set safety temperature of the heating bath.
- ▷ Do not touch hot tempering media.

Risk of burns due to self-igniting tempering media (also in connection with rotary evaporator or other devices)

- ▷ For tempering media with a flashpoint ≤ 260 °C: Note the danger resulting from ignition of the medium.
- ▷ Note the danger resulting from flammable materials.

Risk of injury caused by electric shock

- ▷ Only put together accessories with the power supply cable disconnected.

Damage to the device due to improper use

- ▷ Empty the heating bath before transportation.
- ▷ Never operate the heating bath without tempering medium.
- ▷ Ensure that the specified settings on the rating plate coincide with the actual power supply.
- ▷ Ensure that the power socket used is earthed (grounded contact).
- ▷ Avoid knocks or impacts to the device and accessories.

Hazards resulting from uncontrolled restart

- ▷ After an interruption to the power supply, the device starts up again with previously set operating mode C.
- ▷ To cut the power supply, press the device main switch or unplug the mains or device plug.
- ▷ After interrupting the power supply, ensure that the device is not unintentionally restarted.

/// Requirements for operators / users

- ▷ Ensure that only qualified persons use the device.
- ▷ Ensure that the device is only opened by a qualified technician.
- ▷ Ensure that the applicable safety and accident prevention measures are observed when processing hazardous materials.
- ▷ Wear personal safety equipment in accordance with the hazard class of the medium that is used.
- ▷ Inform the user about possible danger due to contact with or inhalation of media (e.g. poisonous liquids, gases, mist, vapours, dusts or biological or microbiological materials).
- ▷ Only work with media for which the energy input during processing is harmless. This also needs to take into account other sources of energy such as, for example, light irradiation.
- ▷ Place device on an even, stable, clean, non-slip, dry, fire-resistant surface.
- ▷ Refer to the operating instructions for the accessories.
- ▷ Always check the device and accessories for damage prior to each use. Never use damaged parts.
- ▷ During operation with rotary evaporator: Observe the maximum filling quantity also for the displaced piston volume.

Intended use



/// Use

- ▷ The heating bath is used for tempering media. It is the user's responsibility to determine which medium is tempered. The heating bath is not used for tempering foods. The heating bath is suitable for use with rotary evaporators from IKA.

Recommended tempering media

- › Water (up to 80 °C)
- › Low viscosity silicone oils (50 mPas) with a flashpoint \geq 260 °C

/// Area of use

- ▷ Indoor environments similar to that a laboratory of research, teaching, trade or industry area.
- ▷ The safety of the user cannot be guaranteed:
 - › if the device is operated with accessories that are not supplied or recommended by the manufacturer,
 - › if the device is operated improperly or contrary to the manufacture's specifications,
 - › if the device or the printed circuit board are modified by third parties.

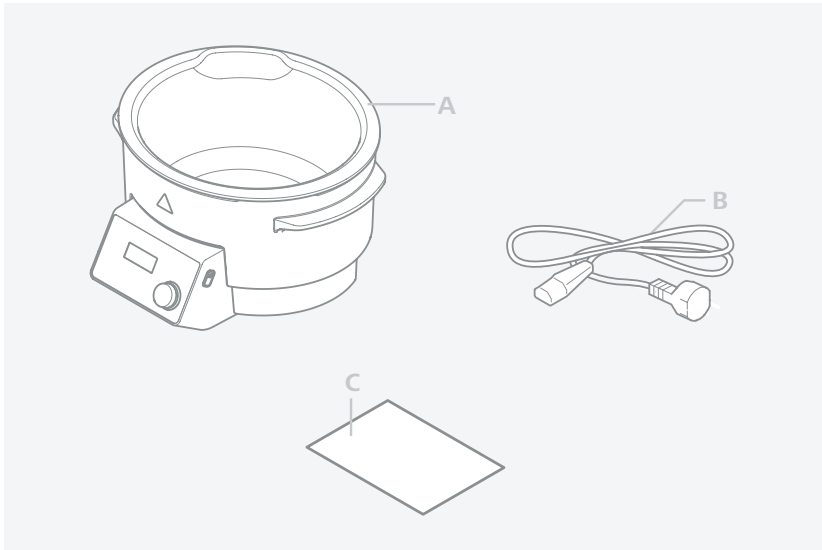


Unpacking

/// Unpacking

Unpack the device carefully. Any damage should immediately be reported to the carrier (mail, rail or freight forwarding company).

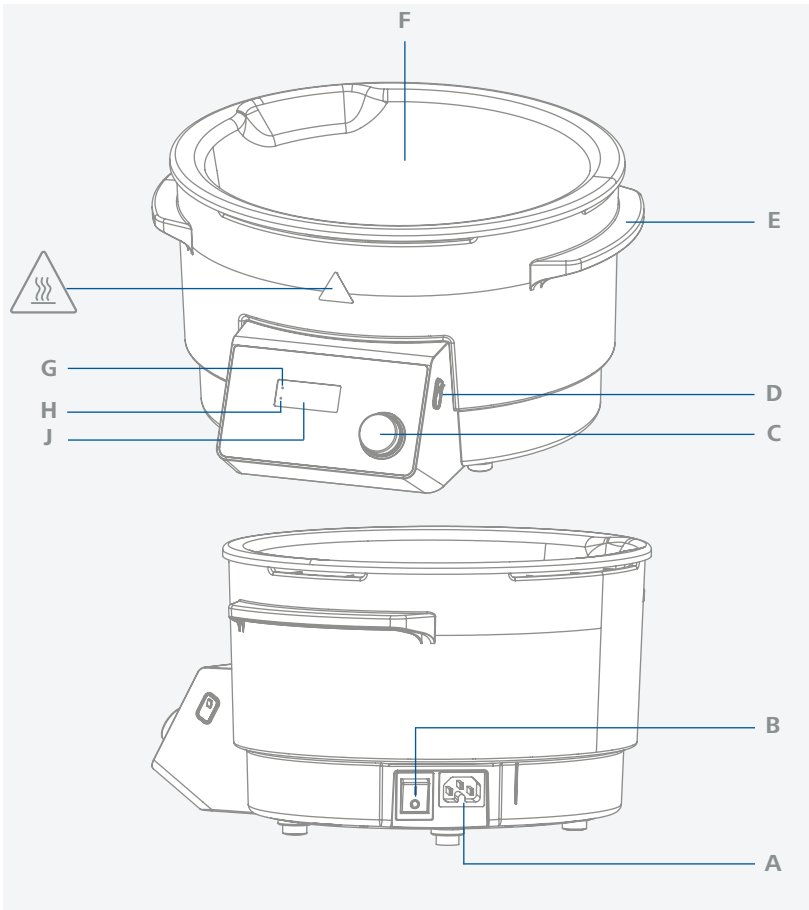
/// Scope of delivery



| | |
|----------|--------------|
| A | heating bath |
| B | power cord |
| C | user guide |

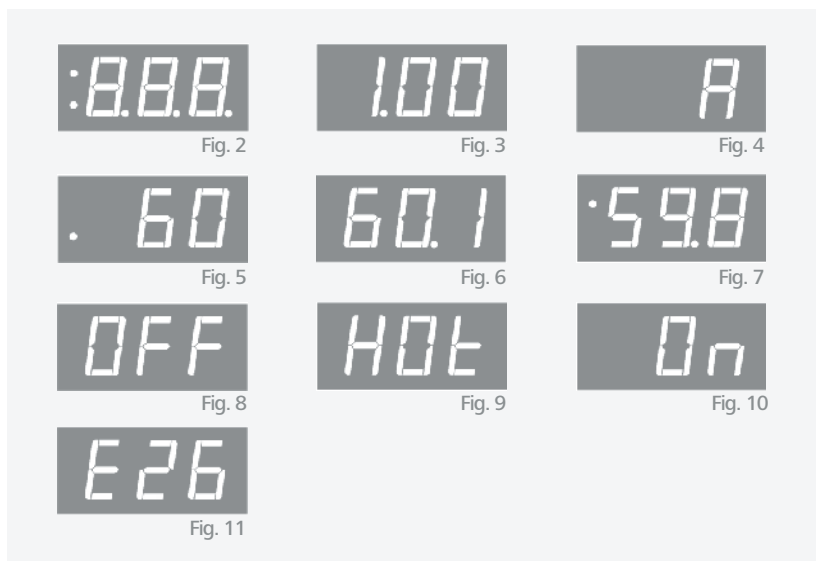
Operator panel and display

/// Operator panel



| | | | |
|----------|--------------------------|----------|----------------------|
| A | Power socket | F | Bath insert |
| B | Mains switch | G | LED heating |
| C | Rotating / pressing knob | H | LED (set = setpoint) |
| D | USB interface | J | Display |
| E | Handle | | |

/// Display

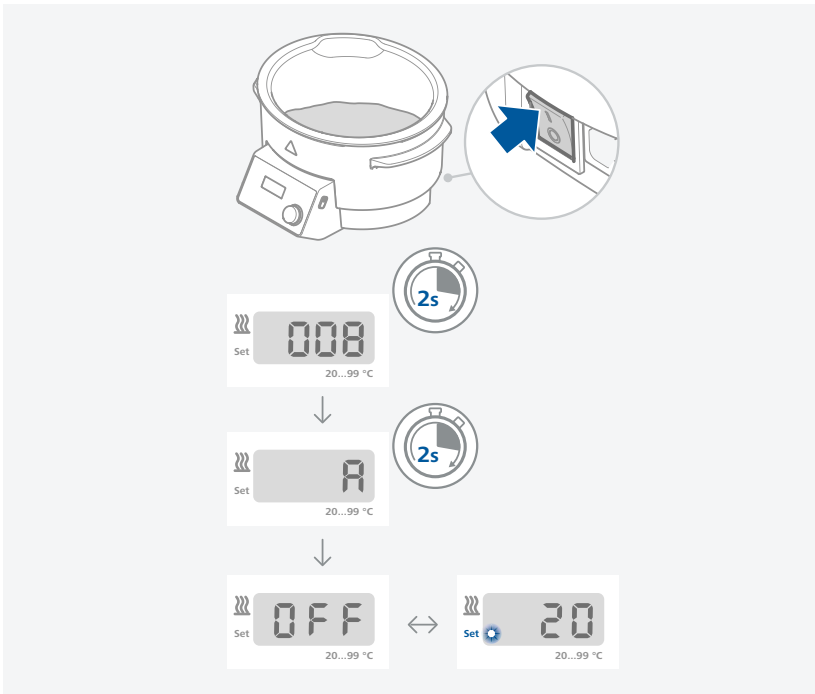
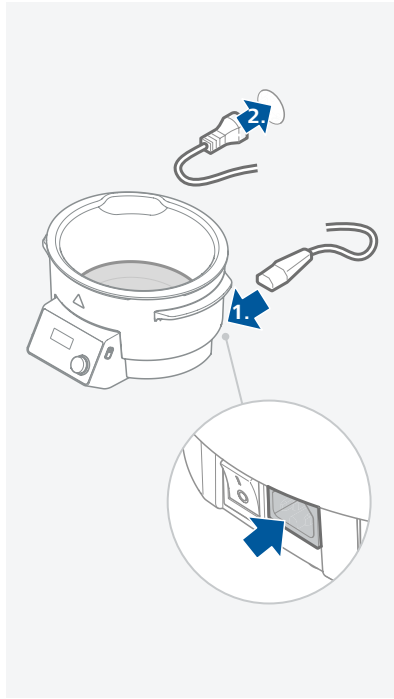
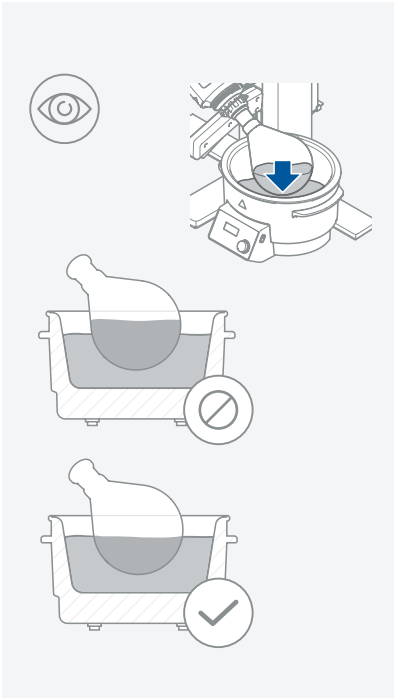


Operation

/// Start-up

- ▷ Observe the ambient conditions (temperature, humidity, etc.) listed under “Technical data”.
- ▷ The unit is ready for service when the mains plug has been plugged in.
- ▷ Prior to commissioning the device, determine the filling quantity of the tempering medium due to the used evaporator piston size (approx. 2.5 l tempering medium by using a standard 1 l evaporator piston).

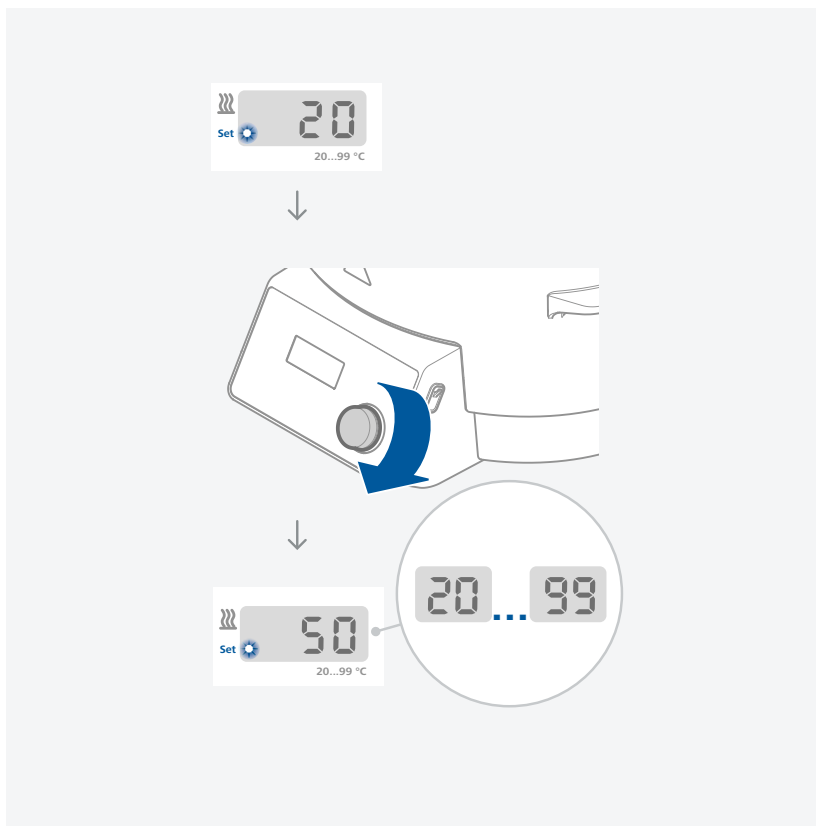
- ▷ Switch on the device using the mains switch.
- ▷ At every start, the display will show all display segments (Fig. 2), the software version (Fig. 3), and the operating mode (Fig. 4).
- ▷ The heating bath temperature is held constant by the control circuit and is additionally monitored by the safety circuit.
In the event of an error occurred in the control circuit, the heating bath is switched off permanently by the safety circuit.
An error in the control or safety circuits is shown on the display.
The heating function can no longer be started.
- ▷ When switching off the heating function and the medium temperature is higher than 50 °C, the display will alternately show the set temperature (Fig. 5) and “HOT” (Fig. 9). Otherwise, the display will alternately show the set temperature (Fig. 5) and OFF (Fig. 8).
When switching on the heating function, the display will alternately show set temperature (Fig. 5) and the actual temperature (Fig. 6 or Fig. 7).

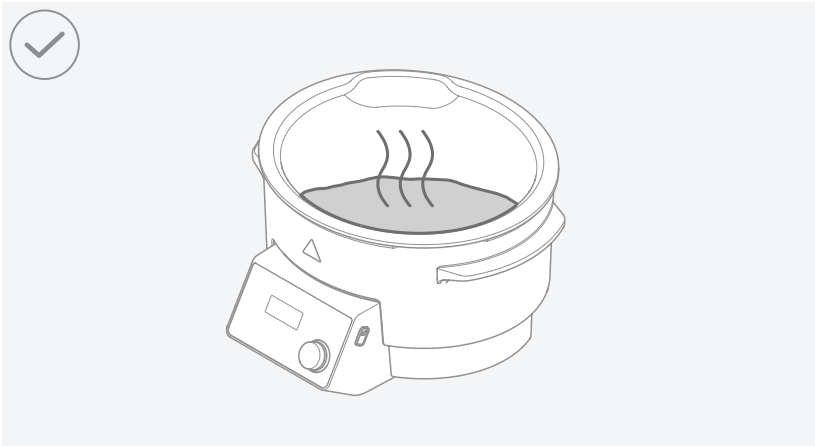
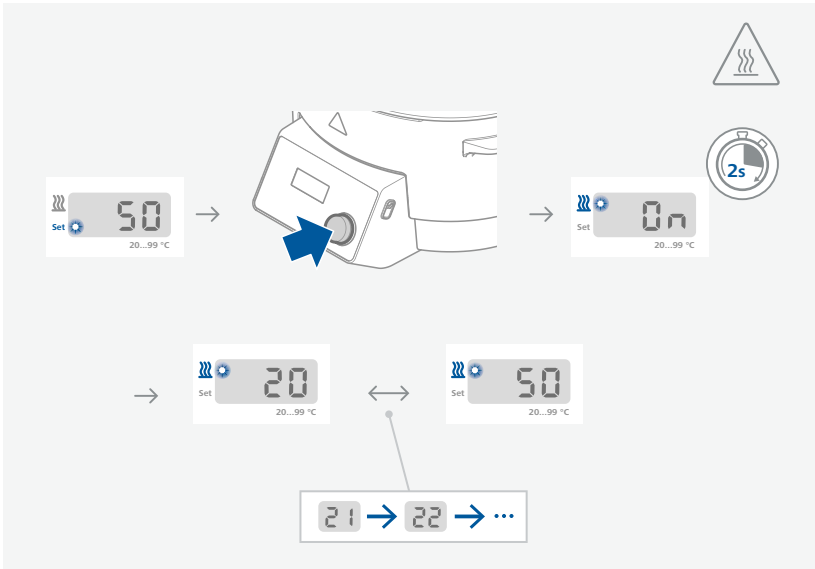


/// Setting the target temperature

Activate the SET function by turning and pressing the rotating / pressing knob.

- ▷ Set the desired heating bath temperature by turning the rotating / pressing knob.
- ▷ The LED setpoint temperature will be always on whenever the set temperature is shown. (Fig. 5)
- ▷ Confirm the value by pressing the rotating / pressing knob.
- ▷ Start the heating process by pressing the rotating / pressing knob.





/// Setting the operating modes

Operating mode A

- ▷ Switch on the device at the mains switch.
- ▷ The heating function is switched off.
- ▷ The target value is set to 20 °C.
- ▷ The target value can be adjusted.
- ▷ The heating function must be restarted following a power failure.
- ▷ Mode A appears on the display when switching on the device.

Factory setting: Mode A

Operating mode b

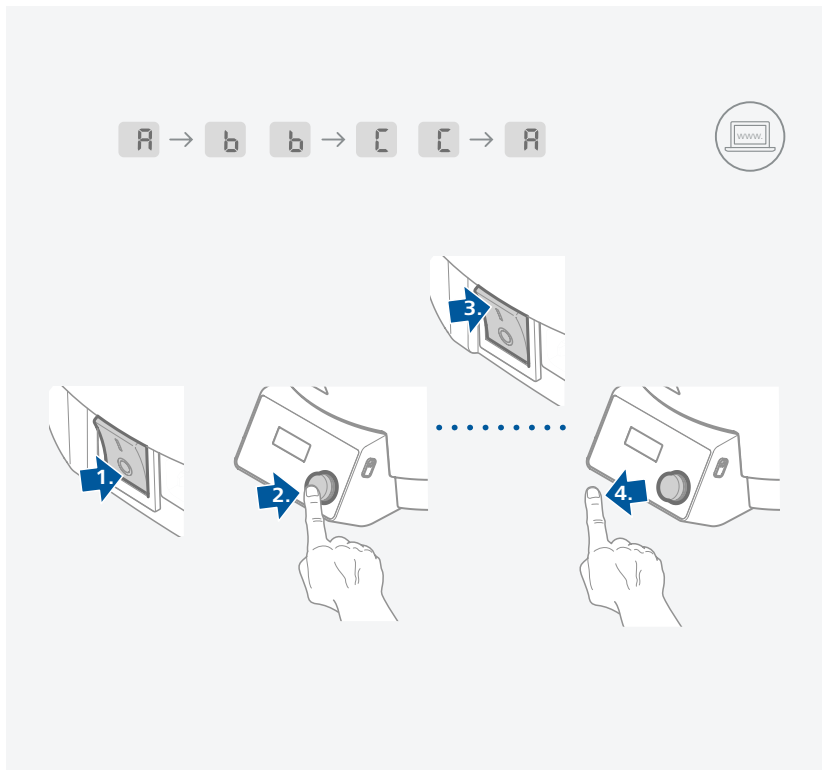
- ▷ Switch on the device at the mains switch.
- ▷ The heating function is switched off.
- ▷ The target value is set to 20 °C or the most recent set temperature.
- ▷ The target value can be adjusted.
- ▷ The heating function must be restarted following a power failure.
- ▷ Mode b appears on the display when switching on the device.

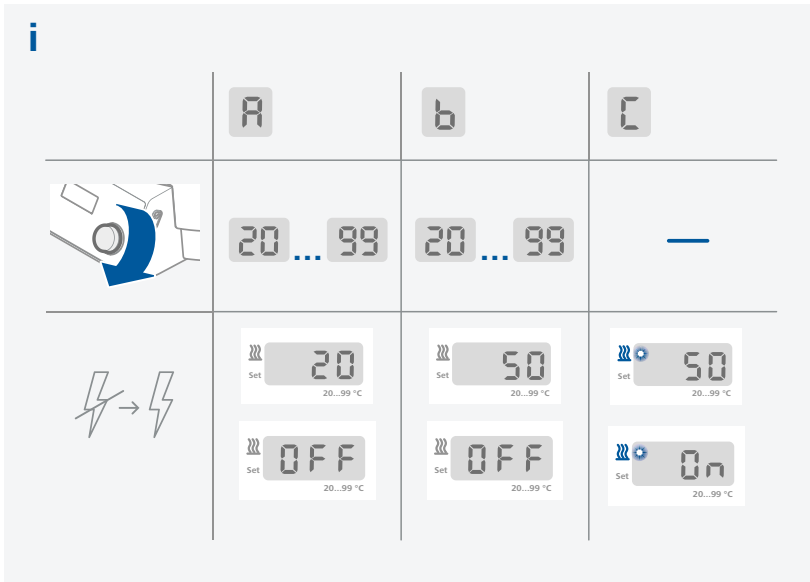
Operating mode C

- ▷ Switch on the device at the mains switch.
- ▷ The heating function is switched on or off depending on the last selected setting.
- ▷ The last target value set in mode b applies.
- ▷ The target value cannot be adjusted.
- ▷ The heating function will be automatically restarted following a power failure.
- ▷ Mode C appears on the display when switching on the device.

Switching the operating modes

- ▷ Switch the device off at the mains switch.
- ▷ Press and hold rotating / pressing knob and switch the device on at the mains switch. Release the rotating / pressing knob after 2 seconds.
- ▷ Sequence A, b, C, A etc.
- ▷ The operating mode appears on the display when switching on the device.



i

/// Safety temperature

The safety circuit prevents the temperature of the heating bath from getting too high as a result of controller error. Once the safety temperature has been reached, the device switches off permanently.

Furthermore, dry running of the heating bath is detected. The device switches off permanently.

The dry running function detects both accidental heating of the heating bath without liquid and dry running caused by water evaporation starting at a set temperature of 60 °C. The error message E26 (Fig. 11) appears and the heating bath is switched off permanently. To remedy this error, see “Error codes”.

/// Controlling the medium temperature

The medium temperature is limited by the set safety temperature controlled by means of a PID controller and measured by the PT 1000 temperature sensor, and the medium is heated up as quickly as possible without overshooting to the set temperature.

The PID controller adapts to the different tempering media and ensures optimum temperature control with minimum temperature drift and fluctuation.

Optimum control is only achieved when the medium is mixed using a rotating evaporator piston.

- ▷ Set the desired medium temperature between room temperature and 99 °C by turning the rotating / pressing knob.
- ▷ Start the heating function by pressing the rotating / pressing knob.
- ▷ The LED heating appears.
- ▷ The heating bath is heated up to the set temperature.
- ▷ The set and actual temperature referred to the medium are shown on the display.

Interfaces and outputs

- ▷ Please comply with the system requirements together with the operating instructions and help section included with the software.

/// USB interface:

The connected devices and their properties are detected automatically. The USB interface is used in conjunction with software control for “remote” operation and can also be used for software update of the device.

/// USB device drivers:

First, download the latest driver for IKA devices with USB interface from:

<http://www.ika.com/ika/lws/download/usb-driver.zip>

Install the driver by running the setup file. Then connect the IKA device to the PC via the USB data cable and follow the instructions.

The data communication is via a virtual COM port.

/// USB cable A - B:

This cable is required to connect USB port to a PC.



Maintenance and cleaning



- ▷ The device is maintenance-free. It is only subject to the natural wear and tear of components and their statistical failure rate.

/// Cleaning:

- ▷ For cleaning disconnect the mains plug!
- ▷ Use only cleaning agents which have been approved by IKA to clean IKA devices. These are water (with tenside) and isopropanol.
- ▷ Wear protective gloves during cleaning the devices.
- ▷ Electrical devices may not be placed in the cleansing agent for the purpose of cleaning.
- ▷ Do not allow moisture to get into the device when cleaning.
- ▷ Before using another than the recommended method for cleaning or decontamination, the user must ascertain with IKA that this method does not destroy the device.

/// Spare parts order:

- ▷ When ordering spare parts, please give:
 - › device type.
 - › serial number, see type plate.
 - › position number and description of spare part, see www.ika.com.
 - › software version.

/// Repair:

- ▷ Please only send devices in for repair that have been cleaned and are free of materials which might present health hazards.
- ▷ For repair, please request the “**Safety Declaration (Decontamination Certificate)**” from IKA or use the download printout of it from IKA website at www.ika.com.
- ▷ If your appliance requires repair, return it in its original packaging. Storage packaging is not sufficient when sending the device - also use appropriate transport packaging.



Error codes

- ▷ The fault is shown by an error code on the display as following if the error occurs.
Proceed as follows in such cases:
 - › Turn off the device by using the main switch.
 - › Carry out corrective measures.
 - › Restart the device.

Error code | Causes | Effect | Solutions

E 3

| | |
|-----------|---|
| Causes | › Temperature inside the device is too high |
| Effect | › Heating switched off |
| Solutions | › Switch off the device › Let the device cool down › Switch on the device |

E 9

| | |
|-----------|---|
| Causes | › Fault in storing the safety circuit set temperatures › Memory chip (EPROM) defective |
| Effect | › Heating switched off |
| Solutions | › Switch off the device › Let the device cool down › Switch on the device |

E21

| | |
|-----------|---|
| Causes | › Safety relay does not open |
| Effect | › Heating switched off |
| Solutions | › Switch off the device and switch on again |

E24

| | |
|-----------|---|
| Causes | › Set safety temperature exceeded |
| Effect | › Heating switched off |
| Solutions | › Switch off the device › Let the device cool down › Switch on the device |

E25

| | |
|-----------|--|
| Causes | › The heater control circuit switch (TRIAC) is faulty. › The heater or the supply line is disconnected. |
| Effect | › Heating switched off |
| Solutions | › Switch off the device and switch on again |

E26

| | |
|-----------|---|
| Causes | › Dry running |
| Effect | › Heating switched off |
| Solutions | › Switch off the device › Let the device cool down › Fill up the tempering medium › Switch on the device |

E27

| | |
|-----------|---|
| Causes | › Error in calibration |
| Effect | › Heating switched off |
| Solutions | › Switch off the device and switch on again |

E28

| | |
|-----------|---|
| Causes | › Breakage of the controller sensor |
| Effect | › Heating switched off |
| Solutions | › Switch off the device and switch on again |

E29

| | |
|-----------|---|
| Causes | › Short-circuit in the safety sensor |
| Effect | › Heating switched off |
| Solutions | › Switch off the device and switch on again |

E30

| | |
|-----------|---|
| Causes | › Short-circuit in the controller sensor |
| Effect | › Heating switched off |
| Solutions | › Switch off the device and switch on again |

E31

| | |
|-----------|---|
| Causes | › Breakage of the safety sensor |
| Effect | › Heating switched off |
| Solutions | › Switch off the device and switch on again |

E32

| | |
|-----------|---|
| Causes | › Temperature deviation is too big |
| Effect | › Heating switched off |
| Solutions | › Switch off the device and switch on again |

▷ If the actions described fails to resolve the fault or another error code is displayed then take one of the following steps:

- › contact the service department.
- › send the device for repair, including a short description of the fault.



Technical data

Power supply

| | | |
|---------------------|-----|------------------------------------|
| Voltage | VAC | 200...240 ±10 % 100...120 ±10 % |
| Frequency | Hz | 50 / 60 |
| Power input | W | 1450 |
| Power input standby | W | 3 |

Heating function

| | | |
|---|----|-------------------------|
| Heat control | - | LED |
| Set temperature resolution | K | ± 1 |
| Heating temperature min. ... max. | °C | Room temperature ... 99 |
| Heat output | W | 1400 |
| Controller oscillation (3l water / 90 °C) | K | ± 1 |
| Absolute Abweichung/Mittelwert (3l water / 90 °C) | K | ± 2 |
| Fixed safety temperature | °C | 109 |
| Filling point min. | mm | 60 |
| Filling volume max. | l | 4 |

General information

| | | |
|---|----|---------------------------|
| USB interface | - | yes |
| Protection class according to DIN EN 60529 | - | IP 21 |
| Overvoltage category | - | II |
| Permissible relative humidity | % | 80 |
| Permissible ambient temperature min. ... max. | °C | 5 ... 40 |
| Material in contact with medium | - | Stainless steel 1.4404 |
| Dimensions (W x D x H) | mm | 330 x 325 x 190 |
| Outer diameter | mm | 257 |
| Weight | kg | 3.9 |
| Inner diameter | mm | 225 |
| Inner height | mm | 130 |
| Outer height | mm | 190 |
| Class designation acc. DIN 12876 | - | I |
| Operation at a terrestrial altitude | m | max. 2000 above sea level |

Subject to technical changes!

Warranty

- ▷ In accordance with IKA warranty conditions, the warranty period is 24 months. For claims under the warranty please contact your local dealer. You may also send the device direct to our factory, enclosing the delivery invoice and giving reasons for the claim. You will be liable for freight costs.
- ▷ The warranty does not cover worn out parts, nor does it apply to faults resulting from improper use, insufficient care or maintenance not carried out in accordance with the instructions in this operating manual.



designed for scientists

IKA-Werke GmbH & Co. KG

Janke & Kunkel-Straße 10, 79219 Staufen, Germany
Phone: +49 7633 831-0, Fax: +49 7633 831-98
eMail: sales@ika.de

USA

IKA Works, Inc.
Phone: +1 910 452-7059
eMail: usa@ika.net

KOREA

IKA Korea Ltd.
Phone: +82 2 2136 6800
eMail: sales-lab@ika.kr

BRAZIL

IKA Brasil
Phone: +55 19 3772 9600
eMail: sales@ika.net.br

MALAYSIA

IKA Works (Asia) Sdn Bhd
Phone: +60 3 6099-5666
eMail: sales.lab@ika.my

CHINA

IKA Works Guangzhou
Phone: +86 20 8222 6771
eMail: info@ika.cn

POLAND

IKA Poland Sp. z o.o.
Phone: +48 22 201 99 79
eMail: sales.poland@ika.com

JAPAN

IKA Japan K.K.
Phone: +81 6 6730 6781
eMail: info_japan@ika.ne.jp

INDIA

IKA India Private Limited
Phone: +91 80 26253 900
eMail: info@ika.in

UNITED KINGDOM

IKA England LTD.
Phone: +44 1865 986 162
eMail: sales.England@ika.com

VIETNAM

IKA Vietnam Company Limited
Phone: +84 28 38202142
eMail: sales.lab-vietnam@ika.com

Discover and order the fascinating products of IKA online:
www.ika.com



IKAworlwide



IKAworlwide /// #lookattheblue



@IKAworlwide

Technical specifications may be changed without prior notice.