

# LABMATE *pro*

ENGLISH	1 – 10
DEUTSCH	11 – 20
FRANÇAIS	21 – 30
ESPAÑOL	31 – 40
PORTUGUÊS	41 – 50
POLSKI	51 – 80
РУССКИЙ	81 – 70

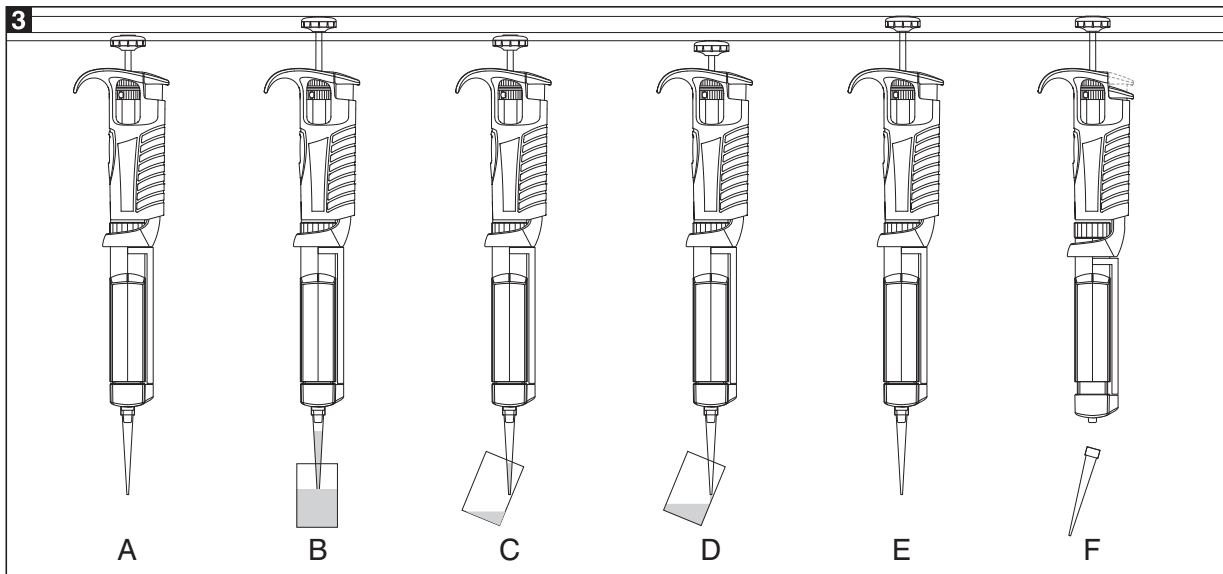
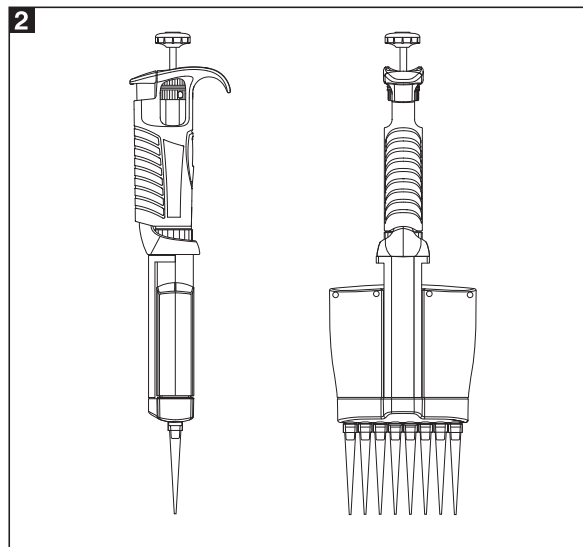
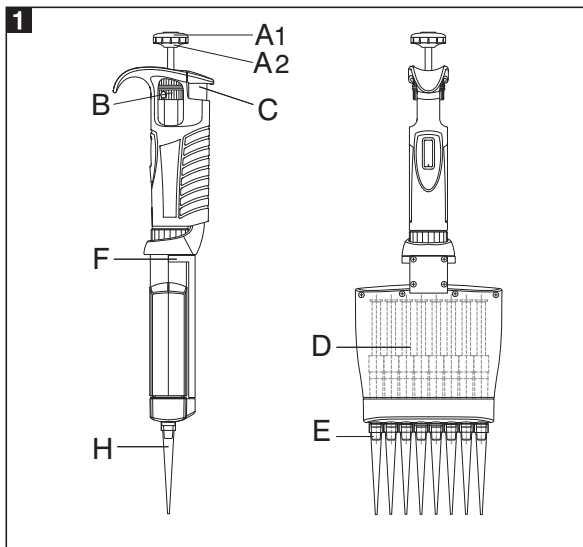
CE IVD

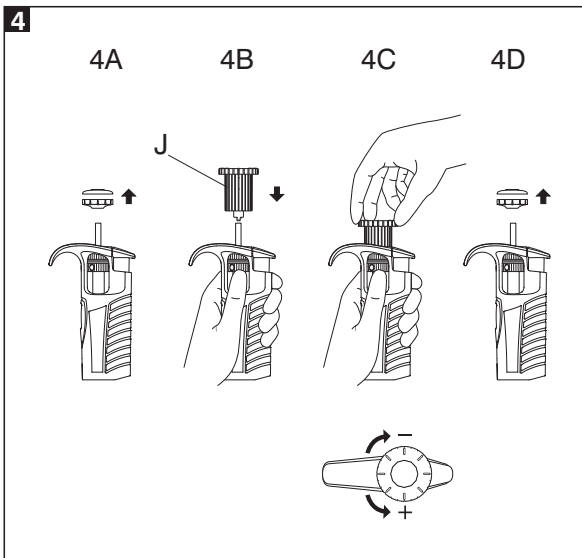


**HTL**  
HTL LAB SOLUTIONS



PZ HTL S.A. is in possession of a registered and certified quality management system which includes the development, production, and sales of high quality Liquid Handling products.





## CONTENTS

1 - INTRODUCTION
2 - SETTING THE VOLUME
3 - METHOD OF PIPETTING
4 - RECOMMENDATIONS
5 - RECALIBRATION
6 - CLEANING AND STERILIZATION
7 - PIPETTE KIT
8 - SPARE PARTS AND ACCESSORIES

## 1 - INTRODUCTION

The **LABMATE PRO** series of adjustable multichannel pipettes have been designed for the filling of laboratory microplates. The pipettes enable precise and simultaneous delivery of 8 or 12 preset-volume doses of liquid.

The pipettes are produced in four ranges of volumes: 0,5-10  $\mu\text{l}$ , 5-50  $\mu\text{l}$ , 20-200  $\mu\text{l}$ , 50-300  $\mu\text{l}$ .

The pipettes are equipped with a digital counter which shows the pipetting volume. The volume setting is done by turning the pipetting pushbutton knob (Fig. 1A2) or the black adjustment knob (Fig. 1B) in the right direction. The volume range is shown on the pipetting pushbutton (Fig. 1A1).

The pipettes should be used with polypropylene disposable tips, to ensure safety and accuracy (Fig. 1H). The shafts without O-rings ensure the compatibility of the pipettes with a broad assortment of tips, and the special ejector shape reduces the force required for their ejection. In order to protect the user against inadvertent contact with used tips, the pipettes are equipped with tip ejectors (Fig. 1F).

The pipette construction allows to rotate the multichannel module and to eject the tips through 360°, therefore, the

most convenient position may be selected to fill the microplates. It is recommended to turn the module clockwise, (Fig. 2).

The specifications for accuracy and precision given in the following table are obtained using **HTL** tips. These figures are only guaranteed when **HTL** tips are used.

### LABMATE PRO 8 channel

SPECIFICATIONS					
Model	Cat. no.	Volume [ $\mu\text{l}$ ]	Accuracy [%]	Precision [%]	Fit to tips $\mu\text{l}$
LMP8-10	6281	Min 0.5	$\pm 10.0$	$\pm 8.0$	10
		5	$\pm 4.0$	$\pm 2.0$	
		Max 10	$\pm 2.0$	$\pm 1.2$	
		Min 5	$\pm 4.0$	$\pm 2.5$	200
LMP8-50	6282	25	$\pm 3.0$	$\pm 1.2$	
		Max 50	$\pm 1.6$	$\pm 0.6$	
LMP8-200	6283	Min 20	$\pm 3.0$	$\pm 1.5$	200
		100	$\pm 1.5$	$\pm 0.8$	
		Max 200	$\pm 1.0$	$\pm 0.6$	
		Min 50	$\pm 1.6$	$\pm 1.5$	300
LMP8-300	6284	150	$\pm 1.2$	$\pm 1.0$	
		Max 300	$\pm 1.0$	$\pm 0.6$	

### LABMATE PRO 12 channel

SPECIFICATIONS					
Model	Cat. no.	Volume [ $\mu\text{l}$ ]	Accuracy [%]	Precision [%]	Fit to tips $\mu\text{l}$
LMP12-10	6285	Min 0.5	$\pm 10.0$	$\pm 8.0$	10
		5	$\pm 4.0$	$\pm 2.0$	
		Max 10	$\pm 2.0$	$\pm 1.2$	
		Min 5	$\pm 4.0$	$\pm 2.5$	200
LMP12-50	6286	25	$\pm 3.0$	$\pm 1.2$	
		Max 50	$\pm 1.6$	$\pm 0.6$	
LMP12-200	6287	Min 20	$\pm 3.0$	$\pm 1.5$	200
		100	$\pm 1.5$	$\pm 0.8$	
		Max 200	$\pm 1.0$	$\pm 0.6$	
		Min 50	$\pm 1.6$	$\pm 1.5$	300
LMP12-300	6288	150	$\pm 1.2$	$\pm 1.0$	
		Max 300	$\pm 1.0$	$\pm 0.6$	

The specifications for the volumetric performance are derived from extensive gravimetric tests according to EN ISO 8655 standard.

Condition of measurements: distilled water at temperature  $20 \pm 1^\circ\text{C}$

The pipette design enables the user to perform the recalibration process according to the rules presented in section 5.

## 2 - SETTING THE VOLUME

The volume of the pipette is set by the knob in the pipetting pushbutton (Fig. 1A2) or by the black adjustment knob (Fig. 1B). The volume shown by the counter is represented by three digits, which should be read from top to bottom. Typical meter readings are shown in the following table:

Model	Counter readings	Set volume	Basic degree
LMP8-10 LMP12-10	0 3 5	3.5 $\mu$ l	0.02 $\mu$ l
LMP8-50 LMP12-50	0 6 5	6.5 $\mu$ l	0.10 $\mu$ l
LMP8-200 LMP12-200	0 8 5	85.0 $\mu$ l	0.20 $\mu$ l
LMP8-300 LMP12-300	2 5 0	250.0 $\mu$ l	1.0 $\mu$ l

To attain the maximum accuracy, set volume must be approached from a higher value by diminishing counter readings.

- If the desired volume is lower than set volume shown by the counter, the operator should turn the pipetting pushbutton (Fig. 1A2) or the black adjustment knob (Fig. 1B) to the direction diminishing counter readings to the required volume. Before achieving the required volume slowly rotate the knob and observe carefully diminishing reading to avoid accidentally passing the setting value.
- If the desired volume is higher than set volume shown by the counter, the operator should turn the pipetting pushbutton (Fig. 1A2) or the black adjustment knob (Fig. 1B) increasing the value until the lower figure wheel comes 1/3 of a turn beyond the required setting and then slowly backward until the setting reaches the desired volume. Make sure not to pass the setting value.

If the knob is accidentally turned too far, the process must be repeated. The desired volume must always be set from the higher value in the order of decreasing value.

## 3 - METHOD OF PIPETTING

Fit the tips onto cones of the multichannel module. In order to put tips on the multichannel shafts hold the pipette vertically and press it against the tips in the rack box, until the shafts retreat about 1.5 mm into the multichannel module. The suspension system of the shafts ensures even and tight sealing of tips. The rolling movement does not have to be performed to seal the tips tightly. The liquid aspirated into the tips should not flow out by gravity from properly fixed tips. While holding the pipette in a vertical position, tips should be immersed in the liquid to a depth of 2-4 mm, and flushed once by drawing a dose of liquid and dispensing it out with slow and steady movement. Next, still holding the pipette vertically, the operator should press the pipetting button until the first resistance point is felt, and immerse the tips in the liquid to the depth of 2-4 mm, (Fig. 3B). Releasing the pipetting button with a slow and uniform movement during 2-3 seconds, the liquid should be drawn into the tips, (Fig. 3B) which should then be lifted above the liquid's surface. The pipette should next be positioned at an angle of 10-45 degrees in relation to inner walls of destination vessels and tips should be emptied by pressing the pipetting button slowly until the first resistance point is felt, (Fig. 3C). After a second, the pipetting button should be pressed to the second resistance point in order to expel remaining liquid, (Fig. 3D). Then tips should be lifted out from the vessels while maintaining contact between the ends of the tips and the inner walls of the vessel until the pipetting button has been released, (Fig. 3E). Finally, pressing the ejector button, detach the tips, (Fig. 3F).

## 4 - RECOMMENDATIONS

To achieve maximum safety, precision and reliability, the following principles should be observed:

- do not draw liquid without tips attached,
- do not lay down the pipette with tips filled,
- do not draw volumes of liquid exceeding the pipette's range,
- check if the tips are fitted properly,
- during operation, the pipette must be held vertically, tips should be immersed in liquid to the depth of 2 to 4 millimeters and the pipetting button should be depressed and released slowly and evenly,

- new tips must be pre-wetted prior to pipetting, by drawing and expelling the liquid to be measured. This is especially important when working with liquids of viscosities and densities different from that of water and in temperatures different from ambient temperature,
- when pipetting liquids which tend to wet walls of tips, such as serums, proteins or organic solvents, measuring must be performed much slower than with other liquids,
- tips must be replaced with new ones, when changing from one liquid to another, or if drops of liquid remain inside the tips.

## 5 - RECALIBRATION

**HTL** pipettes are calibrated by gravimetric method, using **HTL** tips and distilled water, at the temperature  $20 \pm 1^\circ\text{C}$ , according to EN ISO 8655 standard.

If during pipette operation you find that the accuracy error (the difference between the real aspirated volume and the preset volume) exceeds the permissible value given in the table in section 1, the pipette recalibration procedure should be carried out.

Before starting the recalibration it is necessary to check whether the following requirements have been fulfilled during error determination:

- the ambient temperature, and the temperature of the pipette, tips and water was identical
- the density of the liquid used is close to that of distilled water
- a balance with appropriate sensitivity has been used

Volume checked [ $\mu\text{l}$ ]	Balance sensitivity [mg]
0.1 - 10	$\leq 0.001$
10 - 100	$\leq 0.01$
> 100	$\leq 0.1$

- mg/ $\mu\text{l}$  conversion factor has been taken into account
- the requirements given in sections 3 and 4 have been fulfilled.

If the above conditions are satisfied and the accuracy error for selected volume given in section 1 exceeds the permissible value, the pipette recalibration procedure should be carried out.

**The recalibration can be performed within one full turn of the key to the right or to the left only.**

### Recalibration conditions:

- Ambient temperature and the temperature of the pipette, tips and liquid should be within the range  $20\text{-}25^\circ\text{C}$  and stabilised during weighing within  $\pm 0.5^\circ\text{C}$
- Measurements should be conducted using distilled water
- Balance sensitivity should be suitable for the volume to be controlled

### Recalibration procedure:

- Set the dose volume depending on the pipette volume according to the following table:

Model	Range of the pipette volumes [ $\mu\text{l}$ ]	Preset volume [ $\mu\text{l}$ ]	Permissible volumes [ $\mu\text{l}$ ]	Volume change $\Delta V$ for full turn of the calibration key [ $\mu\text{l}$ ] (24 increments)
LMP8-10 LMP12-10	0.5 - 10	0.5	0.45 - 0.55	0.33
LMP8-50 LMP12-50	5 - 50	5	4.8 - 5.2	1.67
LMP8-200 LMP12-200	20 - 200	20	19.4 - 20.6	6.30
LMP8-300 LMP12-300	50 - 300	50	49.2 - 50.8	10.00

- Perform three aspiration series (each series should include the aspirations from all channels), weigh each time and calculate the average value of the aspirations.
- Calculate average aspirated volume in [ $\mu\text{l}$ ] multiplying the average aspiration amount [mg] by the distilled water density coefficient [ $\mu\text{l}/\text{mg}$ ], which depends on temperature and pressure according to the following table:

Temperature [ $^\circ\text{C}$ ]	Pressure [kPa]		
	95.0	101.3	105.0
20	1.0028	1.0029	1.0029
21	1.0030	1.0031	1.0031
22	1.0032	1.0033	1.0033
23	1.0034	1.0035	1.0036
24	1.0037	1.0038	1.0038
25	1.0039	1.0040	1.0040

If the average aspirated volume exceeds the permissible value, the following should be done:

- Remove the pipetting pushbutton, (Fig. 4A),  
**Warning:** The pipetting pushbutton consists of 2 parts: the knob (Fig. 1A2) and the pushbutton (Fig. 1A1). After removal of the pushbutton, both parts are separated.
- Holding the volume setting knob to protect it against rotation, insert the calibration key into the cuts of the calibration screw, (Fig. 4B),
- Turn the key clockwise to reduce the aspirated volume, or counterclockwise to increase the volume. One full turn of the calibration key changes the pipette aspiration volume by the amount given in the table, (Fig. 4C),
- Take out the key and fix the pipetting pushbutton, (Fig. 4D). The pushbutton should be fixed by placing first the knob on the arbor (Fig. 1A2) and then the pushbutton (Fig. 1A1).

Determine the average aspirated volume. The average volume should be within the permissible range given in the table. If the volume exceeds the values stated, the recalibration procedure should be repeated.

More information on calibration procedure can be found on [www.htl.com.pl](http://www.htl.com.pl)

## 6 - CLEANING AND STERILIZATION

### Cleaning

External surfaces of the pipetting pushbutton, the ejector button, the handgrip, shaft and the adjustment knob may be cleaned using a cloth dampened in isopropyl alcohol.

### Warning:

Before using cleaning agents other than those recommended by the manufacturer, check the compatibility charts and consider chemical resistance of the following plastics: PP, PC, POM, PA, PPS, PVDF used to produce the pipette parts.

### Sterilization:

The pipette can be sterilized in the autoclave at 121°C for 20 minutes. After sterilization, the pipette should be dried and cooled to room temperature.

### It is recommended:

- to sterilize the pipette in autoclave with an initial vacuum and drying cycle,
- prior to sterilization to unscrew the nut connecting the handle and module slightly. After autoclaving these parts should be screwed tight again.

The precision of the results should not alter if the pipetting process and autoclaving are carried out as described in this manual. Because a slight change in the accuracy of the dosage may occur, it is recommended to:

- check the calibration of the pipette after the initial first, third and fifth autoclaving cycles and then after every 10 autoclaving cycles.

The pipettes are UV resistant which was confirmed by our tests. The recommended distance from the radiation source to exposed element should be not less than 50 cm. Prolonged and very intense UV exposure can cause de-coloration of pipette parts, without affecting its performance.

## 7 - PIPETTE KIT

The pipettes are delivered in the kits including:

- Pipette
- CD
- Short instruction manual
- Calibration key
- Pipette hanger

## 8 - SPARE PARTS AND ACCESSORIES

The spare parts for multichannel, (Fig. 1, 4):

**A: Pipetting pushbutton**    **A1: Pushbutton**    **A2: Knob**

**B: Adjustment knob**

**C: Ejector button**

**D: Piston's assembly**

**E: Shaft**

**F: Ejector**

**J: Calibration key**

**Warning: The replacement of the plunger requires conducting of calibration procedure according to section 5.**

Before returning a pipette to us for service, please ensure that the pipette is completely free of any chemical, biological or radioactive contamination or with the information on the kind of liquids that have been measured.

All rights reserved. Product described in this manual is subject to availability and technical modification. Errors excepted.

PZ HTL S.A. reserves the right to improve, enhance or otherwise modify its products without prior notification.

© 2015 PZ HTL S.A.



## INHALT

- 1 - EINLEITUNG
- 2 - VOLUMENEINSTELLUNG
- 3 - PIPETTIEREN
- 4 - WICHTIGE HINWEISE
- 5 - REKALIBRIERUNG
- 6 - REINIGUNG UND STERILISATION
- 7 - KOMPLETTIERUNG
- 8 - ERSATZTEILE UND ZUBEHÖR

## 1 - EINLEITUNG

**LABMATE PRO** Pipetten ist eine Modellreihe von variablen Mehrkanalpipetten zum Arbeiten auf Mikrotiterplatten. Die Pipetten gibt es mit 8 oder 12 Kanälen. In beiden Versionen stehen je 4 Pipetten für die Volumina 0,5 bis 10  $\mu\text{l}$ , 5 bis 50  $\mu\text{l}$ , 20 bis 200  $\mu\text{l}$  und 50 bis 300  $\mu\text{l}$  zur Verfügung.

Die Pipetten haben eine digitale Volumenanzeige. Die Volumeneinstellung erfolgt mit Hilfe der Schraube im Pipettierdruckknopf (Abb. 1A2) oder durch Drehung der schwarzen gerändelten Einstellschraube (Abb. 1B) in der entsprechenden Richtung. Der Volumenbereich wird auf dem Pipettierdruckknopf (Abb. 1A1) angegeben.

Die Einweg-Pipettenspitzen, (Abb. 1H) für Pipetten sind aus Polypropylen. Schäfte ohne O-Ringe ermöglichen den Einsatz der Pipetten mit einer breiten Palette von Spitzen. Durch die spezielle Form des Spitzenabwerfers kann die zum Abwerfen der Spitzen notwendige Kraft vermindert werden. Mit dem Spitzenabwerfer (Abb. 1F) können die gebrauchten Spitzen ohne Berührung mit der Hand abgestreift werden.

Die Konstruktion der Pipette ermöglicht die Lageänderung des Mehrkanalmoduls und Abwurf von Spitzen im Bereich von 360°, was die Wahl der günstigsten Position zum Abfüllen von Mikroplatten erlaubt. Es wird empfohlen, das Modul im Uhrzeigersinn zu drehen, (Abb. 2).

## LABMATE PRO 8-Kanal

TECHNISCHE DATEN					
Modell	Bestell-Nr.	Volumen $[\mu\text{l}]$	Genauigkeit [%]	Präzision [%]	Pipettenspitze $\mu\text{l}$
LMP8-10	6281	Min 0.5	$\pm 10.0$	$\pm 8.0$	10
		5	$\pm 4.0$	$\pm 2.0$	
		Max 10	$\pm 2.0$	$\pm 1.2$	
LMP8-50	6282	Min 5	$\pm 4.0$	$\pm 2.5$	200
		25	$\pm 3.0$	$\pm 1.2$	
		Max 50	$\pm 1.6$	$\pm 0.6$	
LMP8-200	6283	Min 20	$\pm 3.0$	$\pm 1.5$	200
		100	$\pm 1.5$	$\pm 0.8$	
		Max 200	$\pm 1.0$	$\pm 0.6$	
LMP8-300	6284	Min 50	$\pm 1.6$	$\pm 1.5$	300
		150	$\pm 1.2$	$\pm 1.0$	
		Max 300	$\pm 1.0$	$\pm 0.6$	

## LABMATE PRO 12-Kanal

TECHNISCHE DATEN					
Modell	Bestell-Nr.	Volumen $[\mu\text{l}]$	Genauigkeit [%]	Präzision [%]	Pipettenspitze $\mu\text{l}$
LMP12-10	6285	Min 0.5	$\pm 10.0$	$\pm 8.0$	10
		5	$\pm 4.0$	$\pm 2.0$	
		Max 10	$\pm 2.0$	$\pm 1.2$	
LMP12-50	6286	Min 5	$\pm 4.0$	$\pm 2.5$	200
		25	$\pm 3.0$	$\pm 1.2$	
		Max 50	$\pm 1.6$	$\pm 0.6$	
LMP12-200	6287	Min 20	$\pm 3.0$	$\pm 1.5$	200
		100	$\pm 1.5$	$\pm 0.8$	
		Max 200	$\pm 1.0$	$\pm 0.6$	
LMP12-300	6288	Min 50	$\pm 1.6$	$\pm 1.5$	300
		150	$\pm 1.2$	$\pm 1.0$	
		Max 300	$\pm 1.0$	$\pm 0.6$	

Messflüssigkeit:

- Destilliertes Wasser, Messtemperatur:  $20 \pm 1^\circ\text{C}$ .
- Diese Spezifikationen mit den angegebenen Toleranzen werden bei Anwendung einer gravimetrischen Kontrollmethode erreicht.
- Diese Spezifikationen wurden bei Verwendung von Original **HTL** - Spitzen erreicht.
- Kontrollvorschrift: Der gravimetrische Test folgt der Norm EN ISO 8655.

Die Pipette ist so konstruiert, dass der Benutzer die Rekalibrierung nach den in Kapitel 5 dargestellten Grundsätzen vornehmen kann.

## 2 - VOLUMENEINSTELLUNG

Das Pipettenvolumen wird mit Hilfe des Rädchens im Pipettierknopf (Abb. 1A2) oder des Volumeneinstellrädchens (Abb. 1B) eingestellt. Das Volumen ist stets von oben nach unten abzulesen. Die unterste Anzeige trägt außer Ziffern eine zusätzliche Feinskalierung.

### Beispiele:

Modell	Anzeige	Volumen	Skalenteilung			
LMP8-10 LMP12-10	<table border="1" style="border-collapse: collapse; text-align: center; width: 20px; height: 20px;"> <tr><td>0</td></tr> <tr><td>3</td></tr> <tr><td>5</td></tr> </table>	0	3	5	3.5 $\mu$ l	0.02 $\mu$ l
0						
3						
5						
LMP8-50 LMP12-50	<table border="1" style="border-collapse: collapse; text-align: center; width: 20px; height: 20px;"> <tr><td>0</td></tr> <tr><td>6</td></tr> <tr><td>5</td></tr> </table>	0	6	5	6.5 $\mu$ l	0.10 $\mu$ l
0						
6						
5						
LMP8-200 LMP12-200	<table border="1" style="border-collapse: collapse; text-align: center; width: 20px; height: 20px;"> <tr><td>0</td></tr> <tr><td>8</td></tr> <tr><td>5</td></tr> </table>	0	8	5	85.0 $\mu$ l	0.20 $\mu$ l
0						
8						
5						
LMP8-300 LMP12-300	<table border="1" style="border-collapse: collapse; text-align: center; width: 20px; height: 20px;"> <tr><td>2</td></tr> <tr><td>5</td></tr> <tr><td>0</td></tr> </table>	2	5	0	250.0 $\mu$ l	1.0 $\mu$ l
2						
5						
0						

Die höchste Genauigkeit wird erreicht, wenn von einem höheren Volumen ausgegangen und die Anzeige des Zählers so lange verringert wird, bis der gewünschte Wert erreicht ist.

- Wenn das gewünschte Volumen geringer ist als das auf dem Zähler eingestellte, muss die Anzeige des Zählers durch das Drehen des Rädchens im Pipettierknopf (Abb. 1A2) oder des Volumeneinstellrädchens (Abb. 1B) auf die gewünschte Größe verringert werden. Vor dem Erreichen der gewünschten Größe muss man die Drehgeschwindigkeit verringern und darauf achten, dass die einzustellende Größe nicht unterschritten wird.
- Wenn das gewünschte Volumen größer ist als das auf dem Zähler eingestellte, muss die Anzeige des Zählers durch das Drehen des Volumeneinstellrädchens auf einen Wert erhöht werden, der das gewünschte Volumen um ca. 1/3 Umdrehung der untersten Trommel überschreitet. Anschließend wird die Einstellung durch langsames Drehen auf die gewünschte Größe herabgesetzt, wobei darauf geachtet werden muss, dass sie nicht unterschritten wird.

Beim Unterschreiten der gewünschten Größe muss der Einstellvorgang wiederholt werden. Das gewünschte Volumen muss immer von einem höheren Volumen ausgehend durch die Verringerung der Anzeige des Zählers eingestellt werden.

## 3 - PIPETTIEREN

Zunächst ist der dichte Sitz der Spitzen zu kontrollieren. Beim Aufsetzen der Spitzen auf die Schäfte soll man die Pipette gegen die Spitzen im Kasten so lange andrücken, bis sich die Schäfte zum Inneren des Gehäuses um ca. 1.5 mm verschieben. Elastische Aufhängung der Schäfte gewährleistet eine exakte Abdichtung der Spitzen auf den Schäften, ohne dass man seitliche Bewegungen ausführen muss. Beim Aufsetzen der Spitzen muss die Pipette senkrecht gehalten werden. Aus korrekt angebrachten Spitzen darf die Flüssigkeit, die in die Spitzen aufgenommen wurde, infolge ihres Gewichts nicht austreten.

Den Hubknopf bis zum ersten Druckpunkt herunterdrücken und die Pipettenspitzen 2-4 mm in die aufzunehmende Flüssigkeit eintauchen. Nun wird die Probe aufgenommen, indem man den Hubknopf langsam loslässt. Anschließend nimmt man die Spitzen aus der Flüssigkeit und achtet darauf, dass keine Tropfen daran hängen bleiben; gegebenenfalls sind diese vorsichtig am Rand des Vorlagegefäßes abzustreifen.

Zum Auspipettieren hält man die Pipette in einem Winkel von ca. 10-45° und legt die Spitzen an die Innenwand der Mikro-Kavitäten an. Nun drückt man den Hubknopf langsam bis zum ersten Druckpunkt und nach einer Sekunde Verzögerung bis zum unteren Anschlag herunter, um die restliche Flüssigkeit vollkommen auszustoßen. Jetzt kann man die Pipette mit gedrücktem Hubknopf anheben, wobei die Spitzen an der Wand der Kavitäten entlang gezogen werden, (Abb. 3C+D). Anschließend lässt man den Hubknopf los und kann durch Drücken des Abwerferknopfes die Spitzen abstreifen, (Abb. 3E + F).

## 4 - WICHTIGE HINWEISE

Um über lange Zeit mit einer Mehrkanalpipette exakt, sicher und störungsfrei arbeiten zu können, sollten die nachstehenden Hinweise unbedingt beachtet werden:

- niemals ohne aufgesetzte Spitzen arbeiten,

- niemals eine Pipette mit gefüllten Spitzen hinlegen,
- stets darauf achten, dass auch alle Spitzen dicht aufgesetzt sind,
- beim Aufnehmen von Proben sollen die Spitzen nie tiefer als max. 4 mm eintauchen,
- beim Wechsel der zu pipettierenden Flüssigkeit sind auch die Spitzen zu erneuern,
- wenn in den Spitzen Flüssigkeitsreste hängenbleiben, müssen neue Spitzen verwendet werden,
- zum genauen Pipettieren von Flüssigkeiten mit einer höheren Viskosität oder einer geringeren Oberflächenspannung als Wasser (Seren, Detergenzien, Lösungsmittel) müssen die Spitzen vorgespült werden. Dazu saugt man die Flüssigkeit einmal ein und dosiert gleich wieder zurück, ohne dabei die Spitzen aus der Flüssigkeit zu nehmen. Erst nach dem zweiten Ansaugen wird quantitativ auspipettiert,
- gleiches gilt für das Pipettieren von Flüssigkeiten, deren Temperatur deutlich von der Umgebung abweicht, hierbei ist mehrmaliges Vorspülen angeraten.

## 5 - REKALIBRIERUNG

**HTL**-Pipetten sind nach dem gravimetrischen Verfahren kalibriert, unter Einsatz von **HTL**-Spitzen und destilliertem Wasser, bei einer Temperatur von  $20 \pm 1^\circ\text{C}$  gemäß der Norm EN ISO 8655.

Falls bei der Benutzung der Pipette festgestellt wird, dass der Genauigkeitsfehler (Differenz zwischen dem Istwert des entnommenen Volumens und dem Sollwert) den zulässigen Wert überschreitet, der in der Tabelle in Kapitel 1 angegeben wird, ist eine Rekalibrierung der Pipette vorzunehmen.

Vor dem Beginn der Rekalibrierung ist zu prüfen, ob bei der Bestimmung des Fehlers die unten stehenden Bedingungen erfüllt wurden:

- Die Temperatur der Umgebung, der Pipette, der Spitzen und des Wassers war identisch.
- Die Dichte der verwendeten Flüssigkeit hatte einen Wert, der dem von destilliertem Wasser nahe lag.
- Es wurde eine Waage von entsprechender Empfindlichkeit eingesetzt.

Geprüftes Volumen [ $\mu\text{l}$ ]	Empfindlichkeit der Waage [mg]
0.1 - 10	$\leq 0.001$
10 - 100	$\leq 0.01$
> 100	$\leq 0.1$

- Der Umrechnungsfaktor  $\text{mg}/\mu\text{l}$  wurde berücksichtigt.
- Die in den Kapiteln 3 und 7 angeführten Anforderungen wurden erfüllt. Falls die obigen Bedingungen erfüllt wurden, und der Genauigkeitsfehler für das ausgewählte Volumen, angegeben in Kapitel 1, den zulässigen Wert überschreitet, ist eine Rekalibrierung der Pipette vorzunehmen.

Modell	Volumenbereich der Pipette [ $\mu\text{l}$ ]	Eingestelltes Volumen [ $\mu\text{l}$ ]	Zulässige Werte [ $\mu\text{l}$ ]	Volumenänderung bei voller Umdrehung des Kalibrierschlüssels [ $\mu\text{l}$ ] (24 Skalenteilungen)
LMP8-10 LMP12-10	0.5 - 10	0.5	0.45 - 0.55	0.33
LMP8-50 LMP12-50	5 - 50	5	4.8 - 5.2	1.67
LMP8-200 LMP12-200	20 - 200	20	19.4 - 20.6	6.30
LMP8-300 LMP12-300	50 - 300	50	49.2 - 50.8	10.00

**Die Rekalibrierung kann nur im Bereich jeweils einer vollen Umdrehung des Schlüssels nach links oder rechts ausgeführt werden.**

### Bedingungen einer Rekalibrierung:

- Die Temperatur der Umgebung, der Pipette, der Spitze und der Flüssigkeit soll in den Grenzen von  $20 - 25^\circ\text{C}$  liegen und beim Wägen im Bereich  $\pm 0,5^\circ\text{C}$  stabilisiert werden.
- Bei den Messungen ist destilliertes Wasser zu verwenden.
- Die Empfindlichkeit der Waage muss dem geprüften Volumen entsprechen.

### Verfahrensweise bei der Rekalibrierung:

- Dosisvolumen je nach dem Volumen der Pipette gemäß der folgenden Tabelle einstellen.
- Drei Entnahmeserien ausführen (je Serie Entnahme aus sämtlichen Kanälen), jedesmal wägen und den Mittelwert dieser Entnahmen ermitteln.
- Das mittlere entnommene Volumen in [ $\mu\text{l}$ ] berechnen, indem der Mittelwert der Entnahmen in [mg] durch den

temperatur- und druckabhängigen Dichtekoeffizienten des destillierten Wassers [ $\mu\text{l}/\text{mg}$ ] gemäß der folgenden Tabelle multipliziert wird.

Temperatur [°C]	Druck [kPa]		
	95.0	101.3	105.0
20	1.0028	1.0029	1.0029
21	1.0030	1.0031	1.0031
22	1.0032	1.0033	1.0033
23	1.0034	1.0035	1.0036
24	1.0037	1.0038	1.0038
25	1.0039	1.0040	1.0040

Wenn das mittlere entnommene Volumen über den zulässigen Werten liegt, ist folgendermaßen vorzugehen:

**Hinweis: Der Pipettierdruckknopf besteht aus zwei Teilen: einer Schraube (Abb. 1A2) und einem Druckknopf (Abb. 1A1). Nach der Abnahme des Druckknopfes werden beide Teile voneinander getrennt.**

- Die Einstellschraube so halten, dass sie vor einer Umdrehung gesichert ist, und den Kalibrierschlüssel in die Kanäle der Kalibrierschraube einstecken. (Abb. 4B)
- Zwecks Verringerung des entnommenen Volumens den Schlüssel im Uhrzeigersinn bzw. entgegen dem Uhrzeigersinn zwecks Erhöhung des entnommenen Volumens drehen. Je eine volle Umdrehung des Kalibrierschlüssels ändert das zu entnehmende Volumen der Pipette um die in der Tabelle angegebenen Werte, (Abb 4C),
- Den Kalibrierschlüssel entfernen und den Pipettierdruckknopf einsetzen (Abb. 4D). Der Pipettierdruckknopf wird eingebaut, indem man zuerst die Schraube (Abb. 1A2) und dann den Druckknopf (Abb. 1A1) auf der Druckstange befestigt.

Mittleres entnommenes Volumen bestimmen. Das mittlere Volumen soll im Bereich der zulässigen Werte liegen, die in der Tabelle angegeben sind. Wenn dieses Volumen die angegebenen Werte überschreitet, ist die Rekalibrierung zu wiederholen.

Mehr Informationen über die Kalibrierung sind der Seite [www.htl.com.pl](http://www.htl.com.pl) zu entnehmen.

## 6 - REINIGUNG UND STERILISATION

### Reinigung:

Die Außenflächen des Pipettierdruckknopfes, des Abwerferknopfes, des Handgriffs und der Kalibrierschraube kann man mit einem mit Isopropanol getränkten Tuch reinigen.

### Achtung:

Vor dem Einsatz von anderen Reinigungsmitteln als vom Hersteller empfohlen, nehmen Sie bitte Einsicht in die Tabellen für die Verträglichkeit von Werkstoffen, aus denen die Pipettenteile ausgeführt sind: PP, PC, POM, PA, PPS, PVDF.

### Sterilisation:

Die komplette Pipette kann im Autoklaven 20 Minuten lang bei einer Temperatur von 121°C sterilisiert werden. Nach der Sterilisation muss die Pipette getrocknet und auf Zimmertemperatur abgekühlt werden.

### Es empfiehlt sich:

- Pipetten in einem Autoklaven mit Vakuumvorbehandlung und Trocknung zu sterilisieren,
  - vor der Sterilisation die Mutter, die das Modul befestigt, leicht zu lösen. Nach der Autoklavenbehandlung muss die Mutter wieder angezogen werden.
- Bei sachgemäßem Gebrauch und vorschriftsgemäßer Autoklavenbehandlung bleibt die Wiederholbarkeit der Ergebnisse erhalten. Weil eine minimale Änderung der Dosiergenauigkeit auftreten kann, wird empfohlen,
- die Kalibrierung der Pipetten nach 1, 3 und 5 und dann nach jeden 10 Autoklavenzyklen zu prüfen.

Die Pipetten sind gegen UV-Strahlung beständig, was durch unsere Tests bestätigt wurde. Der empfohlene Abstand zwischen der Strahlungsquelle und dem bestrahlten Element sollte mindestens 50 cm betragen. Zu lang andauernde, intensive Bestrahlung kann eine geringe Änderung der Ästhetik farbiger Elemente des Pipetten verursachen, ohne die Parameter des Pipetten zu beeinflussen.

## 7 - KOMPLETTIERUNG

Die Pipetten sind mit folgenden Komponenten geliefert:

- Pipette
- CD
- Kurz Bedienungsanleitung
- Kalibrierschlüssel
- Ständer für pipetten

## 8 - ERSATZTEILE UND ZUBEHÖR

Pipettenteile (Abb. 1, 4):

**A: Pipettierdruckknopf A1: Druckknopf A2: Schraube**

**B: Volumeneinstellschraube**

**C: Abwerferdruckknopf**

**D: Kolbeneinheit**

**E: Schaft**

**F: Abwerfer**

**J: Kalibrierschlüssel**

Können Sie bei der zuständigen HTL-Vertretung bestellen. Bei der Bestellung bitte die genaue Bezeichnung des Teiles und das entsprechende Pipettenmodell angeben.

**Zur Beachtung: Der Austausch der Kolbeneinheit bedarf einer Kalibrierung gemäß Kapitel 5.**

Reparaturen an den volumenbestimmenden Teilen können nur von einem autorisierten Service ausgeführt werden. Die defekten Pipetten sind vor der Reparatur vom Anwender zu desinfizieren und zu dekontaminieren.

Alle Rechte vorbehalten. Die in der vorliegenden Anweisung beschriebenen Produkte sind in begrenztem Umfang erhältlich und unterliegen technischen Änderungen. Die Fehler sind zulässig.

PZ HTL S.A. behält sich das Recht vor, Verbesserungen oder ähnliche Modifizierungen seiner Produkte ohne vorherige Mitteilung vorzunehmen.

© 2015 PZ HTL S.A.

## SOMMAIRE

- 1 - GENERALITES
- 2 - REGLAGE DE VOLUME
- 3 - MODE D'UTILISATION DES PIPETTES
- 4 - CONSEILS D'EXPLOITATION
- 5 - RECALIBRAGE
- 6 - NETTOYAGE ET STERILISATION
- 7 - CONTENU DE L' EMBALLAGE
- 8 - PIECES DÉTACHÉES ET ACCESSOIRES

## 1 - GENERALITES

Les pipettes **LABMATE PRO** est une famille de pipettes multi-canaux réglables destinées à remplir les lamelles de laboratoire.

Les pipettes de cette famille permettent d'effectuer des mesures simultanées de 8 à 12 doses d'un liquide de volume déterminé avec grande précision. Les pipettes sont produites en quatre versions de capacités: de 0.5  $\mu\text{l}$  à 10  $\mu\text{l}$ , de 5  $\mu\text{l}$  à 50  $\mu\text{l}$ , de 20  $\mu\text{l}$  à 200  $\mu\text{l}$  et de 50  $\mu\text{l}$  à 300  $\mu\text{l}$ .

Les pipettes sont équipées d'un volumètre numérique. Le volume réglé est visible dans la fenêtre de l'embout. Le réglage du volume s'effectue à l'aide de la vis du bouton poussoir (Fig. 1A2) ou en tournant la vis de réglage de volume (Fig. 1B) ou en tournant la vis de réglage noire (Fig. 1B) dans le sens souhaité. Le volume est inscrit sur le bouton poussoir (Fig. 1A1).

Les pipettes s'utilisent avec des embouts jetables en polypropylène, qui assurent le maximum de sécurité à l'utilisateur (Fig. 1H). Les manches sans les O-rings assurent la compatibilité entre les pipettes et un large assortiment de cônes (embouts). La forme de l'éjecteur diminue la force nécessaire pour leur enlèvement. Dans le but de protéger l'utilisateur du contact avec un embout usé, les pipettes sont munies d'un éjecteur d'embout voir, (Fig. 1F).

La construction de la pipette permet de changer l'emplacement du module multicanal et d'éjecter des embouts dans le champ de 360°, ce qui donne la possibilité de choisir la meilleure position pour remplir les microplaques.

tes. Il est recommandé de tourner le module dans l'ordre des aiguilles d'une montre.

Le résultats de justesse et de fidélité figurant dans le tableau ci-dessous sont obtenus avec des "cones **HTL** véritables".

### LABMATE PRO 8 canaux

CARACTERISTIQUES					
Modèle	Référence	Volume [ $\mu\text{l}$ ]	Erreur de précision [%]	Erreur de répétabilité [%]	Cônes $\mu\text{l}$
LMP8-10	6281	Min 0.5	$\pm 10.0$	$\pm 8.0$	10
		5	$\pm 4.0$	$\pm 2.0$	
		Max 10	$\pm 2.0$	$\pm 1.2$	
LMP8-50	6282	Min 5	$\pm 4.0$	$\pm 2.5$	200
		25	$\pm 3.0$	$\pm 1.2$	
		Max 50	$\pm 1.6$	$\pm 0.6$	
LMP8-200	6283	Min 20	$\pm 3.0$	$\pm 1.5$	200
		100	$\pm 1.5$	$\pm 0.8$	
		Max 200	$\pm 1.0$	$\pm 0.6$	
LMP8-300	6284	Min 50	$\pm 1.6$	$\pm 1.5$	300
		150	$\pm 1.2$	$\pm 1.0$	
		Max 300	$\pm 1.0$	$\pm 0.6$	

### LABMATE PRO 12 canaux

CARACTERISTIQUES					
Modèle	Référence	Volume [ $\mu\text{l}$ ]	Erreur de précision [%]	Erreur de répétabilité [%]	Cônes $\mu\text{l}$
LMP12-10	6285	Min 0.5	$\pm 10.0$	$\pm 8.0$	10
		5	$\pm 4.0$	$\pm 2.0$	
		Max 10	$\pm 2.0$	$\pm 1.2$	
LMP12-50	6286	Min 5	$\pm 4.0$	$\pm 2.5$	200
		25	$\pm 3.0$	$\pm 1.2$	
		Max 50	$\pm 1.6$	$\pm 0.6$	
LMP12-200	6287	Min 20	$\pm 3.0$	$\pm 1.5$	200
		100	$\pm 1.5$	$\pm 0.8$	
		Max 200	$\pm 1.0$	$\pm 0.6$	
LMP12-300	6288	Min 50	$\pm 1.6$	$\pm 1.5$	300
		150	$\pm 1.2$	$\pm 1.0$	
		Max 300	$\pm 1.0$	$\pm 0.6$	

Conditions de contrôle: eau distillée à température de  $20 \pm 1^\circ\text{C}$ .

Les spécifications des performances volumétriques de la pipette multicanaux sont le résultat de tests gravimétriques rigoureux décrits dans les recommandations de EN ISO 8655.

La construction de la pipette permet à l'utilisateur le recalibrage selon les principes présentés dans le chapitre 5.

## 2 - REGLAGE DE VOLUME

Le volume de la pipette est réglé avec la vis du bouton poussoir (Fig. 1A2) ou avec la vis de réglage du volume (Fig. 1B). Ce volume se compose de trois chiffres qui doivent être lus de haut en bas. Un exemple d'indication du compte est présenté au tableau:

Modèle	Indication du compteur	Volume	Échelon
LMP8-10 LMP12-10	0 3 5	3.5 $\mu$ l	0.02 $\mu$ l
LMP8-50 LMP12-50	0 6 5	6.5 $\mu$ l	0.10 $\mu$ l
LMP8-200 LMP12-200	0 8 5	85.0 $\mu$ l	0.20 $\mu$ l
LMP8-300 LMP12-300	2 5 0	250.0 $\mu$ l	1.0 $\mu$ l

Pour obtenir une précision maximale, le volume demandé doit être réglé à partir d'un volume plus élevé, par la réduction des valeurs sur le compteur.

- Si le volume demandé est inférieur à la valeur réglée sur le compteur, il faut tourner la vis du bouton poussoir (Fig. 1A2) ou la vis de réglage du volume (Fig.1B) pour réduire la valeur sur le compteur jusqu'à la valeur demandée. Avant d'arriver à la valeur demandée, il faut réduire la vitesse de rotation de la vis et faire attention à ne pas dépasser la valeur à régler.
- Si le volume demandé est supérieur à la valeur réglée sur le compteur, il faut tourner la vis de réglage du volume pour augmenter la valeur sur le compteur à la valeur qui dépassera la valeur demandée d'environ 1/3 de tour du barillet le plus bas. Ensuite, en tournant lentement la vis, il faut réduire la valeur réglée à la valeur demandée en faisant attention à ne pas la dépasser.

Si la valeur demandée est dépassée, le processus de réglage doit être répété. Le volume demandé doit être toujours réglé à partir d'une valeur supérieure par la réduction des valeurs indiquées sur le compteur.

## 3 - MODE D'UTILISATION DES PIPETTES

Mettre les embouts sur le module multicanal. En montant les cônes sur les embouts, il faut appuyer la pipette sur les cônes placés dans la boîte, jusqu'à ce que les embouts s'enfoncent de 1.5mm environ. Une suspension souple des embouts permet de faire un raccordement étanche des cônes sur les embouts sans que les mouvements rotatifs soient nécessaires. Pendant la fixation des cônes, la pipette doit être maintenue dans une position verticale. Quand les cônes sont correctement installés, le liquide prélevé ne doit pas s'écouler sous son propre poids. La pipette doit être tenue verticalement et être immergée de 2 à 4 mm dans le liquide à mesurer. Il faut en même temps rincer la pipette en aspirant et éjectant le liquide d'un mouvement lent et régulier. Ensuite, tout en conservant la position horizontale de la pipette, presser le bouton-poussoir jusqu'à la première résistance, et reimmerger les embouts de la pipette de 2 à 4 mm dans le liquide prélevé, (Fig. 3B). Afin de prélever le liquide dans les embouts relâcher lentement le bouton-poussoir pendant 2 à 3 secondes (Fig. 3B) et sortir les embouts, du liquide. Tout en conservant la pipette inclinée de 10 à 45° vers le bord intérieur du récipient, vider le contenu des embouts en appuyant le bouton-poussoir jusqu'à la première résistance, (Fig. 3C). Après une pose d'environ une seconde, enfoncer le bouton-poussoir jusqu'à la seconde résistance, pour expulser les restes de liquide, (Fig. 3D) et ensuite sortir les embouts en effleurant légèrement l'intérieur du récipient, (Fig. 3E). Ensuite, appuyer sur le bouton éjecteur pour séparer les embouts du module multi-canal, (Fig. 3F).

## 4 - CONSEILS D'EXPLOITATION

Afin d'assurer le maximum de sécurité, de précision et de fiabilité de la pipette, observer les consignes suivantes:

- ne pas aspirer le liquide avec une pipette sans embouts,
- ne jamais poser la pipette tant que les embouts sont remplis de liquide,
- ne jamais aspirer plus de liquide que la valeur limite indiquée sur la pipette,
- s'assurer que les embouts ont été correctement installés,
- garder la pipette verticalement, veiller à ce que les embouts soient immergés de 2 à 4 mm dans le liquide, et relâcher le bouton-poussoir d'une manière lente et régulière,

- avant de se servir de la pipette, rincer les embouts nouvellement montés, ce qui est particulièrement important pour les liquides de viscosité et densité différentes de l'eau, et de température autre que la température ambiante,
- en aspirant les liquides particulièrement visqueux (sérum, protéines, dissolvants organiques) toujours procéder plus lentement qu'avec d'autres liquides,
- remplacer les embouts à chaque changement de liquide, de dose mesurée, et à l'apparition de gouttes sur les embouts après la mesure.

## 5 - RECALIBRAGE

Les pipettes HTL sont calibrées à l'aide de la méthode gravimétrique, avec l'utilisation des cônes HTL et de l'eau distillée, à une température de  $20 \pm 1^\circ\text{C}$ , conformément à la norme EN ISO 8655.

Dans le cas si vous constatez, pendant l'utilisation de la pipette, que l'erreur de précision (différence entre le volume réel prélevé et le volume fixé) dépasse la valeur admissible, présentée dans le tableau au chapitre I, il faudrait procéder au recalibrage de la pipette. Avant de procéder au recalibrage, vérifiez les conditions dans lesquelles vous avez déterminé l'erreur de précision A, et assurez-vous, que:

- la température ambiante et celles de la pipette et de l'eau, sont identiques,
- le liquide utilisé a une densité pareille à la celle de l'eau distillée,
- la balance que vous utilisez a une sensibilité appropriée,

Volume vérifié [ $\mu\text{l}$ ]	Sensibilité de la 1 balance [mg]
0,1 - 10	$\leq 0,001$
10 - 100	$\leq 0,01$
> 100	$\leq 0,1$

- vous avez pris en considération le facteur de conversion mg/ $\mu\text{l}$ ,
- vous vous conformez aux exigences décrites dans les chapitres 3 et 4.

Quand les conditions susmentionnées sont accomplies et l'erreur de précision, pour le volume choisi, présenté au chapitre I, dépasse la valeur admissible, il faut procéder au recalibrage de la pipette.

**Le recalibrage peut être effectué seulement dans les limites d'un seul tour de clé, dans l'un ou l'autre sens.**

### Les conditions de recalibrage:

- la température de l'entourage, de la pipette, des cônes et de l'eau doit être de  $20$  à  $25^\circ\text{C}$  stabilisée pendant le pesage, dans les limites de  $\pm 0,5^\circ\text{C}$ ,
- pour les mesures, utilisez de l'eau distillée
- la sensibilité de la balance doit être adéquate au volume vérifié,
- fixer le volume de la dose, selon la capacité de la pipette, conformément aux données du tableau ci-dessous:

Modèle	Capacité de la pipette [ $\mu\text{l}$ ]	Volume fixé [ $\mu\text{l}$ ]	Valeurs admissibles [ $\mu\text{l}$ ]	Changement du volume pour un tour complet de la clé de calibrage $\Delta V$ [ $\mu\text{l}$ ] (24 échelons)
LMP8-10 LMP12-10	0.5 - 10	0.5	0.45 - 0.55	0.33
LMP8-50 LMP12-50	5 - 50	5	4.8 - 5.2	1.67
LMP8-200 LMP12-200	20 - 200	20	19.4 - 20.6	6.30
LMP8-300 LMP12-300	50 - 300	50	49.2 - 50.8	10.00

- Effectuer 3 séries de prélèvements (chaque série signifie la prise de tous les canaux), les peser chaque fois et calculer leur valeur moyenne.
- calculez le volume moyen prélevé en [ $\mu\text{l}$ ], en multipliant la moyenne des prélèvements [mg] par le coefficient de la densité de l'eau distillée [ $\mu\text{l}/\text{mg}$ ]. Celui-ci dépend de la température et de la pression comme le montre le tableau ci-dessous:

Si cette différence dépasse les valeur admissibles, il faut:

Température [ $^\circ\text{C}$ ]	Pression [kPa]		
	95.0	101.3	105.0
20	1.0028	1.0029	1.0029
21	1.0030	1.0031	1.0031
22	1.0032	1.0033	1.0033
23	1.0034	1.0035	1.0036
24	1.0037	1.0038	1.0038
25	1.0039	1.0040	1.0040



- enlever le bouton poussoir de la pipette (dessin 4A), **Attention: Le bouton poussoir est composé de deux pièces: vis (Fig. 1A2) et bouton (Fig. 1A1). Après le démontage du bouton poussoir, les deux pièces se séparent.**
- tenant le tourne-à-gauche de fixation de la capacité, de façon à interdire sa rotation, introduire la clé de calibrage dans les canaux de la vis de calibrage (Fig. 4B),
- tourner la clé dans le sens des aiguilles d'une montre pour diminuer la valeur (volume) prélevé, ou contre le sens des aiguilles d'une montre, pour augmenter le volume prélevé. Un tour complet de la clé change le volume prélevé de la pipette conformément aux valeurs présentées dans le tableau (Fig. 4C),
- enlever la clé de calibrage et remettre le bouton poussoir (Fig. 4D). Il faut d'abord monter la vis (Fig. 1A2) sur l'embout et ensuite le bouton (Fig. 1A1).

Fixer le volume moyen prélevé. Le volume moyen doit se tenir dans l'étendue des valeurs admissibles, présentées dans le tableau. Si ce volume dépasse les valeurs mentionnées, le recalibrage doit être répété.

Vous trouverez plus d'informations au sujet du calibrage à la page [www.htl.com.pl](http://www.htl.com.pl)

## 6 - NETTOYAGE ET STERILISATION

### Nettoyage:

Les parties extérieures du bouton poussoir, du bouton de l'éjecteur, de l'embout et de la bague de calibration peuvent être nettoyées avec un tampon imbibé d'alcool isopropylique.

### Attention:

Avant d'utiliser des produits de nettoyage autres que ceux recommandés par le fabricant, vérifiez les tableaux de compatibilité des matières dont la pipette est constituée: PP, PC, POM, PA, PPS, PVDF.

### Stérilisation:

La pipette peut être stérilisée, dans sa totalité, dans un autoclave à la température de 121°C pendant 20 minutes. Après la stérilisation, la pipette doit être séchée et refroidie à la température ambiante.

### On recommande:

- de stériliser les pipettes dans un autoclave avec un cycle du vide primaire et du séchage,
- de dévisser légèrement l'écrou fixant le module avant la stérilisation. Après la stérilisation, l'écrou doit être resserré.

Dans les conditions correctes d'exploitation et de stérilisation dans un autoclave, la reproduction des résultats obtenus ne change pas. Il peut y avoir une légère modification de l'exactitude du dosage. C'est pourquoi, on recommande:

- de vérifier le calibrage des pipettes après 1, 3 et 5 stérilisations dans un autoclave, et ensuite toutes les 10 stérilisations.

La pipette est résistante aux rayons UV, ce qui a été prouvé par nos tests. Il est recommandé de ne pas dépasser la longueur de 50 cm entre une source de rayonnement et un élément exposé aux rayons. Une exposition longue et intense aux rayons UV pourrait entraîner des légères modifications de l'aspect esthétique des éléments de couleur, sans altérer des paramètres du pipette.

## 7 - CONTENU DE L' EMBALLAGE

Les pipettes sont fournies dans une complétion suivante:

- pipette,
- CD,
- notice d'instruction sommaire,
- clé de calibrage,
- support.

**8 - PIÈCES DÉTACHÉES ET ACCESSOIRES**

Les parties présentées sur la Fig. 1, 4:

**A: Bouton poussoir de pipettage**    **A1: Bouton**    **A2: Vis**

**B: Vis de réglage de volume**

**C: Bouton de l'éjecteur**

**D: Ecrou raccord**

**E: Embout**

**F: Ejecteur**

**J: Clé de calibrage**

Vous pouvez les obtenir chez le représentant **HTL**.

En commandant les pipettes donnez le nom de la partie et le type de la pipette.

**Attention: Après chaque changement de l'ensemble du piston-plongeur il faut procéder au calibrage conformément aux instructions du chapitre 5.**

Avant de renvoyer votre pipette à votre représentant **HTL**, assurez-vous que l'instrument n'est pas contaminé (contamination chimique, biologique ou radioactive).

Tous les droits réservés. Les produits décrits dans le présent mode d'emploi sont disponibles dans un cadre limité et sont soumis à des changements techniques. Les erreurs sont possibles .

PZ HTL S.A. se réserve le droit d'améliorer ou de modifier ses produits sans en aviser quiconque au préalable.

© 2015 PZ HTL S.A.

## CONTENDIO

- 1 - INTRODUCCIÓN
- 2 - AJUSTE DE VOLUMEN
- 3 - MODO DE PIPETACIÓN
- 4 - INFORMACIONES DE EXPLOTACIÓN
- 5 - RECALIBRACIÓN
- 6 - LIMPIEZA Y ESTERILIZACIÓN
- 7 - JUEGO DE ENTREGA
- 8 - PIEZAS DE REPUESTO Y ACCESORIOS

## 1 - INTRODUCCIÓN

Las pipetas **LABMATE PRO** es toda una familia de pipetas ajustables multicanales que sirven para llenar microlaminas de laboratorio. Las pipetas de esta familia posibilitan de forma precisa y exacta medir simultáneamente 8 o 12 dosis de un volumen ajustado de líquido.

Se fabrica cuatro tipos de las pipetas, dependientemente de volumen medido, de 0.5  $\mu\text{l}$  a 10  $\mu\text{l}$ , de 5  $\mu\text{l}$  a 50  $\mu\text{l}$ , de 20  $\mu\text{l}$  a 200  $\mu\text{l}$  o de 50  $\mu\text{l}$  a 300  $\mu\text{l}$ .

Las pipetas vienen con un indicador de volumen digital. El volumen ajustado aparece en la ventanilla de visualización del mango. El volumen del líquido a dispensar se ajusta con el tornillo del botón pulsador (fig. 1A2) o girando la rueda dentada de graduación del volumen de color negro (fig. 1B) hacia la dirección adecuada. El volumen de cada pipeta está indicado en el botón pulsador (fig. 1A1).

Las pipetas colaboran con boquillas de un solo uso, fabricadas de polipropileno, que garantizan seguridad máxima del uso (fig. 1H). La falta de anillos (o-ring) hace posible el uso de las pipetas con una amplia gama de puntas. Estas, a su vez, se quitan fácilmente gracias un eyector de forma especial. Con el fin de proteger al usuario de un contacto con boquilla usada las pipetas tienen eyectores de boquillas (fig. 1F).

La construcción de la pipeta posibilita el cambio de la posición del módulo multicanal y la expulsión de las puntas en el margen de 360° lo que permite la elección

de la más cómoda posición para el relleno de las microplacas. Se recomienda el giro del módulo en el sentido conforme con las manecillas del reloj.

Los números de exactitud y precisión presentados en la tabla que sigue han sido alcanzados con el uso de las puntas **HTL**.

### LABMATE PRO 8 canales

CARACTERÍSTICAS					
Modelo	Referencia	Volumen [ $\mu\text{l}$ ]	Exactitud [%]	Precisión [%]	Punta $\mu\text{l}$
LMP8-10	6281	Min 0.5	$\pm 10.0$	$\pm 8.0$	10
		5	$\pm 4.0$	$\pm 2.0$	
		Max 10	$\pm 2.0$	$\pm 1.2$	
LMP8-50	6282	Min 5	$\pm 4.0$	$\pm 2.5$	200
		25	$\pm 3.0$	$\pm 1.2$	
		Max 50	$\pm 1.6$	$\pm 0.6$	
LMP8-200	6283	Min 20	$\pm 3.0$	$\pm 1.5$	200
		100	$\pm 1.5$	$\pm 0.8$	
		Max 200	$\pm 1.0$	$\pm 0.6$	
LMP8-300	6284	Min 50	$\pm 1.6$	$\pm 1.5$	300
		150	$\pm 1.2$	$\pm 1.0$	
		Max 300	$\pm 1.0$	$\pm 0.6$	

### LABMATE PRO 12 canales

CARACTERÍSTICAS					
Modelo	Referencia	Volumen [ $\mu\text{l}$ ]	Exactitud [%]	Precisión [%]	Punta $\mu\text{l}$
LMP12-10	6285	Min 0.5	$\pm 10.0$	$\pm 8.0$	10
		5	$\pm 4.0$	$\pm 2.0$	
		Max 10	$\pm 2.0$	$\pm 1.2$	
LMP12-50	6286	Min 5	$\pm 4.0$	$\pm 2.5$	200
		25	$\pm 3.0$	$\pm 1.2$	
		Max 50	$\pm 1.6$	$\pm 0.6$	
LMP12-200	6287	Min 20	$\pm 3.0$	$\pm 1.5$	200
		100	$\pm 1.5$	$\pm 0.8$	
		Max 200	$\pm 1.0$	$\pm 0.6$	
LMP12-300	6288	Min 50	$\pm 1.6$	$\pm 1.5$	300
		150	$\pm 1.2$	$\pm 1.0$	
		Max 300	$\pm 1.0$	$\pm 0.6$	

Especificaciones para explotación volumétrica de pipetas multicanales proviene de los tests gravimétricos extensivos, con arreglo a la norma EN ISO 8655.

Condiciones de medida: agua destilada a temperatura de  $20 \pm 1^\circ\text{C}$ .

La pipeta puede ser calibrada por el propio usuario siguiendo los pasos indicados en el apartado 5.

## 2 - AJUSTE DE VOLUMEN

Se ajusta el volumen de la pipeta con el tornillo del botón pulsador (fig. 1A2) o la rueda de graduación del volumen (fig.1B). El volumen demostrado por el contador está compuesto de tres dígitos, que hay que leer de arriba hacia abajo. Un ejemplo de las indicaciones de contador demuestra el cuadro:

Modelo	Indicación du contador	Volumen ajustado	División elemental			
LMP8-10 LMP12-10	<table border="1" style="border-collapse: collapse; text-align: center;"> <tr><td>0</td></tr> <tr><td>3</td></tr> <tr><td>5</td></tr> </table>	0	3	5	3.5 $\mu$ l	0.02 $\mu$ l
0						
3						
5						
LMP8-50 LMP12-50	<table border="1" style="border-collapse: collapse; text-align: center;"> <tr><td>0</td></tr> <tr><td>6</td></tr> <tr><td>5</td></tr> </table>	0	6	5	6.5 $\mu$ l	0.10 $\mu$ l
0						
6						
5						
LMP8-200 LMP12-200	<table border="1" style="border-collapse: collapse; text-align: center;"> <tr><td>0</td></tr> <tr><td>8</td></tr> <tr><td>5</td></tr> </table>	0	8	5	85.0 $\mu$ l	0.20 $\mu$ l
0						
8						
5						
LMP8-300 LMP12-300	<table border="1" style="border-collapse: collapse; text-align: center;"> <tr><td>2</td></tr> <tr><td>5</td></tr> <tr><td>0</td></tr> </table>	2	5	0	250.0 $\mu$ l	1.0 $\mu$ l
2						
5						
0						

Para obtener la mayor precisión, el volumen deseado debe ser ajustado desde un volumen más alto hacia la dirección de la disminución de las indicaciones del indicador.

- Si el volumen requerido es más bajo que el ajustado en el indicador, girando el tornillo del botón pulsador (fig. 1A2) o la rueda de graduación del volumen (fig. 1B) hay que disminuir las indicaciones del indicador hasta el valor requerido. Antes de alcanzar el valor requerido hay que disminuir la velocidad del giro y prestar la atención para no exceder el volumen para ajustar.
- Si el valor requerido es más alto que el ajustado en el indicador, girando el volante del ajuste del volumen hay que aumentar las indicaciones del indicador hasta llegar a 1/3 por encima del valor deseado. Luego, lentamente, girando el volante disminuir el ajuste hasta el valor deseado prestando la atención para no excederlo.

En el caso de exceder el valor requerido, se aconseja repetir el procedimiento del ajuste. Siempre se debe ajustar el volumen deseado desde un volumen más alto disminuyendo las indicaciones del indicador.

## 3 - MODO DE PIPETACIÓN

Colocar las boquillas en los cuerpos de módulo multicanal. Presionando el cuerpo de la pipeta contra la punta en la caja hasta el desplazamiento del cuerpo hacia el interior de 1.5 mm - se acoplan ambos. La suspensión elástica del cuerpo asegura la hermeticidad de la punta en el cuerpo sin necesidad de hacer los movimientos hacia los lados. Se monta la punta manteniendo la pipeta en posición vertical. Estando debidamente montada la punta, el líquido que se tome no deberá salir por su propio peso. Con la pipeta puesta en posición vertical sumergir las boquillas 2-4 mm en el líquido y lavarlos tomando y expulsando lentamente el líquido.

Posteriormente, guardando la pipeta en posición vertical apretar el botón de pipetación al momento de sentir por primera vez la resistencia y sumergir las boquillas 2-4 mm en el líquido, (fig. 3B). Aflojando el botón de pipetación con un movimiento lento e ininterrumpido durante 2-3 s tomar el líquido en las boquillas, (fig. 3B) y sacarlas del líquido. Colocar la pipeta con el ángulo 10-45 respecto a las paredes interiores de los vasos y vaciar las boquillas apretando lentamente el botón de pipetación hasta el momento de sentir por primera vez resistencia, (fig. 3C). Esperar aproximadamente 1 s y apretar el botón hasta el momento de sentir por segunda vez resistencia, con el fin de echar el resto del líquido, (fig. 3D) y sacar las boquillas moviendo sus puntas a lo largo de la superficie interior de los vasos, (fig. 3B). Posteriormente, apretando el botón del eyector quitar las boquillas de los cuerpos del módulo multicanal, (fig. 3F).

## 4 - INFORMACIONES DE EXPLOTACIÓN

Para que el trabajo con la pipeta sea lo más seguro, preciso y sin averías hay que respetar las siguientes normas:

- no se debe tomar líquido sin boquillas puestas,
- no se debe dejar la pipeta si las boquillas están llenas de líquido,
- no se debe tomar líquido cuyo volumen no cabe dentro de los límites de la pipeta,
- controlar si las boquillas han sido puestas de forma correcta,
- durante el trabajo guardar la pipeta en posición vertical, sumergir las boquillas en el líquido 2-4 mm, apretar y aflojar el botón de pipetación lentamente y de forma ininterrumpida,

- boquillas nuevas antes del comenzar la pipetación hay que lavar tomando y expulsando líquido. Esto es muy importante en la pipetación de líquidos cuya viscosidad y densidad son diferentes del agua, así como en la pipetación de líquidos de temperatura diferente de la del ambiente,
- pipetando líquidos que humedecen las paredes de boquillas (por ejemplo: sueros, albuminas, disolventes orgánicos) hay que medir dosis de líquidos mucho más lentamente que en el caso de otros líquidos,
- las boquillas hay que sustituir por unas nuevas con un cambio de líquido medido, o cambio de volumen de dosis, o bien cuando en las boquillas se queden gotas de líquido.

## 5 - RECALIBRACIÓN

La calibración de las pipetas **HTL** se realiza por gravimetría con el uso de puntas **HTL** y agua destilada, en una temperatura de  $20 \pm 1^\circ\text{C}$ , con arreglo a la norma EN ISO 8655.

Cuando se constate un error de precisión (diferencia entre la cantidad real y la nominal) de una pipeta, mayor al que se indica en el cuadro del capítulo 1, será necesario proceder a una nueva calibración. Antes, sin embargo, deberá comprobarse que al calcular el error se cumplieron los siguientes requisitos:

- una misma temperatura de la pipeta, puntas, agua y ambiente - líquido de una densidad semejante a la del agua destilada,
- balanza de precisión para las mediciones:

Volumen homologado [ $\mu\text{l}$ ]	Sensibilidad de la balanza [mg]
0,1 - 10	$\leq 0,001$
10 - 100	$\leq 0,01$
> 100	$\leq 0,1$

- conversión de mg en  $\mu\text{l}$ ,
- y los especificados en los apartados 3 y 4.

Cumplidos estos requisitos, si el error de precisión en un volumen dado es mayor al indicado en el apartado 1 será necesario proceder a una nueva calibración de la pipeta.

**La llave de calibración puede girar solamente de una vuelta entera hacia la derecha o la izquierda.**

## Requisitos para la calibración:

- la temperatura de la pipeta, punta, líquido y ambiente se estabilizará entre los  $20$  y  $25^\circ\text{C}$  con una exactitud de  $\pm 0,5^\circ\text{C}$ ,
- en las pruebas se usará agua destilada,
- la sensibilidad de la balanza se adecuará al volumen que se quiera verificar.

## Calibración:

- seleccionar la porción correspondiente a la capacidad de la pipeta, conforme lo indicado en la tabla que sigue:

Modelo	Rango de capacidad de la pipeta [ $\mu\text{l}$ ]	Porción de ajuste [ $\mu\text{l}$ ]	Valor admitido [ $\mu\text{l}$ ]	Diferencia de volumen a una vuelta entera de la llave de calibración $\Delta V$ [ $\mu\text{l}$ ] (24 unidades elemental)
LMP8-10 LMP12-10	0.5 - 10	0.5	0.45 - 0.55	0.33
LMP8-50 LMP12-50	5 - 50	5	4.8 - 5.2	1.67
LMP8-200 LMP12-200	20 - 200	20	19.4 - 20.6	6.30
LMP8-300 LMP12-300	50 - 300	50	49.2 - 50.8	10.00

- Repetir tres veces una serie de tomas por todos los canales, pesando cada toma, y calcular la media.
- calcular la porción media en [ $\mu\text{l}$ ] multiplicando la media de las tomas realizadas [mg] por el índice de densidad del agua destilada [ $\mu\text{l}/\text{mg}$ ], con dependencia de su temperatura y presión.

Temperatura [ $^\circ\text{C}$ ]	Presión [kPa]		
	95.0	101.3	105.0
20	1.0028	1.0029	1.0029
21	1.0030	1.0031	1.0031
22	1.0032	1.0033	1.0033
23	1.0034	1.0035	1.0036
24	1.0037	1.0038	1.0038
25	1.0039	1.0040	1.0040

Cuando el valor medio de las porciones tomadas difiera del admisible se procederá como se indica a continuación:

- desmontar el pulsador de pipeteo, (fig. 4A),  
**Atención: El botón pulsador se compone de dos piezas: un tornillo (fig. 1A2) y un botón (fig. 1A1). Desmontando el botón ambas piezas se separan.**

- introducir la llave de calibración en las muescas del tornillo de calibración (fig. 4B), sujetando al mismo tiempo el botón de graduación del volumen para evitar que cambie de posición,
- darle vuelta a la llave - hacia la derecha para reducir la porción o hacia la izquierda para aumentarla. Con una vuelta entera de la llave se aumenta o disminuye la porción en la cantidad que se ha indicado en el cuadro (fig. 4C),
- retirar la llave de calibración y montar el botón pulsador (fig. 4D). Para montar el botón pulsador hay que poner en el cuerpo primero el tornillo (fig. 1A2) y luego el botón (fig. 1A1).

Calcular nuevamente la porción media que deberá ajustarse a los valores admisibles indicados en el cuadro. En el caso contrario se repetirán las operaciones de calibración.

En la página [www.htl.com.pl](http://www.htl.com.pl) encontrará más informaciones acerca de la calibración de pipetas.

## 6 - LIMPIEZA Y ESTERILIZACIÓN

### Limpieza:

Las superficies exteriores del pulsador de pipeteo, el botón del expulsor, el mango y el tornillo de calibración pueden limpiarse con un tapón de algodón empapado de alcohol isopropílico.

### Atención:

Antes de aplicar agentes de limpieza otros que no sean recomendados por el fabricante, consulte las tablas de compatibilidad de materiales plásticos, los cuales componen los elementos de la pipeta: PP, PC, POM, PA, PPS, PVDF.

### Esterilización:

Las pipetas pueden ser esterilizadas en autoclave a la temperatura de 121°C durante 20 minutos. Después de esterilizar la pipeta, ésta debe ser secada y enfriada hasta alcanzar la temperatura de ambiente.

### Se recomienda:

- esterilizar las pipetas en un autoclave con la fase del vacío preliminar y secado,
- antes de la esterilización aflojar un poco la tuerca que sujeta el módulo. Después de la esterilización atornillar la tuerca,

Con la correcta explotación y el adecuado procedimiento de la esterilización en autoclave no cambia la repetibilidad de los resultados obtenidos. Sin embargo, puede ocurrir un pequeño cambio en la precisión de la dosificación, entonces se recomienda:

- verificar la calibración de las pipetas después de la 1, 3 y 5 esterilización en autoclave y luego cada 10 ciclos de esterilización durante la explotación de la pipeta.

La pipeta es resistente a la radiación ultravioleta, lo que se confirmó con las pruebas realizadas. La distancia recomendada desde la fuente de radiación hasta el elemento expuesto no deberá ser inferior a 50 cm. Una exposición intensa, de duración excesiva puede causar pequeños cambios en el aspecto de los elementos de color sin influir en los parámetros de la pipeta.

## 7 - JUEGO DE ENTREGA

### La entrega comprende:

- la pipeta
- CD
- un manual de usuario corto
- una llave de calibración
- un portapipetas

**8 - PIEZAS DE REPUESTO Y ACCESORIOS**

Totas las partes de repuesto presentadas en el fig. 1, 4 es decir:

**A: Pulsador de pipeteo**      **A1: Botón**      **A2: Tornillo**

**B: Volante del ajuste de volumen**

**C: Botón del expulsor**

**D: Émbolo**

**E: Cuerpo**

**F: Expulsor**

**J: Llave de calibración**

Puede pedirse a un representante de **HTL** (hay que detallar el tipo de pipeta y el nombre de parte de repuesto de la pipeta).

**Atención: Siempre que se cambie el chupón se calibrará la pipeta de acuerdo con lo señalado en el apartado 5.**

Antes de devolver la pipeta a un representante de **HTL** por favor asegurense que el instrumento no tiene ningun tipo de contaminacion (quimica, de microbios o radioactiva).

Todos los derechos reservados. Los productos mencionados en el presente manual se hallan disponibles dentro del campo limitado y se someten a las modificaciones técnicas. Los errores se encuentran permisibles.

PZ HTL S.A. reserva el derecho a mejorar o modificar sus productos sin aviso previo.

© 2015 PZ HTL S.A.

## ÍNDICE

- 1 - INTRODUÇÃO
- 2 - AJUSTE DE VOLUME
- 3 - MÉTODO DE PIPETAGEM
- 4 - RECOMENDAÇÕES
- 5 - RECALIBRAGEM
- 6 - LIMPEZA E ESTERILIZAÇÃO
- 7 - KIT DE PIPETA
- 8 - PEÇAS AVULSAS E ACESSÓRIOS

## 1 - INTRODUÇÃO

A série **LABMATE PRO** de pipetas ajustáveis multicanal foi criada para enchimento de microplacas laboratoriais. As pipetas permitem a entrega precisa e simultânea de 8 a 12 doses de volume pré-ajustado de líquido.

As pipetas são produzidas em 4 gamas de volume: 0,5-10  $\mu\text{l}$ , 5-50  $\mu\text{l}$ , 20-200  $\mu\text{l}$ , 50-300  $\mu\text{l}$ .

As pipetas possuem um contador digital que mostra o volume de pipetagem. O ajuste de volume é feito ao girar o botão de pipetagem (Fig. 1A2) ou o botão de ajuste preto (Fig. 1B) na direção correta. O limite de volume é mostrado no botão de pipetagem (Fig. 1A1).

As pipetas devem ser usadas com ponteiras de polipropileno descartáveis para garantir a segurança e precisão (Fig. 1H). As hastes sem O-rings garantem a compatibilidade das pipetas com várias ponteiras e o formato especial do ejetor reduz a força necessária para injeção. Para proteger o usuário do contato com ponteiras contaminadas, as pipetas são equipadas com ejetores de ponteira (Fig. 1F).

A construção da pipeta permite girar o módulo multicanal e ejetar as ponteiras em 360°, portanto, a posição

mais conveniente pode ser selecionada para encher as microplacas. Recomenda-se girar o módulo no sentido horário, (Fig. 2).

As especificações de precisão e exatidão da tabela seguinte foram obtidas usando ponteiras **HTL**. Os números só são garantidos se forem utilizadas ponteiras **HTL**.

### LABMATE PRO 8 canais

ESPECIFICAÇÕES					
Modelo	Cat. no.	Volume [ $\mu\text{l}$ ]	Exatidão [%]	Precisão [%]	Para ponteiras $\mu\text{l}$
LMP8-10	6281	Min 0,5	$\pm 10,0$	$\pm 8,0$	10
		Máx 10	$\pm 4,0$ $\pm 2,0$	$\pm 2,0$ $\pm 1,2$	
LMP8-50	6282	Min 5	$\pm 4,0$	$\pm 2,5$	200
		Máx 50	$\pm 3,0$ $\pm 1,6$	$\pm 1,2$ $\pm 0,6$	
LMP8-200	6283	Min 20	$\pm 3,0$	$\pm 1,5$	200
		Máx 200	$\pm 1,5$ $\pm 1,0$	$\pm 0,8$ $\pm 0,6$	
LMP8-300	6284	Min 50	$\pm 1,6$	$\pm 1,5$	300
		Máx 300	$\pm 1,2$ $\pm 1,0$	$\pm 1,0$ $\pm 0,6$	

### LABMATE PRO 12 canais

ESPECIFICAÇÕES					
Modelo	Cat. no.	Volume [ $\mu\text{l}$ ]	Exatidão [%]	Precisão [%]	Para ponteiras $\mu\text{l}$
LMP12-10	6285	Min 0,5	$\pm 10,0$	$\pm 8,0$	10
		Máx 10	$\pm 4,0$ $\pm 2,0$	$\pm 2,0$ $\pm 1,2$	
LMP12-50	6286	Min 5	$\pm 4,0$	$\pm 2,5$	200
		Máx 50	$\pm 3,0$ $\pm 1,6$	$\pm 1,2$ $\pm 0,6$	
LMP12-200	6287	Min 20	$\pm 3,0$	$\pm 1,5$	200
		Máx 200	$\pm 1,5$ $\pm 1,0$	$\pm 0,8$ $\pm 0,6$	
LMP12-300	6288	Min 50	$\pm 1,6$	$\pm 1,5$	300
		Máx 300	$\pm 1,2$ $\pm 1,0$	$\pm 1,0$ $\pm 0,6$	

As especificações para o desempenho volumétrico são derivadas de longos testes de gravimetria, conforme o padrão EN ISO 8655.

O desenho da pipeta permite que o usuário faça o processo de recalibragem conforme as regras apresentadas na Seção 5.



## 2 - AJUSTE DE VOLUME

O volume da pipeta é ajustado pelo botão de girar no botão de pipetagem (Fig. 1A2) ou pelo botão de ajuste preto (Fig. 1B). O volume mostrado pelo contador é representado por 3 dígitos que devem ser lidos de cima para baixo. As leituras típicas do medidor são mostradas na seguinte tabela:

Modelo	Leituras do contador	Volume	Gradação básica
LMP8-10 LMP12-10	0 3 5	3.5 $\mu$ l	0.02 $\mu$ l
LMP8-50 LMP12-50	0 6 5	6.5 $\mu$ l	0.10 $\mu$ l
LMP8-200 LMP12-200	0 8 5	85.0 $\mu$ l	0.20 $\mu$ l
LMP8-300 LMP12-300	2 5 0	250.0 $\mu$ l	1.0 $\mu$ l

Para garantir o máximo de exatidão, o volume ajustado deverá ser aproximado a partir de um valor maior, reduzindo as leituras do contador.

- Se o volume desejado for menor do que o volume mostrado pelo contador, gire o botão de pipetagem (Fig. 1A2) ou o botão de ajuste preto (Fig. 1B) na direção para reduzir as leituras do contador para o volume desejado. Gire o botão lentamente e com cuidado para evitar ultrapassar o valor de ajuste.
- Se o volume desejado for maior do que o volume mostrado pelo contador, gire o botão de pipetagem (Fig. 1A2) ou o botão de ajuste (Fig. 1B), aumentando o valor até que a roda do número menor atinja 1/3 de um giro além do ajuste exigido e então, gire lentamente para trás até que o ajuste chegue ao volume desejado. Cuidado para não ultrapassar o valor ajustado.

Se o botão for girado acidentalmente além da conta, o processo deverá ser repetido. O volume desejado deve ser sempre ajustado a partir do maior valor, em ordem decrescente.

## 3 - MÉTODO DE PIPETAGEM

Encaixe as ponteiras nos cones do módulo multicanal. Segure a pipeta na vertical e pressione-a contra as ponteiras do rack, até as hastes retraírem-se em 1,5 mm para dentro do módulo multicanal. O sistema de suspensão das hastes garante a vedação uniforme e hermética das ponteiras. O movimento de rolagem não precisa ser realizado para vedar as ponteiras hermeticamente. O líquido aspirado nas ponteiras, devidamente fixadas, não sairá por conta da gravidade. Enquanto segura a pipeta na vertical, as ponteiras devem ser mergulhadas no líquido à profundidade de 2-4 mm e descarregadas uma vez, extraindo uma dose de líquido e dispensando-a com movimento lento e firme. Depois, enquanto ainda segura a pipeta na vertical, o operador deverá pressionar o botão de pipetagem até o primeiro ponto de resistência e mergulhar as ponteiras no líquido à profundidade de 2-4 mm, (Fig. 3B). Soltando o botão de pipetagem com um movimento lento e uniforme por 2-3 segundos, o líquido deverá ser extraído para as ponteiras, (Fig. 3B) e depois, erguido acima da superfície do líquido. Depois, a pipeta deve ser posicionada a um ângulo de 10-45 graus em relação às paredes internas dos recipientes de destino e as ponteiras devem ser esvaziadas, pressionando o botão de pipetagem lentamente até sentir o primeiro ponto de resistência, (Fig. 3C). Após 1s, o botão de pipetagem deve ser pressionado até o segundo ponto de resistência para expelir o líquido restante, (Fig. 3D). Então, as ponteiras deve ser retiradas dos recipientes enquanto mantêm contato entre as extremidades das ponteiras e as paredes internas do recipiente até o botão de pipetagem ser liberado, (Fig. 3E). Finalmente, apertando o botão do ejetor, retire as ponteiras, (Fig. 3F).

## 4 - RECOMENDAÇÕES

Para atingir o máximo de segurança, precisão e confiabilidade, os seguintes princípios devem ser observados:

- não extraia líquido sem ponteiras encaixadas,
- não deite a pipeta com as ponteiras cheias,
- não extraia volumes de líquido que excedam o limite da pipeta,
- cheque se as ponteiras estão bem encaixadas,

- durante a operação, a pipeta deve ser mantida na vertical, as ponteiros devem mergulhar no líquido até a profundidade de 2 a 4 milímetros e o botão de pipetagem deve ser pressionado e liberado lentamente e uniformemente,
- as ponteiros novas devem ser pré-enxaguadas antes da pipetagem, extraindo e expelindo o líquido a ser medido. Isto é muito importante ao trabalhar com líquidos de viscosidades e densidades diferentes das da água e em temperaturas diferentes da temperatura ambiente,
- ao pipetar líquidos que tendem a molhar as paredes das ponteiros, como serums, proteínas ou solventes orgânicos, a medição deve ser feita muito mais devagar do que com outros líquidos,
- as ponteiros devem ser trocadas por novas, ao mudar de líquido aspirado e se gotículas do líquido remanescerem aderidas à parede interna das ponteiros.

## 5 - RECALIBRAGEM

As pipetas **HTL** são calibradas por método gravimétrico, usando ponteiros **HTL** e água destilada à temperatura de  $20^{\circ} \pm 1^{\circ}\text{C}$ , conforme o padrão EN ISO 8655.

O procedimento de recalibragem da pipeta deve ser feito se durante a operação da pipeta você achar que o erro de exatidão (a diferença entre o real volume aspirado e o volume pré-ajustado) excede o valor permitido fornecido pela Tabela da seção 1.

Antes da recalibragem, é necessário checar se os seguintes requisitos foram cumpridos durante a determinação do erro:

- a temperatura ambiente e a temperatura da pipeta, das ponteiros e da água eram idênticas
- a densidade do líquido usado está próxima da densidade da água destilada
- uma balança com sensibilidade adequada foi usada

Volume checado [μl]	Sensibilidade [mg]
0.1 - 10	≤ 0.001
10 - 100	≤ 0.01
> 100	≤ 0.1

- o fator de conversão mg/μl foi considerado
- os requisitos das seções 3 e 4 foram cumpridos.
- Se as condições acima forem atendidas e o erro de exatidão para o volume escolhido na Seção 1 exceder

o valor permitido, o procedimento de recalibragem da pipeta deverá ser realizado.

**A recalibragem só pode ser feita com um giro completo da chave para a direita ou para a esquerda.**

### Condições de recalibragem:

- Temperatura ambiente e temperatura da pipeta, das ponteiros e do líquido devem estar dentro do limite de  $20\text{-}25^{\circ}\text{C}$  e estabilizadas durante a pesagem dentro de  $\pm 0.5^{\circ}\text{C}$
- As medições serão conduzidas usando água destilada.
- A sensibilidade da balança deverá ser adequada para o volume a ser controlado

### Procedimento de recalibragem:

- Ajuste o volume da dose, dependendo do volume pipetado, conforme a Tabela:

Modelo	Gama dos volumes de pipeta [μl]	Volume ajustado [μl]	Volumes permitidos [μl]	Troca de vol. ΔV Para giro da chave de calibragem [μl] (24 incrementos)
LMP8-10 LMP12-10	0.5 - 10	0.5	0.45 - 0.55	0.33
LMP8-50 LMP12-50	5 - 50	5	4.8 - 5.2	1.67
LMP8-200 LMP12-200	20 - 200	20	19.4 - 20.6	6.30
LMP8-300 LMP12-300	50 - 300	50	49.2 - 50.8	10.00

- Faça 3 séries de aspiração (cada série deve incluir as aspirações de todos os canais), pese cada vez e calcule o valor médio das aspirações.
- Calcule o volume médio aspirado em μl, multiplicando o valor médio de aspiração [mg] pelo coeficiente da densidade de água destilada [μl/mg], dependendo da temperatura e pressão, conforme a tabela:

Temperatura [°C]	Pressão [kPa]		
	95.0	101.3	105.0
20	1.0028	1.0029	1.0029
21	1.0030	1.0031	1.0031
22	1.0032	1.0033	1.0033
23	1.0034	1.0035	1.0036
24	1.0037	1.0038	1.0038
25	1.0039	1.0040	1.0040

Se o volume médio aspirado exceder os valores permitidos, a recalibragem da pipeta deverá ser conduzida:

- Remover o botão de pipetagem, (Fig. 4A),
- Aviso:** O botão de pipetagem consiste de 2 partes: o botão de girar (Fig. 1A2) e o botão de apertar (Fig. 1A1). Após retirar o botão de apertar, as duas partes ficarão separadas.
- Segurando o botão de ajuste de volume para protegê-lo contra rotação, insira a chave de calibragem nos cortes do parafuso de calibragem, (Fig. 4B),
  - Gire a chave no sentido horário para reduzir o volume aspirado ou no sentido anti-horário para aumentar o volume. Um giro completo da chave de calibragem troca o volume de aspiração da pipeta pela quantidade fornecida na tabela, (Fig. 4C),
  - Retire a chave e fixe o botão de pipetagem, (Fig. 4D). O botão deve ser fixado primeiro, colocando o botão de girar na haste (Fig. 1A2) e depois o botão de apertar (Fig. 1A1).

Determine o volume médio aspirado. O volume médio deve ficar dentro do limite permitido fornecido pela tabela. Se o volume exceder os valores citados, o procedimento de recalibragem deverá ser repetido.

Mais informações sobre recalibragem podem ser acessadas em [www.htl.com.pl](http://www.htl.com.pl)

## 6 - LIMPEZA E ESTERILIZAÇÃO

### Limpeza

As superfícies externas do botão de pipetagem, o botão de ejetor, o pegador, o eixo e o botão de ajuste podem ser limpos com um pano embebido em álcool isopropílico.

### Aviso:

Antes de usar agentes de limpeza diferentes dos recomendados pelo fabricante, cheque os quadros de compatibilidade e considere a resistência química dos seguintes plásticos: PEI, PP, PC, POM, PA, PPS, PVDF usados para produzir peças das pipetas.

### Esterilização:

A pipeta pode ser esterilizada em autoclave a 121°C por 20 minutos. Após a esterilização, a pipeta deve ser seca e resfriada até a temperatura ambiente.

### Recomenda-se:

- esterilizar a pipeta em autoclave com um ciclo inicial de vácuo e secagem,
- antes da esterilização, soltar levemente a porca que conecta o cabo ao módulo. Após a autoclave, estas peças deverão ser parafusadas de novo.

A precisão dos resultados não se alterará se o processo de pipetagem e autoclavagem forem realizados conforme a descrição deste manual. Por causa da chance de ocorrer uma pequena mudança na exatidão da dose, recomenda-se:

- checar a calibragem da pipeta após o 1º, 3º e 5º ciclo de autoclave e depois, após 10 ciclos de autoclave.

Através de testes realizados, confirmamos que a pipeta é resistente à radiação ultravioleta. A distância recomendada entre a fonte de radiação e o elemento exposto não deve ser inferior a 50 cm. Uma exposição intensa, de longa duração, pode alterar ligeiramente o aspecto dos elementos coloridos sem influenciar os parâmetros da pipeta.

## 7 - KIT DA PIPETA

As pipetas são entregues nos kits incluindo:

- Pipeta
- CD
- Manual de instrução curto
- Chave de calibragem
- Suporte de pipeta

**8 - PEÇAS AVULSAS**

As peças avulsas para multicanal, (Fig. 1, 4):

**A: Botão de pipetagem A1: Botão A2: Botão de girar**

**B: Botão de ajuste**

**C: Botão ejetor**

**D: Conjunto do pistão**

**E: Haste**

**F: Ejetor**

**J: Chave de calibragem**

**Aviso: A troca do êmbolo requer a condução do procedimento de calibragem, conforme a Seção 5.**

Antes de enviar uma pipeta de volta para conserto, certifique-se de que a pipeta esteja totalmente livre de qualquer contaminação química, biológica ou radioativa ou com as informações sobre o tipo de líquido que foi medido.

## SPIS TREŚCI

## 1 - WSTĘP

## 2 - USTAWIANIE OBJĘTOŚCI

## 3 - POBIERANIE I WYDAWANIE CIECZY

## 4 - WSKAZÓWKI EKSPLOATACYJNE

## 5 - REKALIBRACJA

## 6 - CZYSZCZENIE I STERYLIZACJA

## 7 - KOMPLETACJA

## 8 - CZĘŚCI ZAMIENNE I AKCESORIA

## 1 - WSTĘP

Pipety **LABMATE PRO** to rodzina nastawnych pipet wielokanałowych przeznaczona do napełniania mikroplutek laboratoryjnych. Pipety te umożliwiają w sposób precyzyjny i dokładny jednoczesne odmierzenie 8 lub 12 dawek cieczy o nastawionej objętości. Wykonywane są w czterech zakresach odmierzanej objętości: 0,5-10  $\mu\text{l}$ , 5-50  $\mu\text{l}$ , 20-200  $\mu\text{l}$ , 50-300  $\mu\text{l}$ .

Pipety wyposażone są w cyfrowy licznik pokazujący odmierzaną objętość. Ustawienie objętości odbywa się za pomocą pokrętki w przycisku pipetowania (rys. 1A2) lub czarnego pokrętki nastawy objętości (rys. 1B) w odpowiednim kierunku. Zakres pobieranej objętości pokazany jest na przycisku pipetowania (rys. 1A1).

Pipety współpracują z wykonanymi z polipropylenu jednorazowymi końcówkami zapewniającymi maksimum bezpieczeństwa użytkownikowi, (rys. 1H).

Trzony bez O-ringów zapewniają współpracę pipet z szerokim asortymentem końcówek a specjalny kształt wyrzutnika zmniejsza siłę potrzebną do ich zrzucenia.

Celem zabezpieczenia użytkownika przed kontaktem ze zużytą końcówką, pipety wyposażone są w wyrzutniki końcówek, (rys. 1F).

Konstrukcja pipety umożliwia zmianę położenia modułu wielokanałowego i zrzucanie końcówek w zakresie  $360^\circ$ , co pozwala na wybranie jak najwygodniejszej pozycji do napełniania mikroplutek. Zaleca się obracanie modułu w kierunku zgodnym ze wskazówkami zegara.

## LABMATE PRO 8 kanałowa

DANE TECHNICZNE					
Symbol	Nr katalogowy	Objętość [ $\mu\text{l}$ ]	Błąd dokładności [%]	Błąd powtarzalności [%]	Końcówka $\mu\text{l}$
LMP8-10	6281	Min 0,5	$\pm 10,0$	$\pm 8,0$	10
		5	$\pm 4,0$	$\pm 2,0$	
		Max 10	$\pm 2,0$	$\pm 1,2$	
LMP8-50	6282	Min 5	$\pm 4,0$	$\pm 2,5$	200
		25	$\pm 3,0$	$\pm 1,2$	
		Max 50	$\pm 1,6$	$\pm 0,6$	
LMP8-200	6283	Min 20	$\pm 3,0$	$\pm 1,5$	200
		100	$\pm 1,5$	$\pm 0,8$	
		Max 200	$\pm 1,0$	$\pm 0,6$	
LMP8-300	6284	Min 50	$\pm 1,6$	$\pm 1,5$	300
		150	$\pm 1,2$	$\pm 1,0$	
		Max 300	$\pm 1,0$	$\pm 0,6$	

## LABMATE PRO 12 kanałowa

DANE TECHNICZNE					
Symbol	Nr katalogowy	Objętość [ $\mu\text{l}$ ]	Błąd dokładności [%]	Błąd powtarzalności [%]	Końcówka $\mu\text{l}$
LMP12-10	6285	Min 0,5	$\pm 10,0$	$\pm 8,0$	10
		5	$\pm 4,0$	$\pm 2,0$	
		Max 10	$\pm 2,0$	$\pm 1,2$	
LMP12-50	6286	Min 5	$\pm 4,0$	$\pm 2,5$	200
		25	$\pm 3,0$	$\pm 1,2$	
		Max 50	$\pm 1,6$	$\pm 0,6$	
LMP12-200	6287	Min 20	$\pm 3,0$	$\pm 1,5$	200
		100	$\pm 1,5$	$\pm 0,8$	
		Max 200	$\pm 1,0$	$\pm 0,6$	
LMP12-300	6288	Min 50	$\pm 1,6$	$\pm 1,5$	300
		150	$\pm 1,2$	$\pm 1,0$	
		Max 300	$\pm 1,0$	$\pm 0,6$	

Błędy dokładności i powtarzalności zostały określone przy użyciu końcówek **HTL** metodą grawimetryczną zgodną z normą PN-EN ISO 8655.

Warunki pomiarów: woda destylowana o temperaturze  $20 \pm 1^\circ\text{C}$ .

Konstrukcja pipety umożliwia przeprowadzenie rekaliibracji przez użytkownika wg zasad przedstawionych w rozdziale 5.

## 2 - USTAWIANIE OBJĘTOŚCI

Objętość pipety nastawia się za pomocą pokrętła w przycisku pipetowania (rys.1A2) lub pokrętła nastawy objętości (rys.1B). Objętość wskazywana przez licznik składa się z trzech cyfr, które należy odczytywać od góry do dołu. Przykładowe wskazania licznika pokazuje tabela:

Model	Wskazanie licznika	Ustawiona objętość	Działka elementarna
LMP8-10 LMP12-10	0 3 5	3,5 $\mu$ l	0,02 $\mu$ l
LMP8-50 LMP12-50	0 6 5	6,5 $\mu$ l	0,10 $\mu$ l
LMP8-200 LMP12-200	0 8 5	85,0 $\mu$ l	0,20 $\mu$ l
LMP8-300 LMP12-300	2 5 0	250,0 $\mu$ l	1,0 $\mu$ l

Aby uzyskać maksymalną dokładność, żądana objętość powinna być nastawiana od objętości wyższej przez zmniejszania wskazania licznika.

- Jeśli żądana objętość jest niższa niż ustawiona na liczniku, należy obracając pokrętłem w przycisku pipetowania (rys.1A2) lub pokrętłem nastawy objętości (rys.1B) zmniejszyć wskazania licznika do wartości żądanej. Przed osiągnięciem wartości żądanej należy zmniejszyć prędkość obracania pokrętłem i zwrócić uwagę, aby nie przekroczyć nastawianej wartości.
- Jeśli żądana objętość jest wyższa niż ustawiona na liczniku, należy obracając pokrętłem nastawy objętości zwiększyć wskazania licznika do wartości przekraczającej żądaną objętość o około 1/3 obrotu najniższego bębenka. Następnie, powoli kręcąc pokrętłem zmniejszyć nastawę do żądanej, zwracając uwagę, aby jej nie przekroczyć.

W przypadku przekroczenia żądanej wartości, proces nastawy powinien być powtórzony. Żądana objętość powinna być zawsze nastawiana od objętości wyższej przez zmniejszania wskazania licznika.

## 3 - POBIERANIE I WYDAWANIE CIECZY

Ciecz pobierana jest do końcówek nałożonych na trzony modułu wielokanałowego. Zakładając końcówki na trzony należy pipetę docisnąć do końcówek w pudełku do momentu przesunięcia się trzonów do wnętrza obudowy w granicach 1,5 mm. Sprężyste zawieszenie trzonów zapewnia prawidłowe uszczelnienie się końcówek na trzonach bez konieczności wykonywania ruchów na boki. Pipetę przy zakładaniu końcówek należy trzymać pionowo. Z prawidłowo nałożonych końcówek nie powinna wypływać pod własnym ciężarem pobrana do końcówek ciecz. Trzymając pipetę pionowo należy zanurzyć końcówki na głębokość 2-4 mm w pobieranej cieczy i jednokrotnie przepłukać je pobierając i wydając ruchem powolnym i jednostajnym porcje cieczy.

Następnie trzymając pipetę pionowo należy nacisnąć przycisk pipetowania do pierwszego oporu i zanurzyć końcówki na głębokość 2-4 mm w pobieranej cieczy, (rys. 3B). Zwalniając przycisk pipetowania ruchem powolnym i jednostajnym w czasie 2-3 s należy pobrać ciecz do końcówek, (rys. 3B) i wyjąć końcówki z cieczy. Po umieszczeniu pipety pod kątem 10-45° do wewnętrznych ścianek docelowych naczynek należy opróżnić końcówki wciskając powoli przycisk pipetowania do pierwszego oporu, (rys. 3C). Po odczekaniu ok. 1 s należy wcisnąć przycisk pipetowania do drugiego oporu celem usunięcia resztek cieczy, (rys. 3D), wyjąć końcówki przesuwając ich końce po wewnętrznej powierzchni naczynek i zwolnić przycisk pipetowania, (rys. 3E). Następnie wciskając przycisk wyrzutnika należy zrzucić końcówki z trzonów modułu wielokanałowego, (rys. 3F).

## 4 - WSKAZÓWKI EKSPLOATACYJNE

Aby praca z pipetą zapewniała maksimum bezpieczeństwa, dokładności i bezawaryjności, stosuj się do następujących zasad:

- nie należy pobierać cieczy bez założonych końcówek,
- nie należy kłaść pipety jeżeli końcówki są wypełnione cieczą,
- nie należy ustawiać pojemności poza nominalne wielkości,
- należy upewnić się czy końcówki zostały nałożone prawidłowo,

- pipetę w czasie pracy należy trzymać pionowo, końcówki w odmierzanej cieczy zanurzać na głębokość 2-4 mm, a przycisk pipetowania wciskać i zwalniać powoli i płynnie,
- przed przystąpieniem do pipetowania nowe końcówki należy przepłukać pobierając i wydając odmierzaną ciecz. Jest to szczególnie ważne przy pipetowaniu cieczy o lepkości i gęstości innej niż woda i cieczy o temperaturze innej niż temperatura otoczenia,
- przy pipetowaniu cieczy zwilżających ścianki końcówek (np: surowic, białek, rozpuszczalników organicznych) należy odmierzać dawki cieczy znacznie wolniej niż przy innych cieczach,
- końcówki należy wymieniać na nowe przy zmianie odmierzanej cieczy, przy zmianie objętości odmierzanej dawki lub gdy w końcówkach pozostają kropelki cieczy.

## 5 - REKALIBRACJA

Pipety **HTL** są kalibrowane metodą grawimetryczną, przy użyciu końcówek **HTL** i wody destylowanej, w temperaturze  $20 \pm 1^\circ\text{C}$  zgodnie z normą PN-EN ISO 8655.

W przypadku stwierdzenia w trakcie używania pipety, że błąd dokładności (różnica między rzeczywistą objętością pobieraną a objętością nastawioną) przekracza dopuszczalną wartość podaną w tabeli w rozdziale 1, należy przeprowadzić rekalkibrację pipety.

Przed przystąpieniem do rekalkibracji, należy sprawdzić czy przy wyznaczaniu błędu zostały spełnione poniższe warunki:

- temperatura otoczenia, pipety, końcówek i wody była jednakowa,
- gęstość używanej cieczy była zbliżona do wody destylowanej,
- stosowana była waga o odpowiedniej czułości,

Sprawdzana objętość [ $\mu\text{l}$ ]	Czułość wagi [mg]
0,1 - 10	$\leq 0,001$
10 - 100	$\leq 0,01$
> 100	$\leq 0,1$

- uwzględniony został przelicznik mg/ $\mu\text{l}$ ,
  - spełnione zostały wymagania podane w rozdziałach 3 i 4.
- Jeżeli powyższe warunki zostały spełnione a błąd dokładności dla wybranej pojemności podanej w rozdziale 1 przekracza wartość dopuszczalną, należy przeprowadzić rekalkibrację pipety.

**Rekalibrację można wykonać tylko w zakresie jednego pełnego obrotu klucza w lewą lub w prawą stronę.**

### Warunki przeprowadzenia rekalkibracji:

- Temperatura otoczenia, pipety, końcówki i cieczy powinna być w granicach  $20-25^\circ\text{C}$  i stabilizowana w trakcie ważenia w granicach  $\pm 0,5^\circ\text{C}$ ,
- Pomiary należy przeprowadzić przy użyciu wody destylowanej,
- Czułość wagi powinna być odpowiednia do sprawdzanej objętości.

### Sposób przeprowadzenia rekalkibracji:

- Ustawić objętość dawki w zależności od pojemności pipety zgodnie z poniższą tabelą:

Pipeta	Zakres pojemności pipety [ $\mu\text{l}$ ]	Objętość ustawiana [ $\mu\text{l}$ ]	Dopuszczalne wartości [ $\mu\text{l}$ ]	Zmiana objętości przy pełnym obrocie klucza kalibracyjnego $\Delta V$ [ $\mu\text{l}$ ] (24 dziaki)
LMP8-10 LMP12-10	0.5 - 10	0,5	0,45 - 0,55	0,33
LMP8-50 LMP12-50	5 - 50	5	4,8 - 5,2	1,67
LMP8-200 LMP12-200	20 - 200	20	19,4 - 20,6	6,30
LMP8-300 LMP12-300	50 - 300	50	49,2 - 50,8	10,00

- Wykonać trzy serie pobrań (w serii pobranie z wszystkich kanałów), ważąc je za każdym razem i obliczyć średnią wartość tych pobrań.
- Obliczyć średnią pobieraną objętość w [ $\mu\text{l}$ ] mnożąc średnią wartość pobrań w [mg] przez współczynnik gęstości wody destylowanej [ $\mu\text{l}/\text{mg}$ ] zależny od temperatury i ciśnienia wg tabeli:

Temperatura [ $^\circ\text{C}$ ]	ciśnienie [kPa]		
	95,0	101,3	105,0
20	1,0028	1,0029	1,0029
21	1,0030	1,0031	1,0031
22	1,0032	1,0033	1,0033
23	1,0034	1,0035	1,0036
24	1,0037	1,0038	1,0038
25	1,0039	1,0040	1,0040

Jeśli średnia objętość pobierana przekracza dopuszczalne wartości należy:

- Zdjąć przycisk pipetowania, (rys. 4A),  
**Uwaga: Przycisk pipetowania składa się z dwóch części: pokrętła (rys. 1A2) i przycisku (rys. 1A1). Po zdjęciu przycisku obie części ulegają rozłączeniu.**
- Trzymając pokrętło nastawiania objętości tak, aby zabezpieczyć przed obrotem, włożyć klucz kalibracyjny w kanałki wkręta kalibracyjnego (rys. 4B).
- Przekręcić klucz zgodnie ze wskazówkami zegara dla zmniejszenia wielkości pobieranej, lub przeciwnie do wskazówek zegara dla zwiększenia wielkości pobieranej. Jeden pełny obrót klucza kalibracyjnego zmienia pobieraną objętość pipety o wartości podane w tabeli, (rys. 4C).
- Wyjąć klucz kalibracyjny i założyć przycisk pipetowania, (rys. 4D). Przycisk pipetowania zmontuj zakładając na trzpień najpierw pokrętło (rys. 1A2) a następnie przycisk (rys. 1A1).

Wyznaczyć średnią pobieraną objętość. Objętość średnia powinna mieścić się w obszarze dopuszczalnych wartości podanych w tabeli. Jeśli objętość ta przekracza podane wartości, rekaliibrację należy powtórzyć.

Więcej informacji na temat kalibracji znajduje się na stronie [www.htl.com.pl](http://www.htl.com.pl)

## 6 - CZYSZCZENIE I STERYLIZACJA

### Czyszczenie:

Zewnętrzne powierzchnie przycisku pipetowania, przycisku wyrzutnika, rękojeści i pokrętła kalibracyjnego można czyścić tamponem nasączonym alkoholem izopropylowym.

### Uwaga:

Przed zastosowaniem środków czyszczących innych niż zalecane przez producenta, sprawdź tabele kompatybilności tworzyw, z których wykonane są elementy pipety: PP, PC, POM, PA, PPS, PVDF.

### Sterylizacja:

Pipeta może być poddana sterylizacji w całości w autoklawie w temperaturze 121°C przez 20 minut. Po przeprowadzeniu sterylizacji pipeta powinna zostać wysuszona i ostudzona do temperatury pokojowej.

### Zaleca się:

- sterylizowanie pipet w autoklawie z cyklem próżni wstępnej i suszenia,
- przed sterylizacją zaleca się lekko odkręcić nakrętkę mocującą moduł, po autoklawowaniu nakrętkę należy ponownie dokręcić.

Przy prawidłowej eksploatacji i prawidłowo przeprowadzonym procesie autoklawowania nie zmienia się powtarzalność uzyskiwanych wyników. Ponieważ może wystąpić nieznaczna zmiana dokładności dozowania dlatego zaleca się:

- sprawdzanie kalibracji pipet po 1, 3 i 5 autoklawowaniu i co 10 cykli autoklawowań w dalszym okresie eksploatacji pipety.

Pipety są odporne na działanie promieni UV, co zostało potwierdzone przez nasze testy. Zalecana odległość od źródła promieniowania do elementu naświetlanego powinna być nie mniejsza niż 50 cm. Zbyt długotrwałe, intensywne naświetlanie może powodować nieznaczne zmiany w estetyce elementów kolorowych, bez wpływu na parametry pipety.

## 7 - KOMPLETACJA

Pipety dostarczane są w następującym skompletowaniu.

- Pipeta
- CD
- Skrócona instrukcja obsługi
- Klucz kalibracyjny
- Statyw do pipet



**8 - CZĘŚCI ZAMIENNE I AKCESORIA**

Części zamienne do pipet przedstawione są na rys. 1, 4.

**A: Przycisk pipetowania    A1: Przycisk    A2: Pokrętko**

**B: Pokrętko nastawy objętości**

**C: Przycisk wyrzutnika**

**D: Zespół nurnika**

**E: Trzon**

**F: Wyrzutnik**

**J: Klucz kalibracyjny**

Zamawiając części zamienne i akcesoria do pipety należy określić typ pipety, numer katalogowy, numer seryjny umieszczony na rękojeści oraz podać nazwę zamawianej części.

**UWAGA: Wymiana zespołu nurnika wymaga przeprowadzenia rekaliibracji pipety zgodnie z rozdziałem 5.**

Do pipet przysyłanych do naprawy należy dołączyć informację, że pipety są wolne od wszelkiego rodzaju chemicznych, biologicznych i radioaktywnych zanieczyszczeń lub informację jakie substancje były za jej pomocą odmierzane.

Wszelkie prawa zastrzeżone. Produkty opisane w niniejszej instrukcji są dostępne w ograniczonym zakresie i podlegają zmianom technicznym. Błędy są dopuszczalne.

PZ HTL S.A. zastrzega sobie prawo ulepszania lub innego modyfikowania swoich produktów bez wcześniejszego powiadomienia.

© 2015 PZ HTL S.A.

## СОДЕРЖАНИЕ

- 1 - ВВЕДЕНИЕ
- 2 - УСТАНОВКА ОБЪЕМА
- 3 - МЕТОД ПИПЕТИРОВАНИЯ
- 4 - УКАЗАНИЯ ПО ЭКСПЛУАТАЦИИ
- 5 - КАЛИБРОВКА
- 6 - ОЧИСТКА И СТЕРИЛИЗАЦИЯ
- 7 - КОМПЛЕКТАЦИЯ
- 8 - ЗАПАСНЫЕ ЧАСТИ И ПРИНАДЛЕЖНОСТИ

## 1 - ВВЕДЕНИЕ

Пипетки **LABMATE PRO** - это набор многоканальных устанавливаемых пипеток, предназначенный для наполнения лабораторных пластинок. Пипетки из этого набора позволяют точно и правильно отмеривать одновременно 8 или 12 доз жидкостей установленного объема. **LABMATE PRO** выпускаются в четырех диапазонах устанавливаемого объема от 0,5 мкл до 10 мкл, от 5 мкл до 50 мкл, от 20 мкл до 200 мкл или от 50 мкл до 300 мкл.

Пипетки оснащены цифровым счетчиком, позволяющим измерять набираемую емкость жидкости. Отмеряемый объем виден в окошке рукоятки пипетки. Изменение объема достигается путем поворота воротка в кнопке пипетирования (рис. 1A2), либо путем вращения в нужном направлении черного калиброванного воротка регулирования объема (рис. 1B). Диапазон объемов, которые можно отмеривать с помощью пипетки, обозначен на клавише пипетирования, (рис. 1A1).

Пипетки работают с одноразовыми полипропиленовыми наконечниками, что обеспечивает максимальную безопасность пользователя, (рис. 1H).

Конусы пипеток без прокладок круглого сечения обеспечивают их взаимодействие с широким ассортиментом наконечников, а особенная форма сбрасывателя - уменьшение усилия, необходимого для их удаления.

Для предохранения пользователя от контакта использованными наконечниками, аппарат снабжен сбрасывателями наконечников, (рис. 1F).

Конструкция пипетки дает возможность изменить положение многоканального модуля и сбрасывать наконечники в диапазоне 360°, что позволяет выбрать наиболее удобную позицию для наполнения микропластинок. Рекомендуется производить обороты модуля по ходу часовой стрелки.

## LABMATE PRO 8 доз

ТЕХНИЧЕСКИЕ ДАННЫЕ					
Тип пипетки	№ по каталогу	Объём (мкл)	Ошибка точности [%]	Ошибка воспроизводимости [%]	Тип наконечника мкл
LMP8-10	6281	Min 0,5	±10,0	± 8,0	10
		5	±4,0	± 2,0	
LMP8-50	6282	Min 5	±4,0	± 2,5	200
		25	±3,0	± 1,2	
LMP8-200	6283	Min 20	±3,0	± 1,5	200
		100	±1,5	± 0,8	
LMP8-300	6284	Min 50	±1,6	± 1,5	300
		150	±1,2	± 1,0	
		Max 300	±1,0	± 0,6	

## LABMATE PRO 12 доз

ТЕХНИЧЕСКИЕ ДАННЫЕ					
Тип пипетки	№ по каталогу	Объём (мкл)	Ошибка точности [%]	Ошибка воспроизводимости [%]	Тип наконечника мкл
LMP12-10	6285	Min 0,5	±10,0	± 8,0	10
		5	±4,0	± 2,0	
LMP12-50	6286	Min 5	±4,0	± 2,5	200
		25	±3,0	± 1,2	
LMP12-200	6287	Min 20	±3,0	± 1,5	200
		100	±1,5	± 0,8	
LMP12-300	6288	Min 50	±1,6	± 1,5	300
		150	±1,2	± 1,0	
		Max 300	±1,0	± 0,6	

Ошибки точности и воспроизводимости наконечников HTL определены гравиметрическим методом согласно стандартом EN ISO 8655.

Условия измерений: дистиллированная вода температурой  $20 \pm 1^\circ\text{C}$ .

Конструкция пипетки обеспечивает возможность пользователю провести ее калибровку в порядке, приведенном в разделе 5.

## 2 - УСТАНОВКА ОБЪЕМА

Емкость пипетки регулируется с помощью ручки-воротка, расположенной в кнопке пипетирования (рис.1A2) либо ручки установки емкости (рис.1B). Объем, который указывается на счетчике, состоит из трех цифр, которые следует читать сверху вниз. Примерные показания счетчика представлены в табл.

Модель	Показания счетчика	Установленный объем	Деление шкалы
LMP8-10 LMP12-10	0 3 5	3,5 мкл	0,02 мкл
LMP8-50 LMP12-50	0 6 5	6,5 мкл	0,10 мкл
LMP8-200 LMP12-200	0 8 5	85,0 мкл	0,20 мкл
LMP8-300 LMP12-300	2 5 0	250,0 мкл	1,0 мкл

Чтобы достичь максимальной точности, нужная емкость должна устанавливаться начиная с более высокой, путем уменьшения показаний счетчика.

• Если нужная емкость ниже установленной на счетчике, показания счетчика необходимо уменьшить до получения нужного значения, вращая для этого ручку-вороток кнопки пипетирования (рис. 1A2) либо регулятора установки объема (рис.1B). Перед достижением нужного значения, скорость вращения ручки следует уменьшить, чтобы случайно не пропустить устанавливаемое значение.

• Если нужная емкость выше установленной на счетчике, показания счетчика следует увеличить до значения, превышающего нужную емкость на около 1/3 оборота нижнего барабана, вращая для этого ручку-вороток регулятора установки объема. Затем, путем медленного вращения ручки, скорость установки необходимо постепенно уменьшать, так чтобы не пропустить нужное значение.

В случае превышения нужного значения, процесс установки следует повторить. Нужная емкость должна всегда устанавливаться исходя из более высокой, путем уменьшения показаний счетчика.

## 3 - МЕТОД ПИПЕТИРОВАНИЯ

Следует надеть наконечники на стержень многоканального модуля. Надевая наконечник на стержень корпуса пипетки, следует дожать пипетку к наконечнику в коробке до перемещения стержня внутрь корпуса на расстояние до 1,5 мм. Упругое состояние стержней обеспечивает необходимое уплотнение наконечников на стержнях, исключая тем самым перемещение последних в стороны. Во время надевания наконечников пипетку следует держать в вертикальном положении. Из правильно заложённых наконечников не должна вытекать под действием собственного веса набранная жидкость. Держа пипетку вертикально, следует погрузить наконечники на глубину 2-4 мм в набираемую жидкость и однократно прополоскать их, набирая и выдавливая порцию жидкости медленным и равномерным движением. Затем, держа пипетку вертикально, следует нажать кнопку пипетирования до первого упора и погрузить наконечники на глубину 2-4 мм в набираемую жидкость, (рис. 3B).

Медленно и равномерно отпуская кнопку пипетирования, в течение 2-3 сек. следует набрать жидкость в пипетки, (рис. 3B) и вынуть наконечники из жидкости. Поместив пипетку под углом  $10-45^\circ$  к внутренним стенкам емкости, следует опорожнить наконечники, постепенно нажимая кнопку пипетирования до первого упора, (рис. 3C). Подождав около 1 сек., следует нажать кнопку пипетирования до второго упора, чтобы выдавить остатки жидкости, (рис. 3D), вынуть наконечники, передвигая их концы по внутрен-

ней поверхности емкостей и отпустить кнопку пипетирования, (рис. 3Е). Затем, нажимая кнопку выбрасывателя, следует сбросить наконечники со стержней многоканального модуля, (рис. 3F).

#### 4 - УКАЗАНИЯ ПО ЭКСПЛУАТАЦИИ

Для обеспечения безопасности, точности и безаварийности работы пипетки следует соблюдать следующие правила:

- не набирать жидкость без надетых наконечников,
- не класть пипетку, если наконечники наполнены жидкостью,
- не набирать объем жидкости, превышающий диапазон объемов пипетки,
- удостовериться, правильно ли надеты наконечники,
- пипетку во время работы держать на глубину 2-4 мм, а кнопку пипетирования нажимать и отпускать постепенно и плавно,
- перед началом пипетирования следует прополоскать новые наконечники, набирая и выпуская отмериваемую жидкость. Это особенно важно в тех случаях, когда плотность и вязкость пипетируемой жидкости иная, чем воды, а также в тех, когда температура пипетируемой жидкости отличается от температуры окрыжения,
- при пипетировании жидкостей, увлажняющих стенки наконечников (например, сывороток, белков, органических растворителей), дозы следует отмерять значительно медленнее, чем при других жидкостях,
- наконечники следует заменять новыми при изменении отмериваемой жидкости, при изменении объема отмериваемой жидкости или в тех случаях, когда в наконечниках остаются капельки жидкости.

#### 5 - КАЛИБРОВКА

Пипетки **HTL** калибруются гравиметрическим способом с применением наконечников **HTL** и дистиллированной воды, при температуре  $20 \pm 1^\circ\text{C}$ , в соответствии со стандартом EN ISO 8655.

Если в ходе применения пипетки оказывается, что ошибка точности (разница между фактически отбираемым и установленным объемами) превышает допустимое значение, указанное в таблице в разделе 1,

следует провести калибровку пипетки.

Прежде чем приступить к калибровке, необходимо проверить, удовлетворялись ли при определении ошибки следующие условия:

- температура окружающей среды, пипетки, наконечника и воды должна быть одинаковой,
- была ли плотность применяемой жидкости близкой плотности дистиллированной воды,
- использовались ли весы с соответствующей чувствительностью,

Проверяемый объем [мкл]	Чувствительность весов [мг]
0,1 - 10	$\leq 0,001$
10 - 100	$\leq 0,01$
> 100	$\leq 0,1$

- был ли учтен пересчетный коэффициент мг/мкл,
- удовлетворялись ли требования, приведенные в разделах 3 и 4.

Если вышеуказанные условия удовлетворялись, а ошибка точности для выбранной емкости, указанной в разделе 1, превышает допустимое значение, следует провести повторную калибровку пипетки.

Пипетка	Диапазон емкости пипетки [мкл]	Установленный объем [мкл]	Допустимые значения [мкл]	Изменение объема при полном обороте калибровочного ключа $\Delta V$ [мкл] (24 цены деления)
LMP8-10 LMP12-10	0.5 - 10	0,5	0,45 - 0,55	0,33
LMP8-50 LMP12-50	5 - 50	5	4,8 - 5,2	1,67
LMP8-200 LMP12-200	20 - 200	20	19,4 - 20,6	6,30
LMP8-300 LMP12-300	50 - 300	50	49,2 - 50,8	10,00

**Повторную калибровку можно производить только в диапазоне одного полного оборота ключа вправо или влево.**

**Условия проведения калибровки:**

- температура окружающей среды, пипетки, наконечника и жидкости должна находиться в пределах  $20-25^\circ\text{C}$  и быть стабильной в ходе взвешивания в пределах  $\pm 0,5^\circ\text{C}$ ,

- измерения следует производить с применением дистиллированной воды,
- чувствительность весов должна соответствовать проверяемой емкости.

#### Порядок проведения калибровки:

- установить объем дозы в зависимости от емкости пипетки в соответствии с нижеследующей таблицей.
- провести 3 серии отбора доз (в серии отбор из всех каналов), взвешивая их каждый раз, и вычислить среднее значение.
- вычислить средний объем отбираемой дозы в [мкл], умножая среднее значение в мг на коэффициент плотности дистиллированной воды [мкл/мг], зависящий от температуры и давления согл. таблице.

Температура [°C]	Давление [кПа]		
	95,0	101,3	105,0
20	1,0028	1,0029	1,0029
21	1,0030	1,0031	1,0031
22	1,0032	1,0033	1,0033
23	1,0034	1,0035	1,0036
24	1,0037	1,0038	1,0038
25	1,0039	1,0040	1,0040

Если средний объем отбираемой дозы превышает допустимые значения, следует:

- снять кнопку отмеривания, (рис. 4А),  
**Внимание: Кнопка пипетирования состоит из 2 частей: воротка (рис. 1А2) и клавиша (рис. 1А1). После снятия клавиша обе части разъединяются.**
- придерживая кольцо установки объема, не допуская его поворота, вставить калибровочный ключ в вырезы калибровочного винта (рис. 4В),
- повернуть ключ по часовой стрелке для уменьшения дозы или, наоборот, против часовой стрелки - для увеличения дозы. Один полный оборот калибровочного ключа изменяет объем отбираемой пипеткой дозы на значения, указанные в таблице, (рис. 4С),
- вынуть калибровочный ключ и установить кнопку пипетирования (рис. 4D). В целях монтажа кнопки пипетирования необходимо вначале насадить вороток на конус пипетки (рис. 1А2), затем клавиш (рис. 1А1).

Определить средний объем отбираемой дозы. Он должен укладываться в области допустимых значений, приведенных в таблице. Если этот объем превышает указанные значения, калибровку следует повторить.

Более подробная информация о калибровке находится на сайте [www.htl.com.pl](http://www.htl.com.pl)

## 6 - ОЧИСТКА И СТЕРИЛИЗАЦИЯ

### Очистка:

Наружную поверхность извне кнопки отмеривания, кнопки сбрасывателя, рукоятки и калибровочного воротка рекомендуется очищать с помощью ватного тампона, насыщенного изопропиловым спиртом.

### Внимание:

Перед использованием иных чистящих средств отличных от рекомендованных производителем, проверить таблицу совместимости веществ, из которых изготовлены элементы пипетки: PP, PC, POM, PA, PPS, PVDF.

### Стерилизация:

Пипетку необходимо стерилизовать в автоклаве при температуре 121°C в течении 20 минут. После стерилизации следует высушить и охладить пипетку до комнатной температуры.

### Рекомендуется:

- Стерилизация пипеток в автоклаве с циклом предварительного вакуумирования и сушения
- Перед стерилизацией рекомендуется слегка расслабить гайку, укрепляющую модуль. После стерилизации гайку необходимо закрепить до упора.

При правильной эксплуатации и стерилизации, повторяемость получаемых результатов не изменяется. Поскольку может иметь место незначительное изменение точности дозирования, рекомендуется:

- проверять калибровку пипеток после 1, 3 и 5 стерилизации, а также после каждых 10 последующих циклов стерилизации в процессе дальнейшей эксплуатации.

Пипетки устойчивы к действию УФ лучей, что подтверждено нашими испытаниями. Рекомендованное расстояние от источника излучения до облучаемого элемента должно составлять не менее 50 см. Слишком длительное, интенсивное облучение может вызвать незначительные изменения внешнего вида цветных элементов, что не повлияет на характеристики пипеток.

**7 - КОМПЛЕКТАЦИЯ**

Пипетки поставляются в комплекте:

- пипетка
- CD
- краткая инструкция по обслуживанию
- калибровочный ключ
- штатив для пипеток

**8 - ЗАПАСНЫЕ ЧАСТИ И ПРИНАДЛЕЖНОСТИ**

Запасные части:

**A: Кнопка пипетирования A1: Кнопка A2: Вороток**

**V: Вороток регулирования объема**

**C: Кнопка сбрасывателя**

**D: Плунжер в комплекте**

**E: Стержень**

**F: Сбрасыватель**

**J: Калибровочный ключ**

**K: Штатив для пипеток**

Способ монтажа штатива показан на рисунке 5.

**Примечание: Замена узла плунжера требует проведения калибровки в соответствии с разделом 5.**

Поврежденные пипетки следует передать на ремонт в пункт сервиса с информацией, какие вещества отмерялись с их помощью.

Все права защищены. Продукты, описанные в настоящей инструкции, доступны в ограниченном количестве и подлежат техническим изменениям. Ошибки допускаются.

PZ HTL S.A. оставляет за собой право на усовершенствование либо иного рода модификацию своих продуктов без предварительного уведомления.

© 2015 PZ HTL S.A.

Producent:

**PZ HTL S.A.**  
Daniszewska 4.  
03-230 Warsaw, Poland  
Tel.: +48 22 492-19-00  
Fax: +48 22 492-19-93  
[www.htl.com.pl](http://www.htl.com.pl)