

DISCOVERY

Comfort

ENGLISH	1 – 16
DEUTSCH	17 – 34
FRANÇAIS	35 – 52
ESPAÑOL	53 – 68
PORTUGUÊS	69 – 84
POLSKI	85 – 102
РУССКИЙ	103 – 120

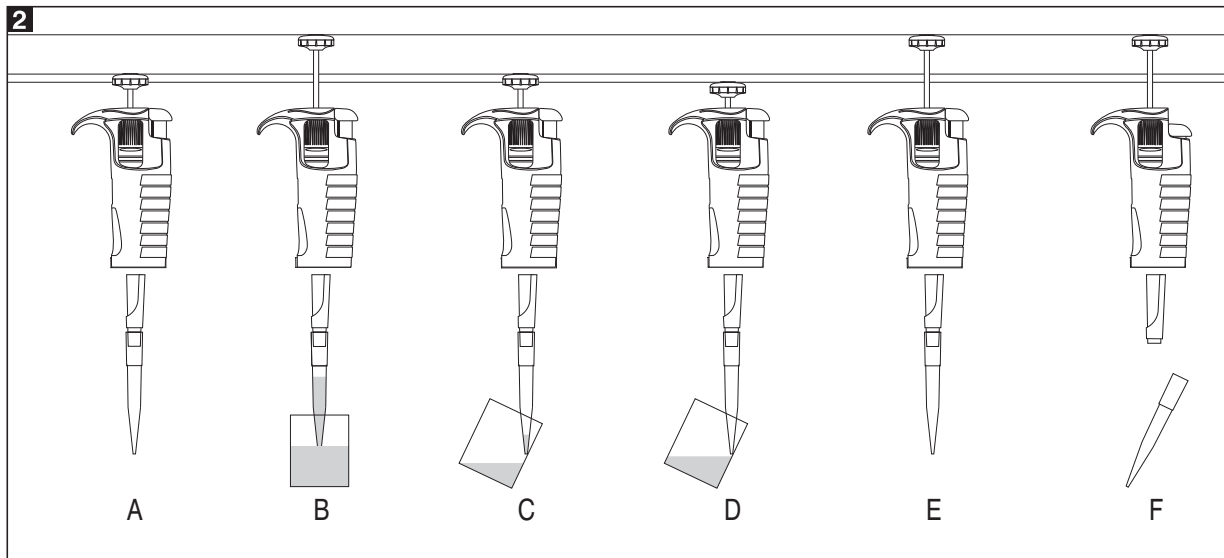
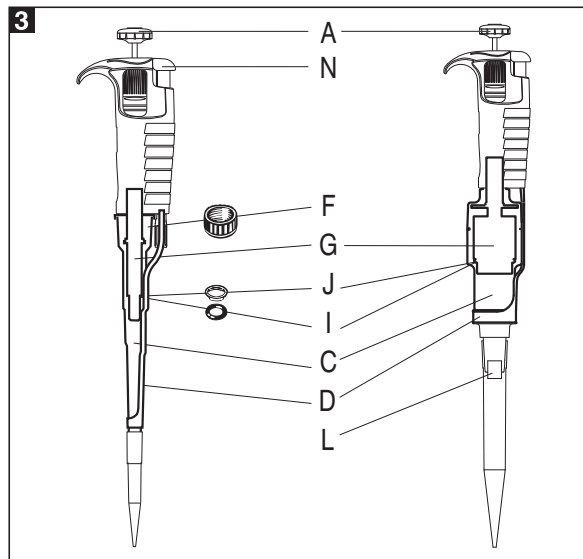
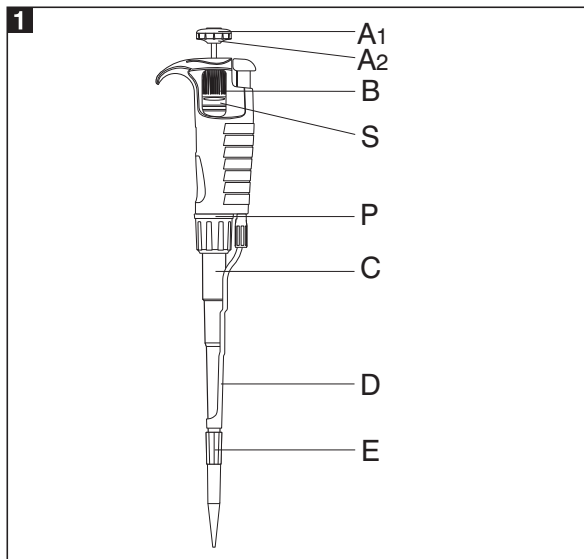
CE IVD



HTL
HTL LAB SOLUTIONS



PZ HTL S.A. is in possession of a registered and certified quality management system which includes the development, production, and sales of high quality Liquid Handling products.



CONTENTS

1 - INTRODUCTION
2 - SETTING THE VOLUME
3 - ASPIRATING AND DISPENSING LIQUIDS
4 - PRE-RINSING
5 - DENSE AND VISCOUS LIQUIDS
6 - HTL PIPETTE TIPS
7 - RECOMMENDATIONS
8 - RECALIBRATION
9 - TROUBLESHOOTING
10 - CLEANING AND STERILIZATION
11 - PIPETTE KIT
12 - SPARE PARTS

1 - INTRODUCTION

The **DISCOVERY Comfort** is a volumetric instrument designed to measure and transfer liquids precisely and safely. It can measure and transfer volumes from 0.1 μl to 10000 μl depending on the model.

The **DISCOVERY Comfort** pipettes are available in two versions which differ in the shaft color:

DV - the shafts are made in a light grey colour for all volumes of pipettes.

D - the shafts are made in red, yellow, green, blue, and white colour depending on the volume range of the pipette.

The **DISCOVERY Comfort** pipettes are equipped with a digital counter which shows the pipetting volume. The set volume is visible in the window on the handle. Volume setting is done by turning of the pipetting pushbutton knob (Fig. 1A2) or by turning the adjustment knob (Fig.1B). The pipette design allows the user to lock the volume setting by pushing the locking ring upwards (Fig.1S). The position of the ring is indicated by the symbols located on the handle. The range of the volume of the aspired liquid is shown on the pipetting pushbutton (Fig. 1A1).

The **DISCOVERY Comfort** pipettes are produced in 10 models, covering the volume range from 0.1 μl to 10000 μl .

Model	Volume range [μl]
DV2, D2	0.1 - 2
DV10, D10	0.5 - 10
DV20, D20	2 - 20
DV50, D50	5 - 50
DV100, D100	10 - 100
DV200, D200	20 - 200
DV250, D250	50 - 250
DV1000, D1000	100 - 1000
DV5000, D5000	500 - 5000
DV10000, D10000	1000 - 10000

DV2, DV10, D2, D10	Measurement and transfer of micro-volumes, DNA sequencing and enzyme-assay applications.
DV20, DV50, DV100, DV200, DV250, DV1000, D20, D50, D100, D200, D250, D1000	Measurement and transfer of general aqueous solution, acids and bases
DV5000, DV10000, D5000, D10000	Measurement and transfer of large volumes

The liquid is aspirated into disposable tips attached to the pipette shaft. Disposable tips ensure maximum safety and eliminate possibility of cross contamination of the liquid samples.

To protect the user from contaminated tips the **DISCOVERY Comfort** is equipped with a built-in tip ejector, (Fig. 1D).

The construction of the ejector enables the user to set up its length. The adjustable tip ejector accommodates most types of tips available on the market. When using narrow tubes, it may be necessary to remove the tip ejector.

- in 2-1000 μl pipettes

Tip ejector disassembly (Fig. 6A)

1. Press the tip ejector button.
2. Turn the ejector bush left to the very end.
3. Slide the ejector from the plastic arbor.

Tip ejector assembly (Fig. 6B)

1. Press the tip ejector button.
2. Place the tip ejector on the arbor.
3. Turn the plastic ejector bush right until it's latched.

Tip ejector adjustment (Fig. 6C)

1. Remove the ejector pushbutton.
2. To increase the ejector length turn the plastic bush to the left.
3. To decrease the ejector length turn the plastic bush to the right.

- in 5000 & 10000 μ l pipettes

Tip ejector disassembly (Fig. 7A)

1. Remove the tip ejector button
2. Use the screwdriver to turn the metal arbor left to unscrew the ejector from the arbor.
3. Release the ejector.

Tip ejector assembly (Fig. 7A)

1. Remove the tip ejector button.
2. Use the screwdriver to turn the metal arbor right to screw the ejector in and adjust its length.

Tip ejector adjustment (Fig. 7A)

1. Remove the ejector pushbutton.
2. Use the screwdriver to increase or decrease the ejector length.

After ejector assembly or adjustment, put the ejector button back on its place.

If above described method of ejector adjustment is not sufficient or the diameter of the ejector opening is too large to eject the tip it is necessary to put the ejector cap "M" onto the ejector, (Fig. 7B).

- in 2 and 10 μ l pipettes (Fig. 7C)

The 2 μ l - 10 μ l pipettes may require the use of an ejector cap "M" to efficiently eject certain brands of pipette tips. Simply place the cap, supplied with the pipette, on the bottom of the pipette shaft and slide the cap upwards until it surrounds the bottom of the tip ejector.

The **DISCOVERY Comfort** is a high quality instrument which offers excellent accuracy and precision.

The accuracy and precision of liquid sampling depend on the quality of tips used. The values for accuracy and precision given in the table below were obtained using **HTL** tips. Only those tips guarantee correct operation of the pipettes and ensure accuracy and precision of liquid sampling.

Model	Cat. no.	Volume [μ l]	Accuracy [%]	Precision [%]	Fit to tips μ l	Shafts color for D
DV2 D2	4041 4051	0.2	± 12.0	± 6.0	10 μ l	red
		1.0	± 2.7	± 1.3		
		Max 2.0	± 1.5	± 0.7		
DV10 D10	4042 4052	Min 0.5	± 4.0	± 2.8	200 μ l	yellow
		5.0	± 1.0	± 0.6		
		Max 10.0	± 0.5	± 0.4		
DV20 D20	4043 4053	Min 2	± 3.0	± 1.5	300 μ l	green
		10	± 1.0	± 0.5		
		Max 20	± 0.8	± 0.3		
DV50 D50	4047 4057	Min 5	± 2.5	± 2.0	1000 μ l	blue
		25	± 1.0	± 0.6		
		Max 50	± 0.8	± 0.4		
DV100 D100	4044 4054	Min 10	± 1.6	± 0.80	5000 μ l	white
		50	± 0.8	± 0.24		
		Max 100	± 0.8	± 0.20		
DV200 D200	4045 4055	Min 20	± 1.2	± 0.60	10000 μ l	
		100	± 0.8	± 0.25		
		Max 200	± 0.6	± 0.20		
DV250 D250	4040 4050	Min 50	± 1.0	± 0.4		
		125	± 0.8	± 0.3		
		Max 250	± 0.6	± 0.3		
DV1000 D1000	4046 4056	Min 100	± 1.6	± 0.40		
		500	± 0.7	± 0.20		
		Max 1000	± 0.6	± 0.15		
DV5000 D5000	4048 4058	Min 500	± 1.2	± 0.50		
		2500	± 0.6	± 0.20		
		Max 5000	± 0.5	± 0.15		
DV10000 D10000	4049 4059	Min 1000	± 2.5	± 0.6		
		5000	± 0.8	± 0.3		
		Max 10000	± 0.5	± 0.2		

The accuracy and precision are obtained with **HTL** tips, using a gravimetric method, performing at least 10 measurements of distilled water at a temperature of $20 \pm 1^\circ\text{C}$, according to EN ISO 8655 standard.

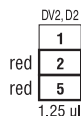
The pipette design enables the user to perform the recalibration process according to the rules presented in section 8.

2 - SETTING THE VOLUME

The volume display shown by the counter has three digits, which should be read from top to bottom. In addition the lowest counter drum is printed in a scale which enables the setting of the volume in the minimum graduation range. Examples of the meanings of the black and red digits:

Pipettes DV2, D2

Red figures at the bottom = 1/100 μ l
Increment = 0.002 μ l



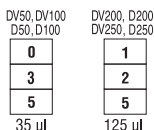
Pipettes DV10, DV20, D10, D20

Red figures at the bottom = 1/10 μ l
Increment = 0.02 μ l



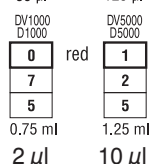
Pipettes DV50, DV100, DV200, DV250, D50, D100, D200, D250

Black figures only = 1 μ l
Increment = 0.2 μ l



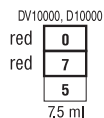
Pipettes DV1000, DV5000, D1000, D5000

Red figures at the top = ml
Increment =



Pipettes DV10000, D10000

Red figures at the top = ml
Increment = 20 μ l



The volume of the pipette is set by the knob in the pipetting pushbutton (Fig. 1A2) or by the black adjustment knob (Fig. 1B). The volume adjustment can be performed when the locking ring is set in the lower position (Fig.5A). When the desired volume is selected, the locking ring should be set in the upper position (Fig.5B). To attain the maximum accuracy, set volume must be approached from a higher value by diminishing counter readings.

- If the desired volume is lower than set volume shown by the counter, the operator should turn the pipetting pushbutton (Fig. 1A2) or the black adjustment knob (Fig. 1B) to the direction diminishing counter readings to the required volume. Before achieving the required volume slowly rotate the knob and observe carefully diminishing reading to avoid accidentally passing the setting value.
- If the desired volume is higher than set volume shown by the counter, the operator should turn the pipetting pushbutton (Fig. 1A2) or the black adjustment knob (Fig. 1B) increasing the value until the lower figure wheel comes

1/3 of a turn beyond the required setting and then slowly backward until the setting reaches the desired volume. Make sure not to pass the setting value.

If the knob is accidentally turned too far, the process must be repeated. The desired volume must always be set from the higher value in the order of decreasing value. Following volume adjustment, set the locking ring into the upper position, thus locking the knob and preventing accidental volume change.

3 - ASPIRATING AND DISPENSING LIQUIDS

Place a tip on the shaft of the pipette. See Section 6 for the appropriate tip. Press the tip on firmly using a slight twisting motion. This will ensure an airtight seal.

Important: Never aspirate liquids without a tip attached.

Aspiration

Press the pushbutton to the first positive stop, (Fig. 2A). Holding the pipette vertically, immerse the tip into the sample liquid. The depth to which the tip is immersed in the sample liquid depends on the model.

Model	Immersion depth (mm)
DV2, D2	≤ 1
DV10, D10	≤ 1
DV20, DV50, DV100, D20, D50, D100	2 ÷ 3
DV200, DV250, DV1000, D200, D250, D1000	2 ÷ 3
DV5000, D5000	3 ÷ 6
DV10000, D10000	5 ÷ 7

Release the pushbutton slowly and smoothly to aspirate the sample, (Fig. 2B). Wait one second and then withdraw the tip from the liquid. When the pipette tip is immersed not as deeply as the recommended depth or when the pipetting pushbutton is rapidly released air may enter the disposable tip.

Avoid touching the orifice of the tip.

Dispensing

- Place the end of the tip against the inside wall of the vessel at an angle of 10 to 40 degrees.
- Press the pushbutton smoothly to the first stop, (Fig. 2C). Wait one second.

- Press the pushbutton to the second stop to expel any remaining liquid, (Fig. 2D).
- Keeping the pushbutton depressed to the very end, remove the pipette by drawing the tip against the inside surface of the receiving vessel.
- Release the pushbutton to its starting position, (Fig. 2E).
- Eject the tip by pressing the tip ejector button, (Fig. 2F). Remember to change the tip whenever a different kind of liquid is to be sampled.

Filters

A replaceable filter installed in a seat in the bottom part of the shaft is used in 5000 μl and 10000 μl pipettes (Fig. 3L). The filter prevents the aspirated liquid from entering into the shaft and thus from polluting the inside of the shaft and the piston. Using the filter is especially important when aspirating and dispensing large volumes of liquid.

If the filter becomes wet during liquid aspiration it should be replaced with a new one.

4 - PRE-RINSING

When pipetting liquids of higher viscosity or lower surface tension than water (e.g. sera or organic solvents), a film of liquid is formed on the inside wall of the pipette tip. This film can create an error. Since the film remains relatively constant in successive pipetting operations with the same tip, this error can be avoided by forming the film before transferring the first sample. This is done by aspirating a sample and dispensing it back into the same vessel. Since the film is already formed, all of the following samples will have better accuracy and repeatability.

This pre-rinsing operation should be repeated when the volume to be aspirated is changed or when a new tip is used.

5 - DENSE AND VISCOUS LIQUIDS

The **DISCOVERY Comfort** specifications of accuracy and precision are based on pipetting distilled water. The handling of liquids with physical qualities of density, viscosity and surface tension differing extremely from water may need a gravimetrically checked compensation of the volume setting. Normally the degree of error resulting from heavy or viscous liquids is negligible if the pipetting is done slowly and carefully. It is most important to give

the liquids some time to follow the change of pressure by holding the pipette tip in its position for at least 2 sec. after the aspiration and the blow out stroke.

If in extreme cases this method of operation does not result in accurate values, a compensation could be achieved as follows:

Weigh the liquid pipetted when the pipette is set to the nominal value. Then calculate the set-off from the nominal value:

$$\text{Corr. val.} = 2 \times \text{nom. val.} - \frac{m}{\gamma}$$

m - weight of the sample

γ - density of liquid

Check this operation once again and correct if necessary. Note the corrected value for further pipetting the same kind of liquid.

6 - HTL PIPETTE TIPS

HTL tips are made from high performance polypropylene and their quality guarantees the precision and accuracy associated with the **DISCOVERY Comfort**. Strict control is maintained throughout the manufacturing process to ensure the highest quality.

The accuracy and precision figures for the **DISCOVERY Comfort** are only guaranteed when **HTL** tips are used. The use of inferior quality tips will seriously degrade the performance of the pipette.

Tips 10

These tips are used for volumes between 0.1 μl and 10 μl . They are used with the DV2, DV10, D2 and the D10 models, which are equipped with the red pushbutton.

Tips 200

These tips are used for volumes between 2 μl and 200 μl . They are used with the DV20, DV50, DV100, DV200, D20, D50, D100 and the D200 models, which are equipped with the yellow pushbutton.

Tips 300

These tips are used for volumes between 50 μl and 250 μl . They are used with the DV250 and the D250 models, which are equipped with the green pushbutton.

Tips 1000

These tips are used for volumes between 100 μl and 1000 μl . They are used with the DV1000 and the D1000 models, which are equipped with the blue pushbutton.

Tips 5000

These tips are used for volumes between 500 μl and 5000 μl . They are used with the DV5000 and the D5000 models, which are equipped with the white pushbutton.

Tips 10000

These tips are used for volumes between 1000 μl and 10000 μl . They are used with the DV10000 and the D10000 models, which are equipped with the white pushbutton.

7 - RECOMMENDATIONS

Observing the following recommendations will ensure maximum possible accuracy and precision of liquid sampling.

- When pipetting the pipette should have the volume setting locked with the locking ring in the upper position.
- Make sure to operate the pipette slowly and smoothly.
- The depth of immersion in the sample liquid should be the minimum necessary and should remain constant during aspiration.
- The pipette should be held in a vertical position.
- Change the tip when volume setting is changed or when a different liquid is to be aspirated.
- Change the tip if a droplet remains on the end of the tip from the previous pipetting operation.
- Each new tip should be pre-rinsed with the liquid to be pipetted.
- Liquid should never enter the pipette shaft. To prevent this:
 - Press and release the pushbutton slowly and smoothly.
 - Never turn the pipette upside down.
 - Never lay the pipette on its side when there is liquid in the tip.
- Never force the volume setting beyond its recommended limits.
- When pipetting liquids with temperatures different from the ambient temperature, it is recommended to pre-rinse the tip several times before use.
- Do not pipette liquids with temperatures above 70°C.
- When pipetting acids or corrosive solutions which emit vapours, it is recommended to disassemble the shaft and to rinse the piston and seal with distilled water after finishing the pipetting operation.

8 - RECALIBRATION

HTL pipettes are calibrated by gravimetric method, using **HTL** tips and distilled water, at the temperature $20 \pm 1^\circ\text{C}$, according to EN ISO 8655 standard.

If during pipette operation you find that the accuracy error (the difference between the real aspirated volume and the preset volume) exceeds the permissible value given in the table in section 1, the pipette recalibration procedure should be carried out.

Before starting the recalibration it is necessary to check whether the following requirements have been fulfilled during error determination:

- the ambient temperature, and the temperature of the pipette, tips and water was identical
- the density of the liquid used is close to that of distilled water
- a balance with appropriate sensitivity has been used.

Volume checked [μl]	Balance sensitivity [mg]
0.1 - 10	≤ 0.001
10 - 100	≤ 0.01
> 100	≤ 0.1

- mg/ μl conversion factor has been taken into account
- the requirements given in sections 3 and 7 have been fulfilled

If the above conditions are ensured and the accuracy error for selected volume given in section 1 exceeds the permissible value, the pipette recalibration procedure should be carried out.

The recalibration can be performed within one full turn of the key to the right or to the left only.

Recalibration conditions:

- Ambient temperature and the temperature of the pipette, tips and liquid should be within the range $20\text{-}25^\circ\text{C}$ and stabilised during weighing within $\pm 0.5^\circ\text{C}$
- Measurements should be conducted using distilled water
- Balance sensitivity should be suitable for the volume to be controlled

Recalibration procedure:

- Set the dose volume depending on the pipette volume according to the following table:

Model	Range of the pipette volumes [μ l]	Preset volume [μ l]	Permissible volumes [μ l]	Volume change ΔV for full turn of the calibration key [μ l] (24 increments)
DV2, D2	0.1 - 2	0.2	0.176 - 0.224	0.06
DV10, D10	0.5 - 10	0.5	0.48 - 0.52	0.33
DV20, D20	2 - 20	2	1.94 - 2.06	0.63
DV50, D50	5 - 50	5	4.875 - 5.125	2.50
DV100, D100	10 - 100	10	9.84 - 10.16	2.50
DV200, D200	20 - 200	20	19.76 - 20.24	6.30
DV250, D250	50 - 250	50	49.5 - 50.5	6.30
DV1000, D1000	100 - 1000	100	98.4 - 101.6	25.00
DV5000, D5000	500 - 5000	500	494 - 506	125.00
DV10000, D10000	1000 - 10000	1000	975 - 1025	250.00

- Perform 5 aspirations, weigh each one and calculate the average value of the aspirations
- Calculate average aspirated volume in μ l multiplying the average aspiration amount [mg] by the distilled water density coefficient [μ l/mg], which depends on temperature and pressure according to the following table:

Temperature [°C]	Pressure [kPa]		
	95.0	101.3	105.0
20	1.0028	1.0029	1.0029
21	1.0030	1.0031	1.0031
22	1.0032	1.0033	1.0033
23	1.0034	1.0035	1.0036
24	1.0037	1.0038	1.0038
25	1.0039	1.0040	1.0040

If the average aspirated volume exceeds the permissible value, the following should be done:

- Remove the pipetting pushbutton, (Fig. 4A),
Warning: The pipetting pushbutton consists of 2 parts: the knob (Fig. 1A2) and the pushbutton (Fig. 1A1). After removal of the pushbutton, both parts are separated.
- Holding the volume setting knob to protect it against rotation, insert the calibration key into the cuts of the calibration screw, (Fig. 4B),

- Turn the key clockwise to reduce the aspirated volume, or counter-clockwise to increase the volume, (Fig. 4C). One full turn of the calibration key changes the pipette aspiration volume by the amount given in the table.
- Take out the key and fix the pipetting pushbutton (Fig. 4D). The pipetting pushbutton should be fixed by placing the knob on the arbor first (Fig. 1A2) and then the pushbutton (Fig. 1A1).

Determine the average aspirated volume. The average volume should be within the permissible range given in the table. If the volume exceeds the values stated, the recalibration procedure should be repeated.

When pipetting liquids with physical properties considerably different from those of water, follow the rules given in section 5.

More information on calibration procedure can be found on www.htl.com.pl

9 - TROUBLESHOOTING

If you notice an improper pipette operation identify the cause and eliminate the fault. To do this, follow the instruction in the sequence provided. Replacement of parts should be required only occasionally, and should not occur under normal pipette use.

Droplets of liquid remain in the pipette tip.

- The tip is emptied too fast.
Decrease the speed of pressing the pipette pushbutton.
- The tip wettability has increased due to extensive use.
Replace the tip with a new one.

Droplets of air appear in the liquid aspirated into the tip.

- The pipette tip immersion is too shallow.
Immerse the tip deeper according to the instructions.
- The pipette tip is incorrectly pressed onto the pipette shaft.
Press the pipette firmly.
- The tip is damaged or worn out due to extensive use.
Replace the tip with a new one.

The pipette incorrectly aspirates the liquid or liquid drops out from the tip.

- The pipette tip is incorrectly pressed onto the pipette shaft.

Press the pipette tip firmly.

- The shaft nut is loose (Fig. 3F) in the models DV/D2-DV/D1000

Tighten the shaft nut.

- The sealing surface of the shaft is cracked or scored.
Remove the tip ejector. Unscrew the shaft nut, inspect the shaft and the piston assembly. Replace the damaged parts (see section 12). When reassembling the pipette, the nut should be hand tightened.

In the models DV/D2, DV/D10 and DV/D20, the damage of the shaft may also cause a damage of the piston assembly. Replace the damaged parts (see section 12). When reassembling the pipette, the nut should be hand tightened.

To remove the tip ejector in models DV/D5000 and DV/D10000, remove the ejector pushbutton (Fig. 3N) and using a screwdriver unscrew the tip ejector by turning the screwdriver counter-clockwise.

- Damage to the piston or seal due to prolonged use with the aggressive liquids.

Disassemble the pipette as described above. Replace the piston, seal and O-ring (see section 12). Rinse the inside of the shaft in distilled water and dry. Lubricate the seal and O-ring with the lubricant, that has been included with each pipette.

The replacement of the piston requires conducting of calibration procedure.

Note: The parts of DV2/D2 and DV/D10 pipette should be lubricated evenly with a minimum amount of lubricant.

- The pipette is reassembled improperly.
Disassemble the pipette and reassemble it, observing the proper sequence of steps (Fig. 3).

- No lubricant on the sealing elements.

Remove the tip ejector. Unscrew the shaft nut, remove the shaft, piston assembly, seal and O-ring. Rinse the removed parts in distilled water and dry thoroughly. Lightly lubricate the inside surfaces of the seal and the O-ring with the included lubricant. Reassemble the pipette in the reverse order.

- Contamination of the inside of the pipette caused by extensive aspiration of chemically aggressive liquids or because liquid got inside the pipette.

Remove the tip ejector. Unscrew the nut, remove the shaft, piston assembly, seal and O-ring. Rinse

the removed parts with distilled water and dry thoroughly. Lightly lubricate the inside surfaces of the seal and the O-ring with the lubricant. Reassemble the pipette in the reverse order.

If you find an increase in the pipetting force, which could happen after repetitive autoclaving of the pipette: Remove the tip ejector. Unscrew the shaft nut, then remove the shaft, piston assembly, seal and O-ring. Rinse the removed parts in distilled water and dry. Lubricate the internal surfaces of the seal and O-ring with lubricant that has been included with each pipette. Reassemble the pipette in opposite order.

Note: All parts of the pipette can be autoclaved (see section 10)

The shaft of the 5000 and 10000 models should be autoclaved without the filter.

If the problem continues after carrying out the above steps, contact your **HTL** representative.

Before returning the pipette, please ensure that the pipette is completely free of any chemical, radioactive or microbiological contamination which could pose a threat during transport and repair. As far as it is possible, clean the pipette.

10 - CLEANING AND STERILIZATION

Cleaning

External surfaces of the pipetting pushbutton, the ejector pushbutton, the handgrip, the shaft nut and the adjustment knob may be cleaned using a cloth dampened in isopropyl alcohol. The remaining parts removed from the pipette during pipette disassembly may be washed with distilled water or isopropyl alcohol.

Warning: Before using cleaning agents other than those recommended by the manufacturer, check the compatibility charts and consider chemical resistance of the following plastics: PEI, PP, PC, POM, PA, PPS, PVDF used to produce the pipette parts.

Sterilization:

The pipette can be sterilized in the autoclave at 121°C for 20 minutes. After sterilization, the pipette should be dried and cooled to room temperature.

It is recommended:

- to sterilize the pipettes in autoclave with an initial vacuum and drying cycle,
- prior to sterilization unscrew the shaft nut slightly in the DV/D2-DV/D1000 pipettes, and unscrew the shaft slightly in the DV/D5000 and DV/D10000. After autoclaving these parts should be screwed tight again.
- to set the locking ring in lower (unlocked) position prior to sterilization

The precision of the results should not alter if the pipetting process and autoclaving are carried out as described in this manual. Because a slight change in the accuracy of the dosage may occur, it is recommended to:

- check the calibration of the pipette after the initial first, third and fifth autoclaving cycles and then after every 10 autoclaving cycles.

The pipettes are UV resistant which was confirmed by our tests. The recommended distance from the radiation source to exposed element should be not less than 50 cm. Prolonged and very intense UV exposure can cause de-coloration of pipette parts, without affecting its performance.

11 - PIPETTE KIT

The pipettes are delivered in the kits including:

- Pipette
- Instruction manual
- Calibration key
- Pipette stand
- Ejector cap (for pipette models DV/D2, DV/D10, DV/D5000, DV/D10000)
- Identification labels
- Filters (for pipette models DV/D5000, DV/D10000)
- Lubricant
- Color identification rings (for pipette models DV/D2 - DV/D1000)

The stand assembly diagram is shown in Fig. 8

12 - SPARE PARTS

The spare parts indicated in Fig. 3, 4, 5 and 7 that is:

- A: Pipetting pushbutton A1: Pushbutton A2: Knob**
- B: Adjustment knob**
- C: Shaft**
- D: Ejector**
- F: Shaft nut**
- G: Piston assembly**
- I: O-ring**
- J: Seal**
- K: Calibration key**
- L: Filter**
- M: Ejector cap**
- N: Ejector pushbutton**
- P: Identification ring**
- S: Locking ring**

can be ordered from your HTL representative (type of pipette and name of the part for this pipette should be specified).

Warning: The replacement of the piston assembly must be followed with calibration procedure (see section 8)

All rights reserved. Product described in this manual is subject to availability and technical modification. Errors excepted.

PZ HTL S.A. reserves the right to improve, enhance or otherwise modify its products without prior notification.

© 2015 PZ HTL S.A.

INHALT

1 - ALLGEMEINES
2 - EINSTELLEN DES VOLUMENS
3 - PIPETTIEREN
4 - VORSPÜLEN
5 - DICHTE UND VISKOSE FLÜSSIGKEITEN
6 - HTL-PIPETTENSPIZTEN
7 - BENUTZUNGSHINWEISE
8 - REKALIBRIERUNG
9 - BESEITIGUNG KLEINER MÄNGEL
10 - REINIGUNG UND STERILISATION
11 - KOMPLETTIERUNG
12 - ERSATZTEILE

1 - ALLGEMEINES

Die **DISCOVERY Comfort** ist ein präzises Volumenmessgerät zur Dosierung und zum Transfer von Flüssigkeiten. Je nach Modell können Volumina von 0.1 μl bis 10000 μl genau dosiert werden.

DISCOVERY Comfort Pipetten werden in zwei farbigen Varianten ausgeführt:

die **DV** - Variante: der Schaft wird bei allen Modellen in der Farbe hellgrau ausgeführt,

die **D** - Variante: der Schaft wird in den Farben rot, gelb, grün, blau oder weiss ausgeführt.

DISCOVERY Comfort Pipetten besitzen eine digitale Volumenanzeige. Das eingestellte Volumen ist auf einer im Handgriff befindlichen Anzeige sichtbar. Die Volumeneinstellung erfolgt mit Hilfe der Schraube im Pipettierdruckknopf (Abb. 1A2) oder durch die Drehung Einstellschraube (Abb. 1B). Die Konstruktion der Pipette ermöglicht die Verriegelung des eingestellten Volumens. Dazu soll man die Bremshülse in die obere Stellung verschieben (Abb. 1S). Die Position der Bremshülse wird durch entsprechende Symbole auf dem Griff angezeigt. Der Volumenbereich wird auf dem Pipettierdruckknopf (Abb. 1A1) angegeben.

DISCOVERY Comfort Pipetten werden in 10 Varianten ausgeführt, die den Volumenbereich von 0.1 μl bis 10000 μl abdecken.

Modell	Einstellbereich [μl]
DV2, D2	0.1 - 2
DV10, D10	0.5 - 10
DV20, D20	2 - 20
DV50, D50	5 - 50
DV100, D100	10 - 100
DV200, D200	20 - 200
DV250, D250	50 - 250
DV1000, D1000	100 - 1000
DV5000, D5000	500 - 5000
DV10000, D10000	1000 - 10000

DV2, DV10, D2, D10	Messung und Dosierung von Mikrovolumen, bei Anwendungen der DNS-Sequenzierung und Enzymbestimmung.
DV20, DV50, DV100, DV200, DV250, DV1000, D20, D50, D100, D200, D250, D1000	Messung und Dosierung von wässrigen Lösungen, Säuren und Basen.
DV5000, DV10000, D5000, D10000	Messung und Dosierung großer Volumen.

Die **DISCOVERY Comfort** wird mit Einweg-Pipettenspitzen aus Polypropylen benutzt, (Abb. 1E).

Die Flüssigkeit wird in die eingesetzten Pipettenspitzen aufgenommen.

ACHTUNG: Nur ein einmaliger Gebrauch von Pipettenspitzen garantiert die Sicherheit und schließt die Kontamination zwischen den Proben aus.

Die **DISCOVERY Comfort** verfügt über einen Spitzenabwerfer. Für Arbeiten in engen Röhrchen kann dieser leicht abgezogen werden.

- *Pipetten eines Volumens von 2-1000 μl*

Demontage des Abwerfers (Abb. 6A)

1. Die Abwerfertaste drücken.
2. Die farbige Abwerferkappe links drehen, bis sie sich löst.
3. Aus dem Plastikschaft abziehen.

Montage des Abwerfers (Abb. 6B)

1. Abwerfertaste bis Anschlag drücken.
2. Die farbige Abwerferkappe auf den Plastikschaft aufsetzen.

3. Gegen den farbige Abwerferkappe rechts bis zur Einrastung (spürbarer Klick) drehen.

Abwerferlänge regulieren (Abb. 6C)

1. Abwerfertaste abziehen.
2. Zwecks verlängerung des abwerfers die farbige abwerferkappe links drehen.
3. Zwecks verkürzung des abwerfers die farbige abwerferkappe rechts drehen.

- *Pipetten eines Volumens von 5000 und 10000 µl*

Demontage des Abwerfers (Abb. 7A)

1. Abwerfertaste abziehen.
2. Den Metallschaft mittels Schraubendreher links drehen bis er sich loslöst.
3. Den Abwerfer abziehen.

Montage des Abwerfers (Abb. 7A)

1. Abwerfertaste abziehen.
2. Den Metallschaft mittels Schraubendreher rechts um ca. 5 mm drehen und seine Lage anpassen.

Länge des Abwerfers regulieren (Abb. 7A)

1. Abwerfertaste abziehen.
2. Zwecks Verlängerung des Abwerfers den Abwerferschaft mittels Schraubendreher gegen links drehen.
3. Zwecks Verkürzung des Abwerfers den Abwerferschaft mittels Schraubendreher rechts drehen. Der Regelbereich beträgt 5 mm.

Nach Regelung oder Montage des Abwerfers die Abwerfertaste wieder aufsetzen.

Wenn die oben beschriebene Methode keinen Erfolg zeigt, oder die Öffnung des Abwerfers zu groß ist, setzen Sie die Abwerferkappe "M" auf den Abwerfer auf, (Abb. 7B).

- *und Pipetten eines volumens 2 - 10 µl (Abb. 7C)*

Die 2 µl - 10 µl Pipetten können die Verwendung eines Abwerfer-Aufsatzes "M" erfordern, damit von verschiedenen Herstellern stammende Spitzen effizient ausgeworfen werden können. Der mitgelieferte Aufsatz ist auf den Schaft aufzustecken und auf das Abwerfer-Endstück so aufzuschieben, dass er dieses umfasst.

Die **DISCOVERY Comfort** ist ein Präzisionsinstrument, dessen Spezifikationen mit den zugehörigen **HTL**-Pipettenspitzen ermittelt worden sind. Die in der nachfolgenden Tabelle angegebenen Werte für Genauigkeit und Präzision können deshalb nur bei der Verwendung von Original-**HTL**-Pipettenspitzen garantiert werden.

Modell	Bestell-Nr.	Volumen [µl]	Genauigkeit [%]	Präzision [%]	Pipettenspitze µl	Schafffarbe D		
DV2 D2	4041 4051	0.2	± 12.0	± 6.0	10 µl	rot		
		1.0	± 2.7	± 1.3				
Max	2.0	± 1.5	± 0.7					
		Min	0.5	± 4.0			± 2.8	
DV10 D10	4042 4052	5.0	± 1.0	± 0.6				
		Max	10.0	± 0.5			± 0.4	
DV20 D20	4043 4053	Min	2	± 3.0	± 1.5	200 µl	gelb	
		10	± 1.0	± 0.5				
Max	20	± 0.8	± 0.3					
		Min	5	± 2.5	± 2.0			
DV50 D50	4047 4057	25	± 1.0	± 0.6				
		Max	50	± 0.8	± 0.4			
DV100 D100	4044 4054	Min	10	± 1.6	± 0.80			
		50	± 0.8	± 0.24				
Max	100	± 0.8	± 0.20					
		Min	20	± 1.2	± 0.60			
DV200 D200	4045 4055	100	± 0.8	± 0.25				
		Max	200	± 0.6	± 0.20			
DV250 D250	4040 4050	Min	50	± 1.0	± 0.4	300 µl	grün	
		125	± 0.8	± 0.3				
Max	250	± 0.6	± 0.3					
		Min	100	± 1.6	± 0.40			
DV1000 D1000	4046 4056	500	± 0.7	± 0.20	1000 µl			blau
		Max	1000	± 0.6				
DV5000 D5000	4048 4058	Min	500	± 1.2		± 0.50		
		2500	± 0.6	± 0.20				
Max	5000	± 0.5	± 0.15					
		Min	1000	± 2.5		± 0.6	5000 µl	
DV10000 D10000	4049 4059	5000	± 0.8	± 0.3				
		Max	10000	± 0.5	± 0.2			

Diese Spezifikationen mit den angegebenen Toleranzen werden bei Anwendung einer gravimetrischen Kontrollmethode erreicht. Dabei wird destilliertes Wasser bei einer Temperatur von 19°C bis 21°C als Probe eingesetzt. Die Pipette, die Spitzen und die Umgebung müssen bei gleicher Temperatur stabilisiert sein. Es müssen mindestens 10 Messungen ausgeführt werden. Die angegebenen Werte umfassen alle Einflussmöglichkeiten durch Handwärme und Spitzenwechsel.

Diese Spezifikationen wurden bei Verwendung von Original **HTL**-Spitzen erreicht.

Kontrollvorschrift: Der gravimetrische Test gemäß der Norm EN ISO 8655.

2 - EINSTELLEN DES VOLUMENS

Das Volumen wird auf der dreistelligen Anzeige von oben nach unten abgelesen. Auf der untersten Anzeige befindet sich zusätzlich eine Skala, die die Volumeneinstellung im Bereich des Teilungswertes ermöglicht.

Beispiele der Kennzeichnungen der schwarzen und roten Ziffern:

Pipetten DV2, D2

rote Ziffern unten = $1/100 \mu\text{l}$

Skalenteilung = $0.002 \mu\text{l}$

DV2, D2	
rot	1
rot	2
rot	5
1.25 μl	

Pipetten DV10, DV20, D10, D20

rote Ziffern unten = $1/10 \mu\text{l}$

Skalenteilung = $0.02 \mu\text{l}$

DV10, D10	
0	rot
7	rot
5	rot
7.5 μl	

DV20, D20	
1	rot
2	rot
5	rot
12.50 μl	

Pipetten DV50, DV100, DV200, DV250, D50, D100, D200, D250

nur schwarze Ziffern = μl

Skalenteilung = $0.2 \mu\text{l}$

DV50, DV100 D50, D100	
0	rot
3	rot
5	rot
35 μl	

DV200, D200 DV250, D250	
1	rot
2	rot
5	rot
125 μl	

Pipetten DV1000, DV5000, D1000, D5000

rote Ziffern oben = ml

Skalenteilung =

DV1000 D1000	
0	rot
7	rot
5	rot
0.75 ml	

DV5000 D5000	
1	rot
2	rot
5	rot
1.25 ml	

Pipetten DV10000, D10000

Rote Ziffern oben = ml

Skalenteilung = $20 \mu\text{l}$

DV10000, D10000	
rot	0
rot	7
rot	5
7.5 ml	

Das Pipettenvolumen wird mit Hilfe des Rädchens im Pipettierknopf (Abb. 1A2) oder des Volumeneinstellrädchens (Abb. 1B) eingestellt. Eine Volumenänderung ist möglich, wenn sich die Bremshülse in der unteren Stellung befindet (Abb. 5A). Nach Einstellung des gewünschten Volumens soll die Bremshülse in die obere Position verschoben werden (Abb. 5B). Die höchste Genauigkeit wird erreicht, wenn von einem höheren Volumen ausgegangen und die Anzeige des Zählers so lange verringert wird, bis der gewünschte Wert erreicht ist.

• Wenn das gewünschte Volumen geringer ist als das auf dem Zähler eingestellte, muss die Anzeige des Zählers durch das Drehen des Rädchens im Pipettierknopf

(Abb. 1A2) oder des Volumeneinstellrädchens (Abb. 1B) auf die gewünschte Größe verringert werden. Vor dem Erreichen der gewünschten Größe muss man die Drehgeschwindigkeit verringern und darauf achten, dass die einzustellende Größe nicht unterschritten wird.

- Wenn das gewünschte Volumen größer ist als das auf dem Zähler eingestellte, muss die Anzeige des Zählers durch das Drehen des Rädchens im Pipettierdruckknopf oder des Volumeneinstellrädchens auf einen Wert erhöht werden, der das gewünschte Volumen um ca. $1/3$ Umdrehung der untersten Trommel überschreitet. Anschließend wird die Einstellung durch langsames Drehen auf die gewünschte Größe herabgesetzt, wobei darauf geachtet werden muss, dass sie nicht unterschritten wird.

Beim Unterschreiten der gewünschten Größe muss der Einstellvorgang wiederholt werden. Das gewünschte Volumen muss immer von einem höheren Volumen ausgehend durch die Verringerung der Anzeige des Zählers eingestellt werden.

Nach Einstellung des Volumens soll man die Bremshülse in die obere Position verschieben, was die Verriegelung der Einstallschraube zur Folge hat und somit eine versehentliche Verstellung des Pipettenvolumens verhindert.

3 - PIPETTIEREN

Die passende Spitze auf den Schaft der Pipette aufstecken. Die Wahl der entsprechenden Spitze ist im Abschnitt 6 beschrieben. Die Spitze wird durch eine Drehbewegung auf den Schaft fest gedrückt. Dies gewährleistet eine dichte Verbindung.

Achtung: Niemals Flüssigkeiten mit einer DISCOVERY Comfort ohne Spitze aufnehmen.

Ansaugen

- Den Druckknopf bis zum ersten Druckpunkt eindrücken, (Abb. 2A).
- Die Pipette senkrecht halten und die Spitze in die Probeflüssigkeit eintauchen. Die Tiefe, bis zu der die Spitze in die Probeflüssigkeit eingetaucht wird, hängt vom Modell ab:

Modell	Eintauchtiefe (mm)
DV2, D2	≤ 1
DV10, D10	≤ 1
DV20, DV50, DV100, D20, D50, D100	2 ÷ 3
DV200, DV250, DV1000, D200, D250, D1000	2 ÷ 3
DV5000, D5000	3 ÷ 6
DV10000, D10000	5 ÷ 7

- Den Druckknopf langsam loslassen, um die Probe anzusaugen, (Abb. 2B).
- Eine Sekunde lang warten und dann die Spitze aus der Flüssigkeit herausnehmen.
- Eventuell auf der Oberfläche der Pipettenspitze vorhandene Flüssigkeit mit einem Tuch abwischen. Bei geringerer Eintauchtiefe der Pipettenspitze als empfohlen oder bei einem zu schnellen Loslassen des Pipettierknopfes kann Luft aufgenommen werden.

Die Öffnung der Spitze nicht berühren.

Ausstoßen

- Das Ende der Spitze in einem Winkel von 10 bis 40 Grad gegen die Innenwand des Gefäßes halten.
- Den Druckknopf langsam bis zum ersten Druckpunkt herunterdrücken, (Abb. 2C).
- Eine Sekunde lang warten.
- Den Druckknopf bis zum zweiten Druckpunkt herunterdrücken, um restliche Flüssigkeit auszustoßen, (Abb. 2D).
- Die Pipette mit ganz gedrücktem Druckknopf herausnehmen, indem die Spitze an der Innenwand des Gefäßes entlang gezogen wird. Den Druckknopf loslassen, (Abb. 2E).
- Die Spitze durch Drücken des Spitzenabwerfers abwerfen, (Abb. 2F).

Achtung: Die Spitze muss gewechselt werden, wenn eine andere Probe pipettiert oder die Volumeneinstellung geändert wird.

Filter

In den Pipetten 5000 µl und 10000 µl wurde ein austauschbares Filter angewandt, welches in der Öffnung im unteren Schaftteil montiert wurde (Abb. 3L). Dieses Filter stellt sicher, dass die entnommene Flüssigkeit nicht in

den Schaft gelangt. Dadurch wird gewährleistet, dass Schaft und Kolbeneinheit von innen nicht verunreinigt werden. Wesentliche Bedeutung hat der Einsatz eines Filters bei der Entnahme und Ausgabe von Flüssigkeit eines großen Volumens.

Es muss ein neues Filter eingesetzt werden, falls es bei der Entnahme von Flüssigkeit befeuchtet werden sollte.

4 - VORSPÜLEN

Beim Dosieren von Flüssigkeiten, die eine höhere Viskosität oder eine niedrigere Oberflächenspannung haben als Wasser (z.B. Serum oder org. Lösungsmittel), bildet sich ein Flüssigkeitsfilm auf der Innenseite der Pipettenspitze. Da diese Benetzung bei aufeinander folgenden Pipettierungen mit derselben Spitze relativ konstant bleibt, kann dieser Fehler dadurch vermieden werden, dass die Benetzung vor Aufgabe der ersten Probe erfolgt. Dazu wird eine Probe angesaugt und wieder in dasselbe Gefäß ausgestoßen. Da sich der Film bereits gebildet hat, werden alle folgenden Proben eine höhere Genauigkeit und Wiederholbarkeit aufweisen.

Dieses Vorspülen sollte immer dann wiederholt werden, wenn das anzusaugende Volumen geändert oder eine neue Spitze benutzt wird.

5 - DICHT E UND VISKOSE FLÜSSIGKEITEN

Die für **DISCOVERY Comfort** angegebenen Werte für Genauigkeit und Präzision beziehen sich auf destilliertes Wasser. Für Flüssigkeiten, die sich in ihren physikalischen Eigenschaften wie Dichte, Viskosität und Oberflächenspannung erheblich vom Wasser unterscheiden, muss gegebenenfalls eine Kompensation gravimetrisch ermittelt werden.

Im Normalfall genügt es allerdings, wenn man etwas langsamer arbeitet und sowohl nach dem Ansaugen als auch nach dem Auspipettieren mindestens 2 Sekunden lang wartet, bevor die Pipettenspitze bewegt wird, damit die Flüssigkeit Zeit hat, dem Druckunterschied zu folgen.

In Ausnahmefällen, soweit diese Vorgehensweise nicht das Erzielen von genauen Ergebnissen bei der Verwendung der Pipette gewährleistet:

- mit dem Drehknopf das anzusaugende Volumen an der Pipette einstellen und die Flüssigkeit aufnehmen

- das Gewicht des aufgenommenen Flüssigkeitsvolumens messen
- anschließend den Wert einer neuen Einstellung nach der folgenden Formel ermitteln

$$\text{Neueinstellung} = 2 \times \text{Nennwert (aufzunehmendes Volumen)} - \frac{m}{\gamma}$$

m - Masse der beim ersten Pipettieren aufgenommenen Flüssigkeit

γ - Dichte der aufzunehmenden Flüssigkeit

Dieses Schema ist zur Vermeidung von möglichen Fehlern zu wiederholen. Den Wert der Korrektur, also der Differenz zwischen dem an der Pipette eingestellten Volumen und dem tatsächlich aufgenommenen Wert kann man notieren, um ihn bei späterem Pipettieren derselben Flüssigkeit zu verwenden.

6 - HTL-PIPETTENSPIZEN

HTL-Spitzen werden aus hochwertigem Polypropylen hergestellt. Ihre Qualität garantiert zusammen mit der **DISCOVERY Comfort** Genauigkeit und Präzision. Strenge Kontrollen während des gesamten Herstellungsprozesses gewährleisten höchste Qualität. Die Werte für Genauigkeit und Präzision für die **DISCOVERY Comfort** werden nur garantiert, wenn sie mit **HTL-Spitzen** benutzt wird. Die Verwendung von Spitzen minderer Qualität beeinträchtigt erheblich die Qualität der Pipettierungen.

Spitzen 10

Spitzen zur Entnahme von Flüssigkeit eines Volumens von 0.1 μl bis 10 μl . Geeignet für Pipetten Typ DV2, DV10, D2 und D10 mit rotem Pipettierdruckknopf.

Spitzen 200

Spitzen zur Entnahme von Flüssigkeit eines Volumens von 2 μl bis 200 μl . Geeignet für Pipetten Typ DV20, DV50, DV100, DV200, D20, D50, D100 und D200 mit gelbem Pipettierdruckknopf.

Spitzen 300

Spitzen zur Entnahme von Flüssigkeit eines Volumens von 50 μl bis 250 μl . Geeignet für Pipetten Typ DV250 und D250 mit grünem Pipettierdruckknopf.

Spitzen 1000

Spitzen zur Entnahme von Flüssigkeit eines Volumens von 100 μl bis 1000 μl . Geeignet für Pipetten Typ DV1000 und D1000 mit blauem Pipettierdruckknopf.

Spitzen 5000

Spitzen zur Entnahme von Flüssigkeit eines Volumens von 500 μl bis 5000 μl . Geeignet für Pipetten Typ DV5000 und D5000 mit weißem Pipettierdruckknopf.

Spitzen 10000

Spitzen zur Entnahme von Flüssigkeit eines Volumens von 1000 bis 10000 μl . Geeignet für Pipetten Typ DV10000 und D10000 mit weißem Pipettierdruckknopf.

7 - BENUTZUNGSHINWEISE

Die folgenden Benutzungshinweise gewährleisten höchste Genauigkeit und Präzision der Messwerte der **DISCOVERY Comfort**:

- Bei der Arbeit soll die Volumeneinstellung der **DISCOVERY Comfort** Pipette mittel der Bremshülse verriegelt sein.
- Sicherstellen, dass mit der **DISCOVERY Comfort** behutsam gearbeitet wird.
- Die Tiefe des Eintauchens in die Probenflüssigkeit sollte so gering wie möglich sein und während des Ansaugens konstant bleiben.
- Die **DISCOVERY Comfort** senkrecht halten.
- Die Spitze wechseln, wenn die Volumeneinstellung geändert wird oder wenn eine andere Flüssigkeit pipettiert werden soll.
- Die Spitze wechseln, wenn ein Tropfen von der vorherigen Pipettierung am Spitzenende hängen bleibt.
- Jede neue Spitze mit der zu pipettierenden Flüssigkeit vorspülen.
- Es darf niemals Flüssigkeit in den Pipettenschaft eintreten. Um das zu vermeiden:
 - den Druckknopf behutsam herunterdrücken und loslassen,
 - die Pipette stets senkrecht halten,
 - die Pipette niemals hinlegen, wenn sich Flüssigkeit in der Spitze befindet.
- Das Mikrometer niemals überdrehen.
- Vor dem Pipettieren von Flüssigkeiten mit anderen Temperaturen als der Umgebungstemperatur die Spitze mehrmals vorspülen.
- Keine Flüssigkeiten mit Temperaturen über 70°C pipettieren.

- Nach der Pipettierung von Säuren oder ätzenden Flüssigkeiten sollte der Schaft losgeschraubt und Kolben und Dichtung mit destilliertem Wasser gespült werden.

8 - REKALIBRIERUNG

HTL-Pipetten sind nach dem gravimetrischen Verfahren kalibriert, unter Einsatz von HTL-Spitzen und destilliertem Wasser, bei einer Temperatur von $20 \pm 1^\circ\text{C}$ gemäß der Norm EN ISO 8655.

Falls bei der Benutzung der Pipette festgestellt wird, dass der Genauigkeitsfehler (Differenz zwischen dem Istwert des entnommenen Volumens und dem Sollwert) den zulässigen Wert überschreitet, der in der Tabelle in Kapitel 1 angegeben wird, ist eine Rekalibrierung der Pipette vorzunehmen.

Vor dem Beginn der Rekalibrierung ist zu prüfen, ob bei der Bestimmung des Fehlers die unten stehenden Bedingungen erfüllt wurden:

- Die Temperatur der Umgebung, der Pipette, der Spitzen und des Wassers war identisch.
- Die Dichte der verwendeten Flüssigkeit hatte einen Wert, der dem von destilliertem Wasser nahe lag.
- Es wurde eine Waage von entsprechender Empfindlichkeit eingesetzt.

Geprüftes Volumen [μl]	Empfindlichkeit der Waage [mg]
0.1 - 10	≤ 0.001
10 - 100	≤ 0.01
> 100	≤ 0.1

- Der Umrechnungsfaktor $\text{mg}/\mu\text{l}$ wurde berücksichtigt.
- Die in den Kapiteln 3 und 7 angeführten Anforderungen wurden erfüllt. Falls die obigen Bedingungen erfüllt wurden, und der Genauigkeitsfehler für das ausgewählte Volumen, angegeben in Kapitel 1, den zulässigen Wert überschreitet, ist eine Rekalibrierung der Pipette vorzunehmen.

Die Rekalibrierung kann nur im Bereich jeweils einer vollen Umdrehung des Schlüssel nach links oder rechts ausgeführt werden.

Bedingungen einer Rekalibrierung:

- Die Temperatur der Umgebung, der Pipette, der Spitze und der Flüssigkeit soll in den Grenzen von $20 - 25^\circ\text{C}$

liegen und beim Wägen im Bereich $\pm 0.5^\circ\text{C}$ stabilisiert werden.

- Bei den Messungen ist destilliertes Wasser zu verwenden.
- Die Empfindlichkeit der Waage muss dem geprüften Volumen entsprechen.

Verfahrensweise bei der Rekalibrierung:

- Dosisvolumen je nach dem Volumen der Pipette gemäß der folgenden Tabelle einstellen.

Modell	Volumenbereich der Pipette [μl]	Eingestelltes Volumen [μl]	Zulässige Werte [μl]	Volumenänderung bei voller Umdrehung des Kalibrierschlüssels [μl] (24 Skalenteilungen)
DV2, D2	0.1 - 2	0.2	0.176 - 0.224	0.06
DV10, D10	0.5 - 10	0.5	0.48 - 0.52	0.33
DV20, D20	2 - 20	2	1.94 - 2.06	0.63
DV50, D50	5 - 50	5	4.875 - 5.125	2.50
DV100, D100	10 - 100	10	9.84 - 10.16	2.50
DV200, D200	20 - 200	20	19.76 - 20.24	6.30
DV250, D250	50 - 250	50	49.5 - 50.5	6.30
DV1000, D1000	100 - 1000	100	98.4 - 101.6	25.00
DV5000, D5000	500 - 5000	500	494 - 506	125.00
DV10000, D10000	1000 - 10000	1000	975 - 1025	250.00

- Fünf Entnahmen vornehmen, diese jedesmal wägen und den Mittelwert dieser Entnahmen berechnen.
- Das mittlere entnommene Volumen in μl berechnen, indem der Mittelwert der Entnahmen in [mg] durch den temperatur- und druckabhängigen Dichtekoeffizienten des destillierten Wassers [$\mu\text{l}/\text{mg}$] gemäß der folgenden Tabelle multipliziert wird.

Temperatur [$^\circ\text{C}$]	Druck [kPa]		
	95.0	101.3	105.0
20	1.0028	1.0029	1.0029
21	1.0030	1.0031	1.0031
22	1.0032	1.0033	1.0033
23	1.0034	1.0035	1.0036
24	1.0037	1.0038	1.0038
25	1.0039	1.0040	1.0040

Wenn das mittlere entnommene Volumen über den zulässigen Werten liegt, ist folgendermaßen vorzugehen:

- Den Pipettierdruckknopf entfernen, (Abb. 4A).

Hinweis: Der Pipettierdruckknopf besteht aus zwei Teilen: einer Schraube (Abb. 1A2) und einem Druckknopf (Abb. 1A1). Nach der Abnahme des Druckknopfes werden beide Teile voneinander getrennt.

- Die Einstellschraube so halten, dass sie vor einer Umdrehung gesichert ist, und den Kalibrierschlüssel in die Kanäle der Kalibrierschraube einstecken. (Abb. 4B).
- Zwecks Verringerung des entnommenen Volumens den Schlüssel im Uhrzeigersinn bzw. entgegen dem Uhrzeigersinn zwecks Erhöhung des entnommenen Volumens drehen, (Abb 4C),
Je eine volle Umdrehung des Kalibrierschlüssels ändert das zu entnehmende Volumen der Pipette um die in der Tabelle angegebenen Werte,
- Den Kalibrierschlüssel entfernen und den Pipettierdruckknopf (Abb. 4D) aufsetzen. Der Pipettierdruckknopf wird eingebaut, indem man zuerst die Schraube (Abb. 1A2) und dann den Druckknopf (Abb. 1A1) auf der Druckstange befestigt.

Mittleres entnommenes Volumen bestimmen. Das mittlere Volumen soll im Bereich der zulässigen Werte liegen, die in der Tabelle angegeben sind. Wenn dieses Volumen die angegebenen Werte überschreitet, ist die Rekalibrierung zu wiederholen.

Beim Pipettieren von Flüssigkeiten, deren physikalische Eigenschaften sich wesentlich von den Eigenschaften des Wassers unterscheiden, ist gemäß Kapitel 5 vorzugehen.

Mehr Informationen über die Kalibrierung sind der Seite www.htl.com.pl zu entnehmen.

9 - BESEITIGUNG KLEINER MÄNGEL

Wenn die Pipette fehlerhaft arbeitet, muss die Ursache geprüft und der Fehler beseitigt werden. Bei der Beseitigung des Fehlers muss man entsprechend der in der Bedienungsanleitung angegebenen Reihenfolge vorgehen. Der Austausch der Teile soll als äußerste Notwendigkeit angesehen werden, denn bei einem sachgemäßen Gebrauch treten solche Mängel nicht auf.

In der Pipettenspitze verbleiben Flüssigkeitstropfen

- Zu schnelle Entleerung der Pipettenspitze
Die Geschwindigkeit des Drückens auf den Pipettierdruckknopf verlangsamen

- Erhöhte Benetzbarkeit der Pipettenspitze, verursacht durch häufigen Gebrauch

Die Pipettenspitze gegen eine neue austauschen

In der Flüssigkeit, die in die Pipettenspitze aufgenommen wurde, bilden sich Luftbläschen

- Zu geringe Eintauchtiefe der Pipettenspitze
Die Pipettenspitze tiefer eintauchen, gemäß der Bedienungsanleitung
- Zu schnelle Flüssigkeitsentnahme
Langsamer die Flüssigkeit entnehmen
- Die Pipettenspitze sitzt zu locker auf dem Pipettenschaft
Die Pipettenspitze fester auf den Schaft drücken
- Die Pipettenspitze ist beschädigt oder wurde zu häufig gebraucht
Die Pipettenspitze gegen eine neue austauschen

Die Pipette entnimmt fehlerhaft die Flüssigkeit oder die Flüssigkeit tropft aus der Pipettenspitze

- Die Pipettenspitze sitzt zu locker auf dem Pipettenschaft.
Die Pipettenspitze stärker auf den Schaft drücken.
- Die Rändelmutter ist lose (Abb. 3F).
Die Rändelmutter anziehen.
- Brüche oder Risse auf der Dichtungsfläche des Schaftes
Den Spitzenabwerfer abnehmen, die Rändelmutter lösen, Schaft und Kolbeneinheit prüfen. Die beschädigten Teile auswechseln (s. Abschnitt 12), die Pipette durch Festschrauben der Mutter montieren. Bei den Pipetten DV/D2, DV/D10 und DV/D20 kann ein defekter Schaft die Beschädigung der Kolbeneinheit verursachen. Die defekten Teile auswechseln (s. Kapitel 12), die Pipette wieder zusammensetzen und die Rändelmutter fest anziehen. Um den Abwerfer der Pipetten DV/D5000 und DV/D10000 auszubauen, muss der Abwerferdruckknopf (Abb. 3N) abgenommen werden. Anschließend wird mit Hilfe eines Schraubenziehers der Abwerfer gelöst, in dem man den Schraubenzieher entgegen der Uhrzeigerrichtung dreht.

- Beschädigung des Kolbens oder der Pipettendichtung, verursacht durch häufige Entnahme von aggressiven Flüssigkeiten.

Die Pipette wie oben angegeben auseinandernehmen. Kolbeneinheit, Dichtung und O-Ring auswechseln (s. Kapitel 12). Die Innenfläche des

Schafte mit destilliertem Wasser reinigen. Die Dichtung und den O-Ring mit dem beigefügten Schmierfett behandeln.

Der Austausch des Kolbens erfordert eine erneute Kalibrierung.

Bei den Pipetten DV/D2, DV/D10 muss darauf geachtet werden, dass die zu fettenden Teile gleichmäßig mit einer minimalen Schmierfettmenge bedeckt werden.

- Unsachgemäßes Zusammensetzen der Pipette **Die Pipette auseinandernehmen und erneut zusammensetzen, wobei die vorgeschriebene Reihenfolge der Montage eingehalten werden muss. (Abb. 3).**

- Auf den Dichtungselementen befindet sich kein Schmierfett

Den Abwerfer abnehmen. Die Rändelmutter lösen. Schaft, Kolbeneinheit und O-Ring herausnehmen. Die entnommenen Teile mit destilliertem Wasser reinigen und trocknen. Die Innenflächen der Dichtung und des O-Rings leicht mit dem beigefügten Schmierfett behandeln. Die Pipette in umgekehrter Reihenfolge wieder zusammensetzen.

- Verunreinigungen des Innenteils der Pipette, verursacht durch häufige Entnahme von aggressiven chemischen Flüssigkeiten oder durch ein Überfließen des Innenteils der Pipette.

Den Abwerfer abnehmen, die Rändelmutter lösen, den Schaft, Kolbeneinheit, die Dichtung und den O-Ring herausnehmen. Die ausgebauten Teile mit destilliertem Wasser reinigen und trocknen. Die Innenfläche der Dichtung und des O-Rings leicht mit Schmierfett behandeln. Die Pipette erneut zusammensetzen.

Wenn ein Anstieg der Pipettierkraft festgestellt wird, was nach einer mehrmaligen Autoklavenbehandlung der Pipette erfolgen kann.

Den Abwerfer entfernen. Die Schraube, die den Schaft befestigt, lösen. Den Schaft, die Kolbeneinheit, die Dichtung und den O-Ring herausnehmen. Die entnommenen Teile mit destilliertem Wasser reinigen und trocknen. Die Innenflächen der Dichtung und des O-Rings leicht mit dem beigefügten Schmierfett behandeln. Die Pipette in umgekehrter Reihenfolge wieder zusammensetzen.

Hinweis: Alle Pipettenteile können autoklaviert werden (s. Kapitel 10).

Der Schaft der Pipetten 5000 und 10000 muss ohne Filter autoklaviert werden.

Wenn die oben beschriebene Vorgehensweise keine Verbesserung der Pipettierfunktion bringt, senden Sie bitte die Pipette an den **HTL-Service**.

Vor dem Versand muss geprüft werden, ob die Pipette nicht mit aggressiven chemischen, radioaktiven oder mikrobiologischen Reagenzien kontaminiert ist, was eine Gefährdung während des Transports und der Reparatur darstellen könnte.

Im Rahmen der Möglichkeiten die Pipette reinigen.

10 – REINIGUNG UND STERILISATION

Reinigung:

Die Außenflächen des Pipettierdruckknopfes, des Abwerferdruckknopfes, des Handgriffs und der Kalibrierschraube kann man mit einem mit Isopropanol getränkten Tuch reinigen. Die übrigen bei der Demontage entnommenen Pipettenteile können mit destilliertem Wasser oder ebenfalls mit Isopropanol gereinigt werden.

Achtung: Vor dem Einsatz von anderen Reinigungsmitteln als vom Hersteller empfohlen, nehmen Sie bitte Einsicht in die Tabellen für die Verträglichkeit von Werkstoffen, aus denen die Pipettenteile ausgeführt sind: PEI, PP, PC, POM, PA, PPS, PVDF.

Sterilisation:

Die komplette Pipette kann in einem Autoklaven bei einer Temperatur von 121°C 20 Minuten lang sterilisiert werden. Nach der Sterilisation muss die Pipette getrocknet und auf Zimmertemperatur abgekühlt werden.

Es wird empfohlen:

- die Pipetten in einem Autoklaven mit Vakuumvorbehandlung und Trocknung zu sterilisieren,
- vor der Sterilisation bei den Pipetten DV/D2 – DV/D1000 die Mutter, die den Schaft befestigt, und bei den Pipetten DV/D5000 und DV/D10000 den Schaft selbst leicht zu lösen. Nach der Autoklavenbehandlung müssen diese Teile wieder angezogen werden,
- vor Sterilisation bitte die Bremshülse in die untere Stellung bringen.

Bei sachgemäßem Gebrauch und vorschriftsgemäßer Autoklavenbehandlung bleibt die Wiederholbarkeit der Ergebnisse erhalten. Weil eine minimale Änderung der Dosiergenauigkeit auftreten kann, wird empfohlen,

- die Kalibrierung der Pipetten nach der 1., 3. und 5. Autoklavenbehandlung und dann nach jeden 10 Autoklavenzyklen zu prüfen.

Hinweis: Der Schaft der Pipetten 5000 und 10000 muss ohne Filter autoklaviert werden.

Die Pipetten sind gegen UV-Strahlung beständig, was durch unsere Tests bestätigt wurde. Der empfohlene Abstand zwischen der Strahlungsquelle und dem bestrahlten Element sollte mindestens 50 cm betragen. Zu lang andauernde, intensive Bestrahlung kann eine geringe Änderung der Ästhetik farbiger Elemente des Pipetten verursachen, ohne die Parameter des Pipetten zu beeinflussen.

11 - KOMPLETTIERUNG

Die Pipetten sind mit folgenden Komponenten geliefert:

- Pipette
- Bedienungsanleitung
- Kalibrierschlüssel
- Ständer für Pipetten
- Abwerferkappe (bei DV/D2, DV/D10, DV/D5000 und DV/D10000)
- Identifizierungsaufkleber
- Filter (bei DV/D5000 und DV/D10000)
- Schmierfett
- Identifikationsringe (bei DV/D2 - DV/D1000)

Das Montageschema des Ständers ist in der Abbildung 8 dargestellt.

12 - ERSATZTEILE

Pipettenteile (Abb. 3, 4, 5, 7):

A: Pipettierdruckknopf A1: Druckknopf A2: Schraube

B: Volumeneinstellschraube

C: Schaft

D: Spitzenabwerfer

F: Rändelmutter

G: Kolbeneinheit

I: O-Ring

J: Teflondichtung

K: Kalibrierschlüssel

L: Filter

M: Abwerferkappe

N: Abwerferdruckknopf

P: Identifikationsring

S: Bremschülse

können Sie bei der zuständigen **HTL**-Vertretung bestellen. Bei der Bestellung bitte die genaue Bezeichnung des Teiles und das entsprechende Pipettenmodell angeben.

Zur Beachtung: Der Austausch der Kolbeneinheit bedarf einer Rekalibrierung gemäß Kapitel 8.

Alle Rechte vorbehalten. Die in der vorliegenden Anweisung beschriebenen Produkte sind in begrenztem Umfang erhältlich und unterliegen technischen Änderungen. Die Fehler sind zulässig.

PZ HTL S.A. behält sich das Recht vor, Verbesserungen oder ähnliche Modifizierungen seiner Produkte ohne vorherige Mitteilung vorzunehmen.

© 2015 PZ HTL S.A.

SOMMAIRE

1 - GÉNÉRALITÉS
2 - REGLAGE DU VOLUME
3 - ASPIRATION ET DISTRIBUTION DU LIQUIDE
4 - PRE-RINCAGE DU CÔNE
5 - SOLUTIONS DENSES ET VISQUEUSES
6 - CÔNES DE PRELEVEMENT HTL
7 - RECOMMANDATIONS
8 - RECALIBRAGE
9 - ELIMINATION DE PETITS DEFAUTS
10 - NETTOYAGE ET STERILISATION
11 - CONTENU DE L'EMBALLAGE
12 - PIÈCES DÉTACHÉES

1 - GÉNÉRALITÉS

La **DISCOVERY Comfort** est un instrument volumétrique à piston destiné à mesurer et à transférer, avec exactitude et répétabilité, des volumes allant de 0,1 µl à 10000 µl.

Pipettes **DISCOVERY Comfort** existent en deux couleurs:

version **DV** - les embouts porte-cônes sont de couleur gris pâle pour tous les modèles,

version **D** - version des pipettes non standard, vendue sur commande spéciale. Les embouts porte-cônes sont de couleur rouge, jaune, vert, bleu ou blanc.

Les pipettes **DISCOVERY Comfort** sont équipées d'un volumètre numérique. Le volume réglé est visible dans la fenêtre de l'embout. Le réglage du volume s'effectue à l'aide de la vis du bouton poussoir (Fig. 1A2) ou en tournant la vis de réglage de volume (Fig. 1B). La construction de la pipette permet de bloquer le volume réglé. Dans ce but, il faut déplacer l'anneau de frein vers la position supérieure (Fig.1S). La position de l'anneau est indiquée par les symboles sur la poignée. Le volume est inscrit sur le bouton poussoir (Fig. 1A1).

Les pipettes **DISCOVERY Comfort** existent en 10 modèles dont les volumes varient de 0.1 µl à 10000 µl.

Modèle	Gamme de volume recommandé [µl]
DV2, D2	0.1 - 2
DV10, D10	0.5 - 10
DV20, D20	2 - 20
DV50, D50	5 - 50
DV100, D100	10 - 100
DV200, D200	20 - 200
DV250, D250	50 - 250
DV1000, D1000	100 - 1000
DV5000, D5000	500 - 5000
DV10000, D10000	1000 - 10000

DV2, DV10, D2, D10	Mesure et transfert de micro-volumes, séquençage de l'ADN et test enzymatique.
DV20, DV50, DV100, DV200, DV250, DV1000, D20, D50, D100, D200, D250, D1000	Mesure et transfert de solutions aqueuses, d'acides et de bases.
DV5000, DV10000, D5000, D10000	Mesure et transfert de volumes importants.

La **DISCOVERY Comfort** s'utilise avec des cônes en polypropylène, Fig. 1E. Le liquide est prélevé avec des cônes montés sur la pipette.

NOTE: L'utilisation d'un cône à usage unique assure la sécurité et élimine la possibilité de contaminer le liquide prélevé.

L'éjection du cône est facilitée par un éjecteur équipant la pipette.

L'éjecteur est facilement démontable ce qui permet d'adapter les pipettes aux tubes de petit diamètre. La possibilité de changer sa longueur permet d'ajuster les pipettes à la gamme d'embouts.

- *pipettes de 2-1000 µl*

Démontage de l'éjecteur (Fig. 6A)

1. Appuyez sur le bouton éjecteur.
2. Tournez la douille de couleur gauche à la fin.
3. Retirez l'éjecteur de la tige en plastique.

Montage de l'éjecteur (Fig. 6B)

1. Appuyez à fond sur le bouton éjecteur.
2. Faites glisser la douille de couleur d'éjecteur sur la tige en plastique.

3. Tournez la douille d'éjection à droite jusqu'à ce qu'il soit verrouillé.

Réglage de la longueur de l'éjecteur (Fig. 6C)

1. Enlevez le bouton éjecteur.
2. Tournez la douille de couleur vers la droite pour rallonger l'éjecteur.
3. Tournez la douille de couleur vers la gauche pour raccourcir la longueur de l'éjecteur.

- pipettes de 5000 et 10000 μ l

Démontage de l'éjecteur (Fig. 7A)

1. Enlevez le bouton éjecteur.
2. Tournez, à l'aide d'un tournevis, la tige en métal vers la gauche pour déverrouiller.
3. Retirez l'éjecteur.

Montage de l'éjecteur (Fig. 7A)

1. Enlevez le bouton éjecteur.
2. Tournez, à l'aide d'un tournevis, la tige en métal vers la droite, d'environ 5 mm, et réglez sa position.

Réglage de la longueur de l'éjecteur (Fig. 7A)

1. Enlevez le bouton éjecteur.
2. Tournez, à l'aide d'un tournevis, la tige de l'éjecteur, dans le sens inverse des aiguilles d'une montre, pour la rallonger.
3. Tournez, à l'aide d'un tournevis, la tige de l'éjecteur, dans le sens des aiguilles d'une montre, pour la raccourcir. Les limites de ce réglage sont de 5 mm.

Après avoir réglé ou monté l'éjecteur, mettez de nouveau le bouton éjecteur.

Si la méthode d'ajustage de l'éjecteur décrite ci-dessus n'est pas suffisante ou le diamètre d'ouverture de l'éjecteur est trop grand, il est indispensable d'insérer la tétine "M" sur l'éjecteur pour enlever les cônes, (Fig. 7B).

- dans les pipettes pour mesurer les volumes entre 2 et 10 μ l (Fig. 7C).

Les pipettes de 2 μ l à 10 μ l peuvent nécessiter l'utilisation d'un manchon sur l'éjecteur "M" pour pouvoir aisément éjecter les cônes accessibles sur le marché et venant de différents fournisseurs. Un manchon, disponible en kit avec la pipette, doit être positionné sur l'extrémité de l'éjecteur, du côté de la pointe de l'embase, de manière à ce qu'il entoure l'éjecteur.

La **DISCOVERY Comfort** est un instrument de précision qui offre une exactitude et une répétabilité excellentes.

Les erreurs de précision (A) et de répétabilité (P) des mesures du liquide dépendent de la qualité des cônes utilisés. Les erreurs indiquées dans le tableau ont été obtenues avec des cônes **HTL**. La justesse et la répétabilité des volumes prélevés ne sont garanties que si les pipettes sont utilisées avec ces cônes.

Modèle	Référence	Volume [μ l]	Exactitude [%]	Fidélité [%]	Cônes μ l	Couleur des embouts porte-cônes pour D
DV2 D2	4041 4051	0.2	± 12.0	± 6.0	10 μ l	rouge
		1.0	± 2.7	± 1.3		
		Max 2.0	± 1.5	± 0.7		
DV10 D10	4042 4052	Min 0.5	± 4.0	± 2.8	200 μ l	jaune
		5.0	± 1.0	± 0.6		
		Max 10.0	± 0.5	± 0.4		
DV20 D20	4043 4053	Min 2	± 3.0	± 1.5	300 μ l	vert
		10	± 1.0	± 0.5		
		Max 20	± 0.8	± 0.3		
DV50 D50	4047 4057	Min 5	± 2.5	± 2.0	1000 μ l	bleu
		25	± 1.0	± 0.6		
		Max 50	± 0.8	± 0.4		
DV100 D100	4044 4054	Min 10	± 1.6	± 0.80	5000 μ l	blanc
		50	± 0.8	± 0.24		
		Max 100	± 0.8	± 0.20		
DV200 D200	4045 4055	Min 20	± 1.2	± 0.60	10000 μ l	
		100	± 0.8	± 0.25		
		Max 200	± 0.6	± 0.20		
DV250 D250	4040 4050	Min 50	± 1.0	± 0.4	10000 μ l	
		125	± 0.8	± 0.3		
		Max 250	± 0.6	± 0.3		
DV1000 D1000	4046 4056	Min 100	± 1.6	± 0.40	10000 μ l	
		500	± 0.7	± 0.20		
		Max 1000	± 0.6	± 0.15		
DV5000 D5000	4048 4058	Min 500	± 1.2	± 0.50	10000 μ l	
		2500	± 0.6	± 0.20		
		Max 5000	± 0.5	± 0.15		
DV10000 D10000	4049 4059	Min 1000	± 2.5	± 0.6	10000 μ l	
		5000	± 0.8	± 0.3		
		Max 10000	± 0.5	± 0.2		

Les spécifications sont obtenues en mode direct par la méthode gravimétrique, avec des températures stabilisées entre 19°C et 21°C, autant pour l'eau distillée que pour l'air ambiant et les cônes. Nombre de contrôle - minimum 10. Les valeurs indiquées prennent en compte toutes les causes d'erreurs dues aussi bien à l'échauffement de la poignée qu'au changement de cône. Ces spécifications sont obtenues avec des "cônes **HTL** véritables".

Performances: Les spécifications des performances volumétriques de la **DISCOVERY Comfort** sont le résultat de tests gravimétriques rigoureux décrits dans les recommandations ISO. Si vous souhaitez contrôler les performances de vos pipettes en appliquant ces procédures, veuillez vous procurer le document EN ISO 8655.

La construction de la pipette permet à l'utilisateur le recalibrage selon les principes présentés dans le chapitre 8.

2 - REGLAGE DU VOLUME

Le volume est indiqué par le volumètre, il se compose de trois chiffres qui doivent être lus du haut en bas. En outre, sur le barillet du compteur le plus bas est indiqué l'échelle qui permet de régler le volume dans la gamme élémentaire.

Pour les pipettes DV2, DV10, DV20, DV50, DV100, DV200, DV250, D2, D10, D20, D50, D100, D200, D250 les chiffres en noir représentent les microlitres, ceux en rouge les dixièmes de microlitres. Un exemple, pour chacune de ces pipettes, est illustré ci-dessous.

EXEMPLE DE REGLAGE DU VOLUMETRE POUR DV2-DV250, D2-D250

DV2, D2		DV10, D10		DV20, D20		DV50, DV100 D50, D100		DV200, DV250 D200, D250	
	1		0		1		0		1
rouge	2	rouge	7	rouge	2		3		2
rouge	5	rouge	5	rouge	5		5		5
	1,25 µl		7,5 µl		12,50 µl		35 µl		125 µl

Pour les pipettes DV1000, DV5000, DV10000, D1000, D5000 et D10000 les chiffres en rouge représentent les millilitres, ceux en noir les microlitres. Un exemple, pour chacune de ces pipettes, est illustré ci-dessous.

EXEMPLE DE REGLAGE DU VOLUMETRE POUR DV1000, DV5000, DV10000, D1000, D5000, D10000.

DV1000, D1000		DV5000, D5000		DV10000, D10000	
	0		1		0
rouge	7	rouge	2	rouge	7
rouge	5	rouge	5	rouge	5
	0,75 ml		1,25 ml		7,5 ml

Le volume de la pipette est réglé avec la vis du bouton poussoir (rys.1A2) ou avec la vis de réglage du volume (rys.1B). Le changement du volume est possible lorsque l'anneau de frein se trouve dans la position inférieure

(Fig. 5A) Après avoir réglé le volume souhaité, il faut déplacer l'anneau de frein vers la position supérieure (Fig. 5B).

Pour obtenir une précision maximale, le volume demandé doit être réglé à partir d'un volume plus élevé, par la réduction des valeurs sur le compteur.

- Si le volume demandé est inférieur à la valeur réglée sur le compteur, il faut tourner la vis du bouton poussoir (rys.1A2) ou la vis de réglage du volume (rys.1B) pour réduire la valeur sur le compteur jusqu'à la valeur demandée. Avant d'arriver à la valeur demandée, il faut réduire la vitesse de rotation de la vis et faire attention à ne pas dépasser la valeur à régler.
- Si le volume demandé est supérieur à la valeur réglée sur le compteur, il faut tourner la vis du bouton poussoir ou la vis de réglage du volume pour augmenter la valeur sur le compteur à la valeur qui dépassera la valeur demandée d'environ 1/3 de tour du barillet le plus bas. Ensuite, en tournant lentement la vis, il faut réduire la valeur réglée à la valeur demandée en faisant attention à ne pas la dépasser.

Si la valeur demandée est dépassée, le processus de réglage doit être répété. Le volume demandé doit être toujours réglé à partir d'une valeur supérieure par la réduction des valeurs indiquées sur le compteur.

Après avoir réglé le volume souhaité, il faut déplacer l'anneau de frein vers la position supérieure ce qui bloquera l'anneau et empêchera un changement du volume inopportun.

3 - ASPIRATION ET DISTRIBUTION DU LIQUIDE

Monter le cône approprié sur l'embout porte cône.

Le choix du cône adéquat est décrit au chapitre 6. Pour effectuer le raccordement de façon étanche, appuyer fermement le cône sur l'embout en employant un mouvement de rotation.

Note: Ne jamais manipuler un liquide avec DISCOVERY Comfort sans l'avoir au préalable équipé d'un cône.

Aspiration

- Presser le bouton poussoir jusqu'à la première butée positive, Fig 2A.
- Tout en maintenant la pipette verticale, plonger l'extrémité du cône dans l'échantillon à prélever.

- La profondeur d'immersion du cône dans le liquide est fonction du modèle de **DISCOVERY Comfort** utilisé:

Modèle	Profondeur d'immersion (mm)
DV2, D2	≤ 1
DV10, D10	≤ 1
DV20, DV50, DV100, D20, D50, D100	2 ÷ 3
DV200, DV250, DV1000, D200, D250, D1000	2 ÷ 3
DV5000, D5000	3 ÷ 6
DV10000, D10000	5 ÷ 7

- Relâcher lentement et régulièrement le bouton poussoir pour aspirer le liquide dans le cône, Fig. 2B.
- Attendre une seconde et retirer le cône du liquide.
- Essuyer éventuellement les gouttes de liquide qui pourraient adhérer sur les parois extérieures du cône avec un papier non tissé (par exemple, mouchoir de cellulose). Après l'immersion du cône sur une profondeur inférieure à celle qui est recommandée ou lors d'une libération rapide du bouton poussoir vers le cône, une certaine quantité d'air pourrait être absorbée.

Prendre soin de ne pas toucher l'orifice du cône.

Distribution

- Placer l'extrémité du cône de façon à former un angle de 10 à 40 degrés contre la paroi interne du tube récepteur.
- Presser doucement le bouton poussoir jusqu'à la première butée positive, Fig. 2C.
- Attendre une seconde.
- Presser complètement le bouton poussoir afin d'expulser la dernière fraction de liquide, Fig. 2D.
- Tout en maintenant le bouton poussoir complètement pressé, retirez la **DISCOVERY Comfort** en glissant le cône le long de la paroi du tube récepteur.
- Relâcher complètement le bouton poussoir, Fig. 2E.
- Ejecter le cône souillé en pressant le bouton de commande de l'éjecteur de cône, Fig. 2F.
- Il est nécessaire d'utiliser un nouveau cône si un liquide différent doit être pipeté ou si le volume à prélever est différent du volume précédent.

Filtres

Les pipettes de 5000 μl et 10000 μl sont équipées d'un filtre échangeable qui est monté dans un siège dans la partie inférieure du corps, (Fig. 3L).

Le filtre protège la pipette contre la pénétration du liquide prélevé à l'intérieur du corps et par conséquent, contre les impuretés qui pourraient pénétrer à l'intérieur du corps et du plongeur. L'utilisation du filtre est importante pour le prélèvement des volumes importants de liquide. Si le filtre se mouille pendant le prélèvement il faut le remplacer par un nouveau.

4 - PRE-RINCAGE DU CÔNE

Lors du pipetage des solutions dont la viscosité et la densité sont différentes de celles de l'eau, telles que les solvants organiques, une certaine rétention de liquide peut s'observer sur la paroi interne du cône. Ce film peut créer une erreur. Cependant, une fois formé, il reste relativement constant d'un pipetage à l'autre, avec un même cône. L'erreur peut donc être évitée en formant le film dès la première manipulation d'échantillon. Pour ce faire, l'échantillon doit être aspiré et redistribué dans le même récipient. Une fois le film en place, les pipetages suivants auront une meilleure exactitude et répétabilité.

Cette opération doit être à nouveau effectuée après chaque modification de volume ou changement de cône.

5 - SOLUTIONS DENSES ET VISQUEUSES

Pour des solutions modérément denses ou visqueuses, il est possible d'effectuer une compensation en augmentant la valeur du volumètre par rapport à la valeur désirée.

Pour des solutions moins denses que l'eau, il est possible d'effectuer une compensation en diminuant la valeur du volumètre par rapport à la valeur désirée.

*Exemple: Transfert de 10 μl de sérum avec une **DISCOVERY Comfort** modèle DV/D20.*

Régler le volumètre de la **DISCOVERY Comfort** sur 10 μl . Aspirer le volume de liquide et le mesurer gravimétriquement. Si l'on détermine que le volume délivré est de 9.5 μl par exemple, l'erreur est de 0.5 μl . Augmenter la valeur du volumètre de 0.5 μl pour l'amener à 10.5 μl et

répéter la mesure. Si le volume mesuré n'est pas encore correct, ajuster le volumètre jusqu'à obtenir le volume exact désiré.

Lors de la distribution de liquides denses ou visqueux, avant d'expulser la dernière fraction de liquide, attendre une seconde supplémentaire à la première butée positive.

6 - CÔNES DE PRELEVEMENT HTL

Les embouts **HTL** sont fabriqués en polypropylène de la plus haute qualité au cours d'un processus de production contrôlé, ce qui permet d'obtenir le produit final de première qualité. Cette qualité garantit la compatibilité avec les pipettes **DISCOVERY Comfort** et assure le prélèvement précis et reproductible du liquide. Au cours de leur fabrication, ces cônes sont soumis à différents types de contrôle qui nous permettent d'assurer leur qualité. Les performances de la **DISCOVERY Comfort** ne sont garanties que si elle est utilisée avec des "HTL véritables". L'utilisation d'autres cônes risque d'entraîner une dégradation notable des performances.

Micro-cônes 10

Ces cônes sont recommandés pour des volumes compris entre 0,1 μl et 10 μl . Les cônes utilisés pour les pipettes des modèles DV2, DV10, D2 et D10 sont équipés d'un bouton poussoir rouge.

Cônes 200

Ces cônes sont recommandés pour des volumes compris entre 2 μl et 200 μl . Les cônes utilisés pour les pipettes des modèles DV20, DV50, DV100, DV200, D20, D50, D100 et D200 sont équipés d'un bouton poussoir jaune.

Cônes 300

Ces cônes sont recommandés pour des volumes compris entre 50 μl et 250 μl . Les cônes utilisés pour les pipettes du modèle DV250 et D250 sont équipés d'un bouton poussoir vert.

Cônes 1000

Ces cônes sont recommandés pour des volumes compris entre 100 μl et 1000 μl . Les cônes utilisés pour les pipettes du modèle DV1000 et D1000 sont équipés d'un bouton poussoir bleu.

Cônes 5000

Ces cônes sont recommandés pour des volumes compris entre 500 μl et 5000 μl . Les cônes utilisés pour les pipettes du modèle DV5000 et D5000 sont équipés d'un bouton poussoir blanc.

Cônes 10000

Ces cônes sont recommandés pour des volumes compris entre 1000 μl et 10000 μl . Les cônes utilisés pour les pipettes du modèle DV10000 et D10000 sont équipés d'un bouton poussoir blanc.

7 - RECOMMANDATIONS

Les recommandations ci-dessous vous permettront d'obtenir de la **DISCOVERY Comfort** les meilleures performances d'exactitude et de reproductibilité.

- Pendant l'utilisation de la pipette **DISCOVERY Comfort** le réglage du volume doit être bloqué par le l'anneau de frein.
- La **DISCOVERY Comfort** doit être manipulée doucement et régulièrement.
- La profondeur d'immersion du cône dans l'échantillon doit être la plus petite possible. Eviter de la faire varier de façon importante au cours de l'aspiration. Maintenir la **DISCOVERY Comfort** en position verticale.
- Il est nécessaire de changer de cône lorsque le liquide à pipetter ou son volume sont modifiés.
- Il est nécessaire de changer de cône lorsqu'une goutte de liquide reste piégée à l'extrémité du cône.
- Tout nouveau cône doit être pré-rincé avec le liquide à pipetter.
- Le liquide ne doit jamais entrer dans l'embout porte cône. Pour cela:
 - Presser et relâcher le bouton poussoir avec douceur.
 - Ne jamais mettre la pipette la poignée en bas.
 - Ne jamais poser la pipette à plat lorsque le cône contient du liquide.
- Ne jamais forcer le volumètre au-delà de ses limites de fonctionnement.
- Lors du pipetage de solutions dont la température est différente de la température ambiante, rincer le cône plusieurs fois avant chaque prélèvement.
- Ne pas manipuler de solutions dont la température est supérieure à 70°C.

- Après l'emploi d'acides ou de solutions corrosives émettant des vapeurs, il est conseillé de démonter l'embout porte cône et de le rincer ainsi que le piston et le joint avec de l'eau distillée.

8 - RECALIBRAGE

Les pipettes **HTL** sont calibrées à l'aide de la méthode gravimétrique, avec l'utilisation des cônes **HTL** et de l'eau distillée, à une température de $20 \pm 1^\circ\text{C}$, selon les norm EN ISO 8655.

Dans le cas où vous constatez, pendant l'utilisation de la pipette, que l'erreur de précision (différence entre le volume réel prélevé et le volume fixé) dépasse la valeur admissible, présentée dans le tableau au chapitre I, il faudrait procéder au recalibrage de la pipette. Avant de procéder au recalibrage, vérifiez les conditions dans lesquelles vous avez déterminé l'erreur de précision A, et assurez-vous, que:

- la température ambiante et celles de la pipette et de l'eau, sont identiques,
- le liquide utilisé a une densité pareille à la celle de l'eau distillée,
- la balance que vous utilisez a une sensibilité appropriée,

Volume vérifié [μl]	Sensibilité de la 1 balance [mg]
0.1 - 10	≤ 0.001
10 - 100	≤ 0.01
> 100	≤ 0.1

- vous avez pris en considération le facteur de conversion $\text{mg}/\mu\text{l}$,
- vous vous conformez aux exigences décrites dans les chapitres 3 et 7.

Quand les conditions sus-mentionnées sont accomplies et l'erreur de précision, pour le volume choisi, présenté au chapitre I, dépasse la valeur admissible, il faut procéder au recalibrage de la pipette.

Le recalibrage peut être effectué seulement dans les limites d'un seul tour de clé, dans l'un ou l'autre sens.

Les conditions de recalibrage:

- la température de l'environnement, de la pipette, des cônes et de l'eau doit être de 20 à 25°C stabilisée durant le pesage, dans les limites de $\pm 0,5^\circ\text{C}$,

- pour les mesures, utilisez de l'eau distillée
- le sensibilité de la balance doit être adéquate au volume vérifié,
- fixer le volume de la dose, selon la capacité de la pipette, conformément aux données du tableau ci-dessous:

Modèle	Capacité de la pipette [μl]	Volume fixé [μl]	Valeurs admissibles [μl]	Changement du volume pour toutour complet de la clé de calibrage ΔV [μl] (24 échelons)
DV2, D2	0.1 - 2	0.2	0.176 - 0.224	0.06
DV10, D10	0.5 - 10	0.5	0.48 - 0.52	0.33
DV20, D20	2 - 20	2	1.94 - 2.06	0.63
DV50, D50	5 - 50	5	4.875 - 5.125	2.50
DV100, D100	10 - 100	10	9.84 - 10.16	2.50
DV200, D200	20 - 200	20	19.76 - 20.24	6.30
DV250, D250	50 - 250	50	49.5 - 50.5	6.30
DV1000, D1000	100 - 1000	100	98.4 - 101.6	25.00
DV5000, D5000	500 - 5000	500	494 - 506	125.00
DV10000, D10000	1000 - 10000	1000	975 - 1025	250.00

effectuez 5 prélèvements, pesez-les chaque fois, et calculez la moyenne de ces prélèvements,

- calculez le volume moyen prélevé en μl , en multipliant la moyenne des prélèvements [mg] par le coefficient de la densité de l'eau distillée [$\mu\text{l}/\text{mg}$]. Celui-ci dépend de la température et de la pression comme le montre le tableau ci-dessous:

Température [$^\circ\text{C}$]	Pression [kPa]		
	95.0	101.3	105.0
20	1.0028	1.0029	1.0029
21	1.0030	1.0031	1.0031
22	1.0032	1.0033	1.0033
23	1.0034	1.0035	1.0036
24	1.0037	1.0038	1.0038
25	1.0039	1.0040	1.0040

Si cette différence dépasse les valeur admissibles, il faut:

- enlever le bouton poussoir de la pipette (dessin 4A),

Attention: Le bouton poussoir est composé de deux pièces: vis (Fig. 1A2) et bouton (Fig. 1A1). Après le démontage du bouton poussoir, les deux pièces se séparent.

- tenant le tourne-à-gauche de fixation de la capacité, de façon à interdire sa rotation, introduire la clé de calibrage dans les canaux de la vis de calibrage, (dessin 4B),
- tourner la clé dans le sens des aiguilles d'une montre pour diminuer la valeur (volume) prélevé, ou contre le sens des aiguilles d'une montre, pour augmenter le volume prélevé, (Fig. 4C).
Un tour complet de la clé change le volume prélevé de la pipette conformément aux valeurs présentées dans le tableau,
- enlever la clé de calibrage et remettre le bouton poussoir (Fig. 4D). Il faut d'abord monter la vis (Fig. 1A2) sur l'embout et ensuite le bouton (Fig. 1A1).

Fixer le volume moyen prélevé. Le volume moyen doit se tenir dans l'étendue des valeurs admissibles, présentées dans le tableau. Si ce volume dépasse les valeurs mentionnées, le recalibrage doit être répété.

Dans le cas de pipetage des liquides, dont les propriétés physiques sont sensiblement différentes de celles de l'eau, il faut procéder conformément à la teneur du chapitre 5.

Vous trouverez plus d'informations au sujet du calibrage à la page www.htl.com.pl

9 - ELIMINATION DE PETITS DEFAUTS

Si vous constatez un mauvais fonctionnement de la pipette, trouvez la cause et éliminez la défaillance. Suivez l'ordre proposé par la notice. L'échange des pièces est un ultime recours qui ne devrait pas être nécessaire lors d'une exploitation convenable.

Présence des gouttes de liquide dans le cône.

- Le liquide est trop rapidement éjecté du cône.
Diminuez la vitesse de pression sur le bouton poussoir.
- Humidification du cône causé par une utilisation prolongée.
Remplacez le cône.

Apparition de bulles d'air dans le liquide aspiré.

- Immersion trop faible du cône.
Immergez le cône plus en profondeur comme précisé dans la notice.

- Cône mal fixé sur l'embout porte- cône.
Fixez mieux le cône.
- Cône endommagé ou usé.
Remplacez le cône.

Pipette aspire incorrectement ou le cône perd du liquide.

- Cône mal fixé sur l'embout porte- cône.
Fixez mieux le cône
- Ecrou raccord dévissé (Fig. 3F).
Serrez l'écrou raccord
- Fissure ou rayure de la surface d'étanchéité de l'embout porte-cône.
Sortez l'éjecteur, dévissez l'écrou raccord, vérifiez l'embout porte-cône et le piston assemble. Remplacez les pièces endommagées (voir chapitre 12) et montez la pipette en serrant l'écrou.
Dans les pipettes DV/D2, DV/D10 et DV/D20 l'endommagement de l'embout porte-cône peut provoquer l'endommagement du piston assemble. Remplacez les pièces endommagées (voir chapitre 12) et montez la pipette en serrant l'écrou.
Pour sortir l'éjecteur, dans les pipettes DV/D5000 et DV/D10000, enlevez le bouton de l'éjecteur (Fig. 3N) et dévissez l'éjecteur avec un tourne-vis, en tournant celui-ci dans le sens contraire au mouvement de l'aiguille de la montre.

- Endommagement du piston assemble ou du joint d'étanchéité causé par un pipetage prolongé des liquides corrosifs.

Démontez la pipette en suivant les inscriptions ci-dessus. Remplacez le piston assemble, le joint d'étanchéité et le joint torique (voir chapitre 12). Nettoyez l'intérieur de l'embout porte-cône avec de l'eau distillée. Lubrifiez le joint d'étanchéité et le joint torique avec la graisse fournie avec chaque pipette.

Tout changement du piston assemble demande un calibrage de la pipette.

Dans les pipettes DV/D2, DV/D10 veillez à ce que les éléments à lubrifier soient correctement couverts d'une quantité minimum de graisse.

- Montage de la pipette incorrect.
Démontez la pipette et montez-la en suivant l'ordre du montage (Fig. 3).
- Absence de la graisse sur les éléments d'étanchéité.
Retirez l'éjecteur. Dévissez l'écrou raccord, sortez

l'embout, le piston assemble, le joint d'étanchéité et le joint torique. Nettoyez les pièces démontées avec de l'eau distillée et séchez. Lubrifiez légèrement les surfaces intérieures du joint d'étanchéité et du joint torique avec la graisse fournie avec chaque pipette. Remontez la pipette dans l'ordre inverse du démontage.

- Intérieur de la pipette malpropre à cause du pipetage prolongé de liquides corrosifs ou de la pénétration du liquide à l'intérieur de la pipette.

Retirez l'éjecteur, dévissez l'écrou raccord, retirez le piston assemble et le joint torique. Nettoyez les pièces démontées avec de l'eau distillée et séchez. Lubrifiez légèrement les surfaces intérieures du joint d'étanchéité et du joint torique avec la graisse fournie avec chaque pipette. Remontez la pipette.

Constatation de l'augmentation des forces de pipetage (ce qui peut arriver après de nombreux passages de la pipette dans un autoclave).

Retirez l'éjecteur. Dévissez l'écrou raccord, sortez l'embout, le piston assemble, le joint d'étanchéité et le joint torique. Nettoyez les pièces démontées avec de l'eau distillée et séchez. Lubrifiez légèrement les surfaces intérieures du joint étanchéité et du joint torique avec la graisse fournie avec chaque pipette. Remontez la pipette dans l'ordre inverse du démontage.

Attention: Toutes les pièces de la pipette peuvent être stérilisées dans un autoclave. Voir chapitre 10.

Les embouts porte-cône des pipettes 5000 et 10000 doivent être stérilisés dans un autoclave sans filtre.

Si les opérations mentionnées ci-dessus ne permettent pas de rétablir le fonctionnement de la pipette, renvoyez la au service HTL.

Avant de la renvoyer, assurez-vous que la pipette n'est pas contaminée par des agents chimiques corrosifs, radioactifs ou microbiologiques qui pourraient constituer un risque durant le transport et la remise en état. Dans la mesure du possible, nettoyez la pipette.

10 - NETTOYAGE ET STÉRILISATION

Nettoyage:

Les parties extérieures du bouton poussoir, du bouton de l'éjecteur, de l'embout et de la bague de calibration peuvent être nettoyées avec un tampon imbibé d'alcool

isopropylique. Les autres parties tirées de la pipette lors de son démontage peuvent être nettoyées avec de l'eau distillée ou avec de l'alcool isopropylique.

Note: Avant d'utiliser des produits de nettoyage autres que ceux recommandés par le fabricant, vérifiez les tableaux de compatibilité des matières dont la pipette est constituée: PEI, PP, PC, POM, PA, PPS, PVDF.

Stérilisation:

La pipette peut être stérilisée, dans sa totalité, dans un autoclave à la température de 121°C pendant 20 minutes. Après la stérilisation, la pipette doit être séchée et refroidie à la température ambiante.

On recommande:

- de stériliser les pipettes dans un autoclave avec un cycle du vide primaire et du séchage,
- de dévisser légèrement le piston assemble dans les pipettes DV/D2 - DV/D1000 et l'embout dans les pipettes DV/D5000 et DV/D10000 avant la stérilisation. Après la stérilisation, les pièces doivent être resserrées,
- avant la stérilisation, il faut déplacer l'anneau de frein vers la position inférieure.

Dans les conditions correctes d'exploitation et de stérilisation dans un autoclave, la reproduction des résultats ne change pas. Il peut y avoir une légère modification de l'exactitude du dosage. C'est pourquoi, on recommande:

- de vérifier le calibrage des pipettes après 1, 3 et 5 stérilisations dans un autoclave, et ensuite toutes les 10 stérilisations.

Attention: Les embouts porte-cône des pipettes 5000 et 10000 doivent être stérilisés dans un autoclave sans filtre.

La pipette est résistante aux rayons UV, ce qui a été prouvé par nos tests. Il est recommandé de ne pas dépasser la longueur de 50 cm entre une source de rayonnement et un élément exposé aux rayons. Une exposition longue et intense aux rayons UV pourrait entraîner des légères modifications de l'aspect esthétique des éléments de couleur, sans altérer des paramètres de la pipette.

11 - CONTENU DE L' EMBALLAGE

Les pipettes sont fournies dans une complétation suivante:

- pipette,
- instruction
- clé de calibrage,
- support,
- tétine (pipettes DV/D2, DV/D10, DV/D5000, DV/D10000)
- étiquettes d'identification,
- filtr (pipettes DV/D5000, DV/D10000),
- graisse
- bagues d'identification (pipettes DV/D2 - DV/D1000)

Le dessin 8 présente le schéma de montage du support.

12 - PIÈCES DÉTACHÉES

Les parties présentées sur la Fig. 3, 4, 5, 7:

- A: Bouton poussoir de pipettage** **A1: Bouton** **A2: Vis**
B: Vis de réglage de volume
C: Embout porte-cône
D: Ejecteur
G: Piston assemblé
F: Écrou raccord
I: Joint torique
J: Joint d'étanchéité
K: Clé de calibrage
L: Filtre
M: Tétine
N: Bouton de l'éjecteur
P: Bague d'identification
S: Anneau de frein

vous pouvez les obtenir chez le représentant **HTL**.

En commandant les pièces, préciser la désignation et le type de la pipette.

Attention: Après chaque changement de l'ensemble du piston-plongeur il faut procéder au calibrage conformément aux instructions du chapitre 8.

Tous les droits réservés. Les produits décrits dans le présent mode d'emploi sont disponibles dans un cadre limité et sont soumis à des changements techniques. Les erreurs sont possibles. PZ HTL S.A. se réserve le droit d'améliorer ou de modifier ses produits sans en aviser quiconque au préalable.

© 2015 PZ HTL S.A.

CONTENIDO

1 - INTRODUCCIÓN
2 - AJUSTE DEL VOLUMEN
3 - ASPIRACIÓN Y DOSIFICACIÓN DEL LÍQUIDO
4 - LAVADO
5 - LÍQUIDOS DENSOS Y VISCOSOS
6 - PUNTAS HTL
7 - RECOMENDACIONES
8 - RECALIBRACIÓN
9 - SOLUCIÓN DE PROBLEMAS MENORES
10 - LIMPIEZA Y ESTERILIZACIÓN
11 - JUEGO DE ENTREGA
12 - PIEZAS DE REPUESTO

1 - INTRODUCCIÓN

DISCOVERY Comfort es un instrumento volumétrico diseñado para medir y transferir líquidos de manera precisa y segura. Puede medir y transferir, según el modelo, volúmenes desde 0.1 μl a 10000 μl .

Las pipetas **DISCOVERY Comfort** se presentan en dos versiones de color:

Versión **DV** - los cuerpos son de color gris claro para todos los modelos,

Versión **D** - los cuerpos son de color rojo, amarillo, verde, azul o blanco.

Las pipetas **DISCOVERY Comfort** vienen con un indicador digital de volumen. El volumen ajustado aparece en la ventanilla de visualización del mango. El volumen del líquido a dispensar se ajusta con el tornillo del botón pulsador (fig. 1A2) o girando el volante del ajuste de volumen (fig. 1B). La construcción de la pipeta hace posible el bloqueo del volumen ajustado. Para este fin debemos desplazar el manguito del freno hacia arriba (fig.1S). La posición del manguito señalan los símbolos correspondientes en la empuñadura. El volumen de cada pipeta está indicado en el botón pulsador (fig. 1A1).

Hay 10 modelos de pipetas **DISCOVERY Comfort** cubriendo el rango desde 0.1 μl hasta 10000 μl .

Modelo	Rango de volumen [μl]
DV2, D2	0.1 - 2
DV10, D10	0.5 - 10
DV20, D20	2 - 20
DV50, D50	5 - 50
DV100, D100	10 - 100
DV200, D200	20 - 200
DV250, D250	50 - 250
DV1000, D1000	100 - 1000
DV5000, D5000	500 - 5000
DV10000, D10000	1000 - 10000

DV2, DV10, D2, D10	Medida y transferencia de microvolúmenes. Secuencias DNA y aplicación de ensayo de enzima.
DV20, DV50, DV100, DV200, DV250, DV1000, D20, D50, D100, D200, D250, D1000	Medida y transferencia de soluciones acuosas generales, ácidos y bases.
DV5000, DV10000, D5000, D10000	Medida y transferencia de grandes volúmenes.

Las pipetas **DISCOVERY Comfort** utilizan puntas ("tips") de polipropileno, de un solo uso, (fig. 1E). El líquido a dispensar es aspirado dentro de las puntas, las cuales se insertan en el cono de la pipeta, (fig. 1D).

Importante: El uso de puntas desechables garantiza la seguridad y elimina el riesgo de contaminación de la muestra.

Un expulsor de puntas incorporado, facilita la expulsión de las mismas, protegiendo al operador del contacto con la punta contaminada.

El expulsor puede ser desmontado fácilmente permitiendo el uso de la pipeta en tubos de ensayo de diámetro pequeño.

- pipetas de capacidad de 2-1000 μl

Desmontaje del expulsor (fig. 6A)

1. Presionar el botón del expulsor.
2. Girar el casquillo de color a la izquierda hasta que se desenganche.
3. Retirar el expulsor del casquillo de plástico.

Montaje del expulsor (fig. 6B)

1. Presionar el botón del expulsor hasta el tope.
2. Introducir el casquillo de color del expulsor en el vástago de plástico.

3. Girar el casquillo a la derecha hasta que se enganche (haga clic).

Ajuste de la longitud del expulsor (fig. 6C)

1. Retirar el botón del expulsor.
2. Girar el casquillo de color a la izquierda aumentando la longitud del expulsor.
3. Girar el casquillo de color a la derecha reduciendo la longitud del expulsor.

- pipetas de capacidad de 5000 y 10000 μl

Desmontaje del expulsor (fig. 7A)

1. Retirar el botón del expulsor.
2. Usando el atornillador, girar el vástago metálico a la izquierda hasta que se desenganche.
3. Retirar el expulsor.

Montaje del expulsor (fig. 7A)

1. Retirar el botón del expulsor.
2. Usando el atornillador, girar el vástago metálico a la derecha en aprox. 5 mm y ajustar su posición.

Ajuste de la longitud del expulsor (fig. 7A)

1. Retirar el botón del expulsor.
2. Usando el atornillador, girar el vástago del expulsor a la izquierda para aumentar su longitud.
3. Usando el atornillador, girar el vástago del expulsor a la derecha para reducir su longitud. El rango de ajuste es de 5 mm.

Una vez ajustado o montado el expulsor, volver a colocar el botón del expulsor.

Si el método descrito más arriba para el ajuste del expulsor no es suficiente o el diámetro de la abertura del expulsor es demasiado grande para expulsar la punta, es preciso poner sobre el expulsor el accesorio "M" (fig. 7B).

- en las pipetas de una capacidad de 2 a 10 μl (fig. 7C)

Las pipetas de 2 μl a 10 μl pueden requerir el uso de una tapa de expulsores "M" para quitar eficazmente las puntas de diferentes proveedores que están en el mercado. La tapa, suministrada con la pipeta, hay que colocarla sobre el expulsor en el extremo del cuerpo para que la tapa abraza el expulsor.

DISCOVERY Comfort es un instrumento de alta calidad con excelente exactitud y precisión. Los valores de exactitud y precisión indicados en la tabla siguiente, han sido determinados utilizando las puntas **HTL** y sólo se garantizan con el uso de las mismas.

Modelo	Referencia	Volumen [μl]	Exactitud [%]	Precisión [%]	Punta μl	Color del cuerpo para D
DV2 D2	4041 4051	0.2	± 12.0	± 6.0	10 μl	rojo
		1.0	± 2.7	± 1.3		
		Max 2.0	± 1.5	± 0.7		
		Min 0.5	± 4.0	± 2.8		
DV10 D10	4042 4052	5.0	± 1.0	± 0.6		
		Max 10.0	± 0.5	± 0.4		
DV20 D20	4043 4053	Min 2	± 3.0	± 1.5	200 μl	amarillo
		10	± 1.0	± 0.5		
DV50 D50	4047 4057	Max 20	± 0.8	± 0.3		
		Min 5	± 2.5	± 2.0		
DV100 D100	4044 4054	25	± 1.0	± 0.6		
		Max 50	± 0.8	± 0.4		
DV100 D100	4044 4054	Min 10	± 1.6	± 0.80	200 μl	amarillo
		50	± 0.8	± 0.24		
DV200 D200	4045 4055	Max 100	± 0.8	± 0.20		
		Min 20	± 1.2	± 0.60		
DV250 D250	4040 4050	100	± 0.8	± 0.25		
		Max 200	± 0.6	± 0.20		
DV250 D250	4040 4050	Min 50	± 1.0	± 0.4	300 μl	verde
		125	± 0.8	± 0.3		
DV1000 D1000	4046 4056	Max 250	± 0.6	± 0.3		
		Min 100	± 1.6	± 0.40		
DV1000 D1000	4046 4056	500	± 0.7	± 0.20	1000 μl	azul
		Max 1000	± 0.6	± 0.15		
DV5000 D5000	4048 4058	Min 500	± 1.2	± 0.50	5000 μl	blanco
		2500	± 0.6	± 0.20		
DV10000 D10000	4049 4059	Max 5000	± 0.5	± 0.15		
		Min 1000	± 2.5	± 0.6		
DV10000 D10000	4049 4059	5000	± 0.8	± 0.3	10000 μl	blanco
		Max 10000	± 0.5	± 0.2		

Estas especificaciones se obtuvieron por método gravimétrico, con agua destilada, a temperatura estabilizada entre 19 y 21°C y repitiendo como mínimo 10 mediciones. Dichos valores incluyen todos los componentes de error resultantes, incluyendo el debido al calor normal de la mano y al intercambio de puntas. Estas especificaciones fueron obtenidas utilizando puntas **HTL**. Tests de verificación: La verificación volumétrica de las pipetas **DISCOVERY Comfort** se basan en los tests gravimétricos extensivos, con arreglo a la norma EN ISO 8655.

La pipeta puede ser calibrada por el propio usuario siguiendo los pasos indicados en el apartado 8.

2 - AJUSTE DEL VOLUMEN

El volumen demostrado por el indicador está compuesto de tres dígitos que hay que leer de arriba hacia abajo.

Además, en la parte más baja del indicador hay una escala que permite el ajuste del volumen dentro de la división elemental.

En los modelos DV2, DV10, DV20, DV50, DV100, DV200, DV250, D2, D10, D20, D50, D100, D200, D250 los dígitos negros indican microlitros y los dígitos rojos décimas de microlitro.

DEBAJO FIGURAN EJEMPLOS PARA CADA UNO DE DICHS MODELOS

DV2, D2		DV10, D10		DV20, D20		DV50, DV100 D50, D100		DV200, DV250 D200, D250	
rojo	1	rojo	0	rojo	1	rojo	0	rojo	1
rojo	2	rojo	7	rojo	2	rojo	3	rojo	2
rojo	5	rojo	5	rojo	5	rojo	5	rojo	5
	1,25 µl		7,5 µl		12,50 µl		35 µl		125 µl

En los modelos DV1000, DV5000, DV10000, D1000, D5000, D10000 los dígitos rojos indican mililitros y los negros microlitros.

DEBAJO FIGURAN EJEMPLOS PARA CADA UNO DE DICHS MODELOS

DV1000, D1000		DV5000, D5000		DV10000, D10000	
rojo	0	rojo	1	rojo	0
	7		2	rojo	7
	5		5	rojo	5
	0,75 ml		1,25 ml		7,5 ml

Se ajusta el volumen de la pipeta con el tornillo del botón pulsador (fig. 1A2) o la volante del ajuste del volumen (fig.1B). El cambio del ajuste del volumen es posible, cuando el manguito del freno esté en la posición baja (cuadro 5A). En el ajuste del volumen requerido, el manguito del freno debe ser colocado en la posición de arriba (cuadro 5B). Para obtener la mayor precisión, el volumen deseado debe ser ajustado desde un volumen más alto hacia la dirección de la disminución de las indicaciones del indicador.

- Si el volumen requerido es más bajo que el ajustado en el indicador, girando el tornillo del botón pulsador (fig. 1A2) o la volante del ajuste del volumen (fig. 1B) hay que disminuir las indicaciones del indicador hasta el valor requerido. Antes de alcanzar el valor requerido hay que disminuir la velocidad del giro y prestar la atención para no exceder el volumen para ajustar.

- Si el valor requerido es más alto que el ajustado en el indicador, girando el tornillo del botón pulsador o la rueda de graduación del volumen hay que aumentar las indicaciones del indicador hasta llegar a 1/3 por encima del valor deseado. Luego, lentamente, girando el tornillo o la rueda disminuir el ajuste hasta el valor deseado prestando la atención para no excederlo.

En el caso de exceder el valor requerido, se aconseja repetir el procedimiento del ajuste. Siempre se debe ajustar el volumen deseado desde un volumen más alto disminuyendo las indicaciones del indicador.

Después del ajuste del volumen debemos recolocar el manguito del freno a la posición de arriba, lo que va provocar el bloqueo del botón e impedirá un cambio casual del volumen.

3 - ASPIRACIÓN Y DOSIFICACIÓN DEL LÍQUIDO

Para seleccionar una punta adecuada, ver el apartado 6. Al insertar la punta en el cuerpo de la pipeta hay que aplicar una fuerte presión con movimiento giratorio para asegurar la hermeticidad.

Advertencia: Nunca utilice la pipeta DISCOVERY Comfort, con líquidos, sin la punta colocada.

Aspiración:

- Apretar el botón pulsador hasta el primer tope (fig. 2A).
- Con la pipeta en posición vertical sumergir la punta en la muestra. La profundidad a la que se sumerge la punta en el líquido depende del modelo:

Modelo	Profundidad (mm)
DV2, D2	≤ 1
DV10, D10	≤ 1
DV20, DV50, DV100, D20, D50, D100	2 ÷ 3
DV200, DV250, DV1000, D200, D250, D1000	2 ÷ 3
DV5000, D5000	3 ÷ 6
DV10000, D10000	5 ÷ 7

- Liberar el botón pulsador lenta y suavemente para aspirar la muestra (fig. 2B).
- Esperar un segundo y retirar la punta del líquido. Limpiar la parte exterior de la punta de las gotas de líquido. Al sumergir la punta a la profundidad menor que la recomendada o al librar rápidamente el botón pulsador puede entrar el aire a la punta.

No debe tocarse el orificio de la punta.**Dosificación:**

- Colocar la parte inferior de la punta contra la pared interior del recipiente, con un ángulo entre 10° y 40°.
- Apretar el botón pulsador suavemente hasta el primer tope (fig. 2C).
- Esperar un segundo.
- Apretar el botón pulsador hasta el segundo tope, para vaciar el resto del líquido (fig. 2D).
- Manteniendo apretado el botón pulsador en el segundo tope, retirar la pipeta deslizando la punta por la pared interior del recipiente. Soltar luego el botón pulsador (fig. 2E).
- Expulsar la punta apretando el botón del expulsor (fig. 2F).

Es necesario cambiar la punta solamente en el caso de tomar la muestra de otro líquido o cuando se cambia el volumen.

Filtros

Las pipetas de 5000 μl y 10000 μl llevan un filtro, insertado en un asiento en la parte inferior del cuerpo de la pipeta (fig. 3L), para evitar que el líquido penetre dentro del cuerpo, ensuciando este y el émbolo. Se recomienda el uso del filtro especialmente cuando se toman grandes cantidades de líquido.

En el caso de mojarse el filtro, debe ser cambiado por uno nuevo.

4 - LAVADO

Al pipetear líquidos de viscosidad o densidad diferentes a las del agua, p. ej., disolventes orgánicos, se crea una capa superficial de líquido en la pared interior de la punta. Esta capa puede ser causa de error. Dado que dicha capa se mantiene relativamente constante en operaciones sucesivas de pipeteado con la misma punta, puede evitarse el error creando la capa superficial antes del pipeteado de la primera muestra. Esto se logra aspirando la muestra y dispensándola nuevamente en el mismo recipiente. Hecho esto, las muestras subsiguientes tendrán mayor exactitud y repetibilidad. Es conveniente repetir esta operación de enjuague cada vez que se modifique el volumen o se utilice una nueva punta.

5 - LÍQUIDOS DENSOS Y VISCOSOS

En el caso de líquidos densos o viscosos, es posible compensar el error ajustando el volumen por encima del requerido.

En el caso de líquidos menos densos que el agua, puede compensarse ajustando el mismo por debajo del valor requerido.

Ejemplo: para transferir 10 μl de suero con la **DISCOVERY Comfort DV20**, se puede ajustar el volumen a 10 μl y comprobarlo en forma gravimétrica. Si el volumen medido resultara 9.5 μl , odemos aumentar el mismo en 0.5 μl (o sea a 10.5 μl) y medir nuevamente. Podemos repetir las mediciones gravimétricas, ajustando el volumen hacia arriba o hacia abajo hasta obtener el ajuste exacto para dicha muestra y el volumen requerido. De esta forma queda la pipeta ajustada en forma exacta para las sucesivas operaciones con dicha muestra.

Cuando se dosifican líquidos densos o viscosos, es aconsejable esperar uno o dos segundos más en el primer tope, antes de pipetear el resto del líquido.

6 - PUNTAS HTL

Las puntas **HTL** son fabricadas en polipropileno de excelente calidad, bajo un estricto control de producción, garantizando con su uso la precisión y exactitud de las pipetas **DISCOVERY Comfort**.

Es aconsejable la utilización de las puntas **HTL** con las pipetas **DISCOVERY Comfort**, ya que las especificaciones de exactitud y precisión de las mismas ha sido determinada con dichas puntas. El uso de puntas de calidades inferiores, pueden dañar el cono de las pipetas **DISCOVERY Comfort**.

Punta 10:

Puntas usadas para tomar cantidades de líquido de 0.1 a 10 μl . Se utilizan con las pipetas DV2, DV10, D2 y D10, las cuales tienen el botón pulsador de color rojo.

Punta 200:

Puntas usadas para tomar cantidades de líquido de 2 a 200 μl . Se utilizan con las pipetas DV20, DV50, DV100, DV200, D20, D50, D100 y D200, las cuales tienen el botón pulsador de color amarillo.

Punta 300

Puntas usadas para tomar cantidades de líquido de 50 a 250 μl . Se utilizan con las pipetas DV250 y D250, las cuales tienen el botón pulsador de color verde.

Punta 1000:

Puntas usadas para tomar cantidades de líquido de 100 a 1000 μl . Se utilizan con las pipetas DV1000 y D1000, las cuales tienen el botón pulsador de color azul.

Punta 5000:

Puntas usadas para tomar cantidades de líquido de 500 a 5000 μl . Se utilizan con las pipetas DV5000 y D5000, las cuales tienen el botón pulsador de color blanco.

Punta 10000:

Puntas usadas para tomar cantidades de líquido de 1000 a 10000 μl . Se utilizan con las pipetas DV10000 y D10000, las cuales tienen el botón pulsador de color blanco.

7 - RECOMENDACIONES

Las siguientes recomendaciones facilitan la máxima exactitud y precisión de sus pipetas **DISCOVERY Comfort**.

- La pipeta **DISCOVERY Comfort** durante el trabajo debe tener bloqueado el ajuste del volumen con el manguito del freno.
- Operar la pipeta **DISCOVERY Comfort** de manera lenta y suave.
- Sumergir el mínimo posible la punta de la pipeta en la muestra y mantener dicha profundidad durante la aspiración.
- Sitúe la pipeta **DISCOVERY Comfort** en posición vertical.
- Reemplazar la punta cada vez que modifique el ajuste de volumen o cambie de muestra.
- Reemplazar la punta siempre que ésta quede con alguna gota de líquido del pipeteado anterior.
- Cada vez que reemplace la punta, ésta debe ser enjuagada con el líquido a pipetear.
- El líquido nunca debe entrar dentro del cono de la pipeta **DISCOVERY Comfort**. Para ello:
 - apretar el botón pulsador lenta y suavemente.
 - nunca vuelque la pipeta con la parte de arriba hacia abajo.
 - nunca coloque la pipeta en forma horizontal cuando la punta contenga líquido.

- Nunca ajuste el volumen fuera de los límites recomendados.
- Si la temperatura de los líquidos a pipetear es diferente de la del ambiente, se recomienda enjuagar la punta un par de veces antes de usarla.
- No pipetear líquidos con temperatura superior a 70°C.
- Cuando se pipeteen ácidos o soluciones ácidas que producen vapores, se recomienda desmontar el cono de la pipeta y enjuagar el pistón y los sellos con agua destilada al terminar la operación.

8 - RECALIBRACIÓN

La calibración de las pipetas **HTL** se realiza por gravimetría con el uso de puntas **HTL** y agua destilada, en una temperatura de $20 \pm 1^\circ\text{C}$, con arreglo a la norma EN ISO 8655.

Cuando se constate un error de precisión (diferencia entre la cantidad real y la nominal) de una pipeta, mayor al que se indica en el cuadro del capítulo 1, será necesario proceder a una nueva calibración. Antes, sin embargo, deberá comprobarse que al calcular el error se cumplieron los siguientes requisitos:

- una misma temperatura de la pipeta, puntas, agua y ambiente - líquido de una densidad semejante a la del agua destilada,
- balanza de precisión para las mediciones:

Volumen homologado [μl]	Sensibilidad de la balanza [mg]
0.1 - 10	≤ 0.001
10 - 100	≤ 0.01
> 100	≤ 0.1

- conversión de mg en μl ,
- y los especificados en los apartados 3 y 7.

Cumplidos estos requisitos, si el error de precisión en un volumen dado es mayor al indicado en el apartado 1 será necesario proceder a una nueva calibración de la pipeta.

La llave de calibración puede girar solamente de una vuelta entera hacia la derecha o la izquierda.

Requisitos para la calibración:

- la temperatura de la pipeta, punta, líquido y ambiente se estabilizará entre los 20 y 25°C con una exactitud de $\pm 0,5^\circ\text{C}$,

- en las pruebas se usará agua destilada,
- la sensibilidad de la balanza se adecuará al volumen que se quiera verificar.

Calibración:

- seleccionar el rango correspondiente a la capacidad de la pipeta, conforme lo indicado en la tabla que sigue:

Modèle	Capacité de la pipette [µl]	Volumé fixé [µl]	Valeurs admissibles [µl]	Changement du volume pour un tour complet de la clé de calibrage ΔV [µl] (24 échelons)
DV2, D2	0.1 - 2	0.2	0.176 - 0.224	0.06
DV10, D10	0.5 - 10	0.5	0.48 - 0.52	0.33
DV20, D20	2 - 20	2	1.94 - 2.06	0.63
DV50, D50	5 - 50	5	4.875 - 5.125	2.50
DV100, D100	10 - 100	10	9.84 - 10.16	2.50
DV200, D200	20 - 200	20	19.76 - 20.24	6.30
DV250, D250	50 - 250	50	49.5 - 50.5	6.30
DV1000, D1000	100 - 1000	100	98.4 - 101.6	25.00
DV5000, D5000	500 - 5000	500	494 - 506	125.00
DV10000, D10000	1000 - 10000	1000	975 - 1025	250.00

- realizar cinco tomas, pesando cada una, y calcular la media de esas tomas,
- calcular la porción media en µl multiplicando la media de las tomas realizadas [mg] por el índice de densidad del agua destilada [µl/mg], con dependencia de su temperatura y presión.

Temperatura [°C]	Presión [kPa]		
	95.0	101.3	105.0
20	1.0028	1.0029	1.0029
21	1.0030	1.0031	1.0031
22	1.0032	1.0033	1.0033
23	1.0034	1.0035	1.0036
24	1.0037	1.0038	1.0038
25	1.0039	1.0040	1.0040

Cuando el valor medio de las medidas tomadas difiera del admisible se procederá como se indica a continuación:

- desmontar el pulsador de pipeteo, (fig. 4A),
Atención: El botón pulsador se compone de dos piezas: un tornillo (fig. 1A2) y un botón (fig. 1A1). Desmontando el botón ambas piezas se separan.
- introducir la llave de calibración en las muescas del tornillo de calibración, (fig. 4B), sujetando al mismo tiempo el botón de graduación del volumen para evitar que cambie de posición,
- darle vuelta a la llave - hacia la derecha para reducir el volumen o hacia la izquierda para aumentarla, (fig. 4C). Con una vuelta entera de la llave se aumenta o disminuye la porción en la cantidad que se ha indicado en el cuadro,
- retirar la llave de calibración y montar el botón pulsador. (fig. 4D). Para montar el botón pulsador hay que poner en el cuerpo primero el tornillo (fig. 1A2) y luego el botón (fig. 1A1).

Calcular nuevamente la porción media que deberá ajustarse a los valores admisibles indicados en el cuadro. En el caso contrario se repetirán las operaciones de calibración.

Cuando las propiedades físicas del líquido manipulado con la pipeta difieren mucho de las del agua se deberá proceder de acuerdo con las indicaciones del apartado 5.

En la página www.htl.com.pl encontrará más informaciones acerca de la calibración de pipetas.

9 - SOLUCIÓN DE PROBLEMAS MENORES

Al constatar el trabajo incorrecto de la pipeta compruebe la causa y elimine el defecto. Al eliminar un defecto actúe de acuerdo con el orden indicado en la instrucción. El cambio de algunos elementos por unos nuevos hay que tratar como necesidad extrema, que no debe producirse en el caso de la correcta explotación de la pipeta.

En la punta quedan las gotas del líquido.

- Demasiado rápido vaciado de la punta.
Disminuya la velocidad de opresión del botón pulsador.
- Aumento de humidificación de la punta causado por su múltiple uso.
Cambie la punta por una nueva.

En el líquido tomado a la punta aparecen las burbujas de aire.

- Poca profundidad de inmersión de la punta.
Hunda la punta a una profundidad mayor, acorde con la instrucción.
- Débil colocación de la punta en el cuerpo de la pipeta.
Fíjela mejor.
- Punta deteriorada o utilizada muchas veces.
Cámbiela por una nueva.

La pipeta toma el líquido de una manera incorrecta o el líquido sale goteando de la punta.

- Débil colocación de la punta en el cuerpo de la pipeta.
Fíjela mejor.
- Tuerca de conexión floja (fig. 3F).
Ajuste la tuerca de conexión.
- Superficie del cuerpo rota o rayada.
Retire el expulsor, afloje la tuerca de conexión, verifique el cuerpo y el pistón de la pipeta. Reemplace los elementos deteriorados (ver apartado 12) y vuelva a montar la pipeta ajustando la tuerca de conexión. En las pipetas DV/D2, DV/D10 y DV/D20, si el cuerpo está dañado, puede estarlo también el pistón. Reemplace los elementos deteriorados (ver apartado 12) y vuelva a montar la pipeta ajustando la tuerca de conexión. Para retirar el expulsor en el caso de las pipetas DV/D5000 y DV/D10000 hay que retirar el botón del expulsor (fig. 3N) y para desatornillar el expulsor se dará vuelta al destornillador en el sentido contrario al de las manecillas de un reloj.

- Deterioro del pistón o la junta a causa de la medición prolongada de líquidos agresivos.
Desmonte la pipeta como fue indicado arriba. Reemplace el pistón, la junta y el O-ring (ver apartado 12). Lave el interior del cuerpo con agua destilada. Engrase la junta y el O-ring con grasa adjunta a cada pipeta. El reemplazo del pistón requiere una recalibración de la pipeta. En las pipetas DV/D2, DV/D10 hay que engrasar las piezas uniformemente y utilizando una cantidad mínima de la grasa.
- Mal ensamblado.
Desmonte la pipeta y móntela nuevamente siguiendo el correcto orden del montaje (fig. 3).

- Falta de la grasa en las piezas de hermeticidad.
Retire el expulsor. Afloje la tuerca de conexión, retire el cuerpo, el pistón, la junta y el O-ring. Lave las piezas sacadas con agua destilada y séquelas. Engrase un poco las superficies interiores de la junta y del O-ring con la grasa adjunta a cada pipeta. Monte la pipeta en un orden contrario a su desmontaje.
- Contaminación del interior de la pipeta causado por una prolongada toma de los líquidos químicamente agresivos o bien la humidificación del interior de la pipeta.
Retire el expulsor. Afloje la tuerca de conexión, retire el cuerpo, el pistón, la junta y el O-ring. Lave las piezas sacadas con agua destilada y séquelas. Engrase un poco las superficies interiores de la junta y del O-ring con la grasa. Vuelva a montar la pipeta.

Al detectar el aumento de la fuerza de pipeteo, lo que puede ocurrir después de haber realizado muchas veces la esterilización en autoclave:

Retire el expulsor. Afloje la tuerca de conexión, retire el cono, el pistón, la junta y el O-ring. Lave las piezas sacadas con agua destilada y séquelas. Engrase un poco la superficie interior de la junta y del O-ring con la grasa que acompaña a cada pipeta. Monte la pipeta en un orden contrario a su desmontaje.

Atención: Todas las piezas de la pipeta son autoclavables. Ver el apartado 10.

Los cuerpos de las pipetas 5000 y 10000 se esterilizarán sin filtro.

Si el procedimiento arriba descrito no eliminase el funcionamiento incorrecto de la pipeta hay que enviarla al servicio técnico HTL.

Antes de enviar la pipeta al servicio técnico, asegúrese que la misma no esté contaminada con sustancias químicas agresivas, radioactivas o microbiológicas que puedan ser peligrosas durante el transporte y la reparación. Si es posible, limpie la pipeta.

10 – LIMPIEZA Y ESTERILIZACIÓN

Limpieza:

Las superficies exteriores del botón pulsador, el botón del expulsor, el mango y el tornillo de calibración pueden limpiarse con un tapón de algodón empapado de alcohol isopropílico. Las demás piezas desmontables pueden ser lavadas con agua destilada o alcohol isopropílico.

Advertencia: Antes de aplicar agentes de limpieza otros que no sean recomendados por el fabricante, consulte las tablas de compatibilidad de materiales plásticos, los cuales componen los elementos de la pipeta: PEI, PP, PC, POM, PA, PPS, PVDF.

Esterilización:

Podemos esterilizar la pipeta entera en autoclave a la temperatura de 121°C durante 20 minutos. Después de esterilizar la pipeta, ésta debe ser secada y enfriada hasta alcanzar la temperatura de ambiente.

Se recomienda:

- esterilizar las pipetas en un autoclave con la fase del vacío preliminar y secado,
- antes de la esterilización aflojar un poco la tuerca de conexión en las pipetas DV/D2 – DV/D1000, y en las pipetas DV/D5000 y DV/D10000 aflojar un poco el cuerpo. Después de la esterilización fijar de nuevo estas piezas,
- antes de la esterilización colocar el manguito de freno en la posición baja.

Con la correcta explotación y el adecuado procedimiento de la esterilización en autoclave no cambia la repetibilidad de los resultados obtenidos. Sin embargo puede ocurrir un pequeño cambio de la precisión de la dosificación, entonces se recomienda:

- verificar la calibración de las pipetas después de la 1, 3 y 5 esterilización en autoclave y luego cada 10 ciclos de esterilización durante la explotación de la pipeta.

Atención: Los cuerpos de las pipetas 5000 y 10000 se esterilizarán sin filtro.

La pipeta es resistente a la radiación ultravioleta, lo que se confirmó con las pruebas realizadas. La distancia recomendada desde la fuente de radiación hasta el elemento expuesto no deberá ser inferior a 50 cm. Una exposición intensa, de duración excesiva puede causar pequeños cambios en el aspecto de los elementos de color sin influir en los parámetros de la pipeta.

11 - JUEGO DE ENTREGA

- la pipeta
- un manual de usuario
- una llave de calibración
- un portapipetas

- abertura del expulsor (para las pipetas DV/D2, DV/D10, DV/D5000, DV/D10000)
- pegatinas de identificación
- filtros (para las pipetas DV/D5000, DV/D10000)
- grasa
- anillos de identificación (para las pipetas DV/D2 - DV/D1000)

En la fig. 8 se explica los pasos a seguir para ensamblar el portapipetas

12 - PIEZAS DE REPUESTO

Ver fig. 3, 4, 5, 7:

- A: Botón pulsador** **A1: Botón** **A2: Tornillo**
B: Volante del ajuste de volumen
C: Cuerpo
D: Expulsor de puntas
F: Tuerca de conexión
G: Pistón
I: O-Ring
J: Junta de Teflón
K: Llave de calibración
L: Filtro
M: La abertura del expulsor
N: Botón del expulsor
P: Anillo de identificación
S: Manguito del freno

Estos repuestos pueden solicitarse al representante de HTL, detallando el modelo de pipeta y el nombre del repuesto.

Atención: Siempre que se cambie el émbolo se calibrará la pipeta de acuerdo con lo señalado en el apartado 8.

Todos los derechos reservados. Los productos mencionados en el presente manual se hallan disponibles dentro del campo limitado y se someten a las modificaciones técnicas. Los errores se encuentran permitidos.

PZ HTL S.A. reserva el derecho a mejorar o modificar sus productos sin aviso previo.

© 2015 PZ HTL S.A.

ÍNDICE

1 - INTRODUÇÃO
2 - AJUSTE DE VOLUME
3 - ASPIRANDO E DISPENSANDO LÍQUIDOS
4 - PRÉ-ENXAGUE
5 - LÍQUIDOS DENSOS E VISCOSOS
6 - PONTEIRAS DE PIPETA HTL
7 - RECOMENDAÇÕES
8 - RECALIBRAGEM
9 - SOLUÇÃO DE PROBLEMAS
10 - LIMPEZA E ESTERILIZAÇÃO
11 - KIT DA PIPETA
12 - PEÇAS AVULSAS

1 - INTRODUCTION

O **DISCOVERY Comfort** é um instrumento volumétrico feito para medir e transferir líquidos com precisão e segurança. Ele pode medir e transferir volumes de 0.1 μl a 10000 μl , dependendo do modelo.

As pipetas **DISCOVERY Comfort** estão disponíveis em duas versões que diferem na cor da haste:

DV – as hastes são feitas em cinza claro para todos os volumes de pipetas.

D – as hastes são feitas em vermelho, amarelo, verde, azul e branco, dependendo da gama de volumes da pipeta.

As pipetas **DISCOVERY Comfort** são equipadas com um contador digital que mostra o volume de pipetagem. O volume ajustado é visível no mostrador do cabo. O ajuste de volume é feito ao girar o botão de pipetagem (Fig. 1A2) ou o botão de ajuste (Fig.1B). O desenho da pipeta permite que o usuário trave o ajuste de volume, empurrando o anel de travamento para cima (Fig.1J). A posição do anel é indicada pelos símbolos localizados no cabo. A gama de volume do líquido aspirado é mostrada no botão de pipetagem (Fig. 1A1).

As pipetas **DISCOVERY Comfort** são produzidas em 10 modelos, cobrindo a gama de volumes de 0.1 μl a 10000 μl .

Modelo	Gama de volumes [μl]
DV2, D2	0.1 - 2
DV10, D10	0.5 - 10
DV20, D20	2 - 20
DV50, D50	5 - 50
DV100, D100	10 - 100
DV200, D200	20 - 200
DV250, D250	50 - 250
DV1000, D1000	100 - 1000
DV5000, D5000	500 - 5000
DV10000, D10000	1000 - 10000

DV2, DV10, D2, D10	Controle e transferência de micro-volumes, Sequenciamento de DNA e aplicações de ensaio de enzima.
DV20, DV50, DV100, DV200, DV250, DV1000, D20, D50, D100, D200, D250, D1000	Controle e transferência de solução aquosa, ácidos e bases.
DV5000, DV10000, D5000, D10000	Controle e transferência de volumes maiores.

O líquido é aspirado em ponteiras descartáveis presas à haste da pipeta. As ponteiras descartáveis garantem o máximo de segurança e eliminam a chance de contaminação cruzada das amostras.

Para proteger o usuário de ponteiras contaminadas, a **DISCOVERY Comfort** possui um ejetor de pipeta embutido, (Fig. 1D).

A construção do ejetor permite que o usuário ajuste seu comprimento. O ejetor de pipeta ajustável acomoda os tipos mais comuns de ponteiras disponíveis no mercado. Ao usar tubos estreitos, pode ser necessário remover o ejetor de pipeta.

- pipetas com capacidade de 2-1000 μl

Desmontagem do ejetor de pipeta (Fig. 6A)

1. Pressione o botão do ejetor de pipeta.
2. Gire a tampa colorida do ejetor para esquerda até o fim.
3. Remova o ejetor da base.

Montagem do ejetor de pipeta (Fig. 6B)

1. Pressione o botão do ejetor de pipeta.
2. Introduza a tampa colorida do ejetor no pino de plástico.

3. Gire a tampa colorida do ejetor para direita até que se prenda (fazer um clique).

Ajustando o comprimento do ejetor de ponteira (Fig. 6C)

1. Remova o botão do ejetor de ponteira.
2. Para aumentar o comprimento do ejetor de ponteira, gire a bucha do ejetor para esquerda.
3. Para reduzir o comprimento do ejetor de ponteira, gire a bucha do ejetor para direita.

- pipetas com capacidade de 5000 & 10000 µl

Desmontagem do ejetor de ponteira (Fig. 7A)

1. Remova o botão do ejetor de ponteira.
2. Com a chave de fenda, gire o pino metálico à esquerda para desparafusar o ejetor de ponteira.
3. Remova o ejetor da base.

Montagem do ejetor de ponteira (Fig. 7A)

1. Remova o botão do ejetor de ponteira.
2. Com a chave de fenda, gire o pino metálico à direita para parafusar o ejetor e ajustar seu comprimento.

Ajustando o comprimento do ejetor de ponteira (Fig. 7A)

1. Remova o botão do ejetor de ponteira.
2. Com a chave de fenda, aumente ou diminua o comprimento do ejetor de ponteira.

Após a montagem e ajuste do ejetor de ponteira, coloque na posição inicial o botão do ejetor de ponteira.

Se o método descrito acima para o ajuste do ejetor não for suficiente ou se o diâmetro de abertura do ejetor for grande demais para ejetar a ponteira, é necessário pôr a tampa do ejetor "M" no ejetor (Fig. 7B).

- nas pipetas de 2e 10 µl pipettes (Fig. 7C)

As pipetas de 2 µl - 10 µl podem exigir o uso de uma tampa de ejetor "M" para ejetar com eficácia certas marcas de ponteiras de pipeta. Simplesmente ponha a tampa fornecida com a pipeta no fundo da haste da pipeta e deslize a tampa para cima até ela circundar a parte inferior do ejetor de ponteira.

O **DISCOVERY Comfort** é um instrumento de alta qualidade que oferece excelente exatidão e precisão.

A exatidão e precisão de amostragem de líquido dependem da qualidade das ponteiras usadas. Os valores para exatidão e precisão fornecidos na tabela abaixo foram obtidos com ponteiras **HTL**. Somente estas pon-

teiras garantem a operação correta das pipetas e a exatidão e precisão de amostragem de líquido.

Modelo	Cat. no.	VOLUME [µl]	Exatidão [%]	Precisão [%]	Para ponteiras µl	Cor de eixo para D
DV2 D2	4041 4051	0.2	± 12.0	± 6.0	10 µl	vermelho
		1.0	± 2.7	± 1.3		
		Máx 2.0	± 1.5	± 0.7		
DV10 D10	4042 4052	Min 0.5	± 4.0	± 2.8	200 µl	amarelo
		5.0	± 1.0	± 0.6		
		Máx 10.0	± 0.5	± 0.4		
DV20 D20	4043 4053	Min 2	± 3.0	± 1.5	200 µl	amarelo
		10	± 1.0	± 0.5		
		Máx 20	± 0.8	± 0.3		
DV50 D50	4047 4057	Min 5	± 2.5	± 2.0	200 µl	amarelo
		25	± 1.0	± 0.6		
		Máx 50	± 0.8	± 0.4		
DV100 D100	4044 4054	Min 10	± 1.6	± 0.80	200 µl	amarelo
		50	± 0.8	± 0.24		
		Máx 100	± 0.8	± 0.20		
DV200 D200	4045 4055	Min 20	± 1.2	± 0.60	200 µl	amarelo
		100	± 0.8	± 0.25		
		Máx 200	± 0.6	± 0.20		
DV250 D250	4040 4050	Min 50	± 1.0	± 0.4	300 µl	verde
		125	± 0.8	± 0.3		
		Máx 250	± 0.6	± 0.3		
DV1000 D1000	4046 4056	Min 100	± 1.6	± 0.40	1000 µl	azul
		500	± 0.7	± 0.20		
		Máx 1000	± 0.6	± 0.15		
DV5000 D5000	4048 4058	Min 500	± 1.2	± 0.50	5000 µl	branco
		2500	± 0.6	± 0.20		
		Máx 5000	± 0.5	± 0.15		
DV10000 D10000	4049 4059	Min 1000	± 2.5	± 0.6	10000 µl	branco
		5000	± 0.8	± 0.3		
		Máx 10000	± 0.5	± 0.2		

Exatidão e precisão são obtidas com ponteiras **HTL**, usando um método gravimétrico, fazendo pelo menos 10 medições de água destilada à temperatura de 20±1°C, conforme o padrão EN ISO 8655.

O desenho da pipeta permite que o usuário faça o processo de recalibragem conforme as regras apresentadas na seção 8.

2 - AJUSTE DE VOLUME

O mostrador de volume exibido pelo contador tem 3 dígitos que devem ser lidos de cima para baixo. Além disso, o tambor mais baixo do contador está impresso numa escala que permite ajustar o volume na gradação mínima. Exemplos dos significados dos dígitos preto e vermelho:

Pipetas DV2, D2

Números em vermelho no fundo = 1/100 μl

Incremento = 0.002 μl

DV2, D2
1
vermelho 2
vermelho 5
1.25 μl

Pipetas DV10, DV20, D10, D20

Números em vermelho no fundo = 1/10 μl

Incremento = 0.02 μl

DV10, D10	DV20, D20
0	1
7	2
5	vermelho 5
7.5 μl	12.50 μl

Pipetas DV50, DV100, DV200, DV250, D50, D100, D200, D250

Somente números pretos = 1 μl

Incremento = 0.2 μl

DV50, DV100 D50, D100	DV200, D200 DV250, D250
0	1
3	2
5	5
35 μl	125 μl

Pipetas DV1000, DV5000, D1000, D5000

Números em vermelho no topo = ml

Incremento =

DV1000 D1000	DV5000 D5000
0	vermelho 1
7	vermelho 2
5	5
0.75 ml	1.25 ml
2 μl	10 μl

Pipetas DV10000, D10000

Números em vermelho no topo = ml

Incremento = 20 μl

DV10000 D10000
vermelho 0
vermelho 7
5
7.5 ml

O volume da pipeta é ajustado com o botão de girar no botão de pipetagem (Fig. 1A2) ou com o botão de ajuste preto (Fig. 1B). O ajuste de volume pode ser feito quando o anel estiver na posição inferior (Fig.5A). Quando o volume for escolhido, o anel deverá estar na posição superior (Fig.5B). Para garantir o máximo de exatidão, o volume ajustado deverá ser aproximado a partir de um valor maior, reduzindo as leituras do contador.

- Se o volume desejado for menor do que o volume mostrado pelo contador, gire o botão de pipetagem (Fig. 1A2) ou o botão de ajuste preto (Fig. 1B) na direção para reduzir as leituras do contador para o volume desejado. Antes de atingir o volume desejado, gire o botão e observe a redução de leitura para evitar ultrapassar acidentalmente o valor ajustado.
- Se o volume desejado for maior do que o volume mostrado pelo contador, gire o botão de pipetagem (Fig. 1A2) ou o botão de ajuste (Fig. 1B), aumentando o valor até que a roda do número menor atinja 1/3 de

um giro além do ajuste exigido e então, gire lentamente para trás até que o ajuste chegue ao volume desejado. Cuidado para não ultrapassar o valor ajustado.

Se o botão for girado acidentalmente além da conta, o processo deverá ser repetido. O volume desejado deve ser sempre ajustado a partir do valor maior, em ordem decrescente.

Após o ajuste de volume, ajuste o anel de travamento na posição superior, travando o botão e evitando a troca acidental de volume.

3 - ASPIRANDO E DISPENSANDO LÍQUIDOS

Ponha uma ponteira na haste da pipeta. Ver a Seção 6 para a ponteira apropriada. Pressione a ponteira firmemente com um movimento leve. Isto garantirá uma vedação hermética.

Importante: Nunca aspire líquidos sem uma ponteira encaixada.

Aspiração

Pressione o botão até o primeiro ponto de resistência, (Fig. 2A). Segurando a pipeta na vertical, mergulhe a ponteira no líquido de amostra. A profundidade na qual a ponteira fica mergulhada no líquido de amostra dependerá do modelo.

Modelo	Prof. de imersão (mm)
DV2, D2	≤ 1
DV10, D10	≤ 1
DV20, DV50, DV100, D20, D50, D100	2 ÷ 3
DV200, DV250, DV1000, D200, D250, D1000	2 ÷ 3
DV5000, D5000	3 ÷ 6
DV10000, D10000	5 ÷ 7

Solte o botão lentamente e suavemente para aspirar a amostra (Fig. 2B). Espere um 1s e retire a ponteira do líquido. Quando a pipeta for mergulhada numa profundidade diferente da recomendada ou quando o botão de pipetagem for rapidamente liberado, o ar pode entrar na ponteira descartável.

Evite tocar o orifício da ponteira.**Dispensando**

- Ponha a extremidade da ponteira contra a parede interna do recipiente, num ângulo de 10 a 40 graus.
- Pressione o botão suavemente até a primeira parada, (Fig. 2C). Espere 1 segundo.
- Pressione o botão até a segunda parada para expelir qualquer líquido restante, (Fig. 2D).
- Com o botão pressionado até o fim, erga a pipeta mantendo o contato com a superfície interna do recipiente.
- Solte o botão até sua posição inicial, (Fig. 2E).
- Ejete a ponteira, pressionando o botão do ejeter de ponteira, (Fig. 2F). Lembre-se de trocar a ponteira sempre que outro tipo de líquido for utilizado.

Filtros

Um filtro substituível instalado na base de encaixe da haste é usado em pipetas de 5000 μl e 10000 μl (Fig. 3L). O filtro evita que o líquido aspirado entre na haste e assim, polua a parte interna da haste e do pistão. O uso do filtro é especialmente importante ao aspirar e dispensar grandes volumes de líquido. Se o filtro molhar durante a aspiração de líquido, ele deverá ser trocado por um novo.

4 - PRÉ-ENXAGUE

Ao pipetar líquidos de maior viscosidade ou menor tensão superficial do que a água (ex.: serum ou solventes orgânicos), um filme de líquido se formará na parede interna da ponteira da pipeta. Este filme pode causar um erro. Já que o filme permanece relativamente constante em sucessivas operações de pipetagem com a mesma ponteira, tal erro pode ser evitado, formando o filme antes de transferir a primeira amostra. Isto é feito com a aspiração de uma amostra e dispensando-a de volta ao mesmo recipiente. Já que o filme se formou, todas as amostras seguintes terão melhor exatidão e repetibilidade.

Esta operação de pré-enxague deve ser repetida quando o volume a ser aspirado for trocado ou quando uma nova ponteira for usada.

5 - LÍQUIDOS DENSOS E VISCOSOS

As especificações de exatidão e precisão da **DISCOVERY Comfort** foram baseadas na pipetagem de água destilada. O manuseio de líquidos com propriedades físicas, tais como, densidade, viscosidade e tensão superficial, diferindo extremamente das da água pode precisar de uma compensação gravimetricamente do volume escolhido. Normalmente, o grau de erro resultante de líquidos pesados ou viscosos é negligenciável se a pipetagem for feita lentamente e com cuidado. É mais importante dar um tempo aos líquidos para que sigam a mudança de pressão, segurando a ponteira em sua posição por pelo menos 2 segundos após a aspiração e expulsão.

Se em casos extremos, este método de operação não resultar em valores exatos, uma compensação pode ser feita da seguinte forma:

Pesar o líquido pipetado quando a pipeta for ajustada para o valor nominal. Depois, calcular a compensação do valor nominal:

$$\text{Corr: val.} = 2 \times \text{nom. val.} - \frac{m}{\gamma}$$

m - peso da amostra

γ - densidade do líquido

Checar esta operação de novo e corrigir, se for necessário. Anote o valor corrigido para pipetagem posterior do mesmo tipo de líquido.

6 - PONTEIRAS DE PIPETA HTL

As ponteiras **HTL** são feitas de polipropileno de alto desempenho e sua qualidade garante a precisão e exatidão associadas à **DISCOVERY Comfort**. O controle rígido é mantido ao longo de todo o processo de fabricação para garantir o máximo de qualidade.

Os valores de exatidão e precisão para a **DISCOVERY Comfort** só são garantidos quando as ponteiras **HTL** forem usadas. O uso de ponteiras de qualidade inferior afetará seriamente o desempenho da pipeta.

Ponteiras 10

Estas ponteiras são usadas para volumes entre 0.1 μl e 10 μl . Elas são usadas com os moldelos DV2, DV10, D2 e D10 equipados com o botão vermelho.

Ponteiras 200

Estas ponteiras são usadas para volumes entre 2 μl e 200 μl . Elas são usadas com os modelos DV20, DV50, DV100, DV200, D20, D50, D100 e D200 equipados com o botão amarelo.

Ponteiras 300

Estas ponteiras são usadas para volumes entre 50 μl e 250 μl . Elas são usadas com os modelos DV250 e D250 equipados com o botão verde.

Ponteiras 1000

Estas ponteiras são usadas para volumes entre 100 μl e 1000 μl . Elas são usadas com os modelos DV1000 e D1000 equipados com o botão azul.

Ponteiras 5000

Estas ponteiras são usadas para volumes entre 500 μl e 5000 μl . Elas são usadas com os modelos DV5000 e D5000 equipados com o botão branco.

Ponteiras 10000

Estas ponteiras são usadas para volumes entre 1000 μl e 10000 μl . Elas são usadas com os modelos DV10000 e D10000 equipados com o botão branco.

7 - RECOMENDAÇÕES

Observar as seguintes recomendações garantirá a máxima exatidão e precisão da amostragem de líquido.

- Ao pipetar, a pipeta deve ter o ajuste de volume travado com o anel de travamento na posição superior.
- Certifique-se de operar a pipeta lentamente e com firmeza.
- A profundidade de mergulho no líquido deve ser a mínima necessária e permanecer constante durante a aspiração.
- A pipeta deve ficar na posição vertical.
- Troque a ponteira quando o volume for trocado ou quando for aspirar um líquido diferente.
- Troque a ponteira se ficar alguma gota na extremidade da ponteira de uma operação anterior.
- Cada ponteira nova deve ser pré-enxaguada com o líquido a ser pipetado.
- O líquido nunca deve entrar na haste da pipeta. Para evitar isto:
 - Pressione e solte o botão lentamente e suavemente.

- Nunca vire a pipeta de cabeça para baixo.
- Nunca deixe a pipeta de lado quando ainda houver líquido na ponteira.
- Nunca force o ajuste de volume para além do limite recomendado.
- Ao pipetar líquidos com temperaturas diferentes da temperatura ambiente, é recomendável pré-enxaguar a ponteira várias vezes antes de usar.
- Não pipete líquidos com temperaturas acima de 70°C.
- Ao pipetar ácidos ou soluções corrosivas que emitem vapores, é recomendável desmontar a haste e enxaguar o pistão e a vedação com água destilada após finalizar a operação de pipetagem.

8 - RECALIBRAGEM

As pipetas **HTL** são calibradas por método gravimétrico, usando ponteiras **HTL** e água destilada, à temperatura de $20 \pm 1^\circ\text{C}$, conforme o padrão EN ISO 8655.

Se durante a pipetagem você achar que o erro de exatidão (a diferença entre o volume real aspirado e o volume pré-ajustado) esteja excedendo o valor permitido pela tabela da Seção 1, o procedimento de recalibragem da pipeta deverá ser realizado.

Antes da recalibragem, é necessário checar se os seguintes requisitos foram cumpridos durante a determinação de erro:

- a temperatura ambiente, temperatura da pipeta, das ponteiras e da água eram idênticas
- a densidade do líquido usado está próxima da densidade da água destilada
- uma balança com sensibilidade apropriada foi usada

Volume checado [μl]	Sensibilidade [mg]
0.1 - 10	≤ 0.001
10 - 100	≤ 0.01
> 100	≤ 0.1

- o fator de conversão $\text{mg}/\mu\text{l}$ foi considerado
- os requisitos fornecidos nas Seções 3 e 4 foram cumpridos

Se as condições acima forem atendidas e o erro de exatidão para o volume escolhido na Seção 1 exceder o valor permitido, o procedimento de recalibragem da pipeta deverá ser realizado.

A recalibragem só pode ser feita com um giro completo da chave para a direita ou para a esquerda.

Condições de recalibragem:

- Temperatura ambiente e temperatura da pipeta, das ponteiros e do líquido devem estar dentro do limite de 20-25°C e estabilizadas durante a pesagem dentro de $\pm 0.5^\circ\text{C}$
- As medições serão conduzidas usando água destilada
- A sensibilidade da balança deverá ser adequada para o volume a ser controlado

Procedimento de recalibragem:

- Ajuste o volume da dose, dependendo do volume da pipeta, conforme a tabela:

Modelo	Limite de volumes de pipeta [μl]	Volume [μl]	Volumes permitidos [μl]	Troca de volume ΔV p/ giro completo da chave de calibragem
DV2, D2	0.1 - 2	0.2	0.176 - 0.224	0.06
DV10, D10	0.5 - 10	0.5	0.48 - 0.52	0.33
DV20, D20	2 - 20	2	1.94 - 2.06	0.63
DV50, D50	5 - 50	5	4.875 - 5.125	2.50
DV100, D100	10 - 100	10	9.84 - 10.16	2.50
DV200, D200	20 - 200	20	19.76 - 20.24	6.30
DV250, D250	50 - 250	50	49.5 - 50.5	6.30
DV1000, D1000	100 - 1000	100	98.4 - 101.6	25.00
DV5000, D5000	500 - 5000	500	494 - 506	125.00
DV10000, D10000	1000 - 10000	1000	975 - 1025	250.00

- Faça 5 aspirações, pese cada uma e calcule o valor médio das aspirações
- Calcule o volume médio aspirado em μl , multiplicando o valor médio de aspiração [mg] pelo coeficiente da densidade de água destilada [$\mu\text{l}/\text{mg}$], dependendo da temperatura e pressão, conforme a tabela seguinte:

Temperatura [$^\circ\text{C}$]	Pressão [kPa]		
	95.0	101.3	105.0
20	1.0028	1.0029	1.0029
21	1.0030	1.0031	1.0031
22	1.0032	1.0033	1.0033
23	1.0034	1.0035	1.0036
24	1.0037	1.0038	1.0038
25	1.0039	1.0040	1.0040

Se o volume médio aspirado exceder o valor permitido, deve-se fazer o seguinte:

- Retire o botão de pipetagem, (Fig. 4A),

Aviso: O botão de pipetagem tem 2 peças: o botão de girar (Fig. 1A2) e o botão de apertar (Fig. 1A1). Após retirar o botão de apertar, as duas peças ficarão separadas.

- Segurando o botão de ajuste de volume para protegê-lo contra rotação, insira a chave de calibragem nos cortes do parafuso de calibragem, (Fig. 4B),
- Gire a chave no sentido horário para reduzir o volume aspirado, ou no sentido anti-horário para aumentar o volume. Um giro completo da chave de calibragem trocará o volume de aspiração da pipeta pelo valor fornecido na tabela, (Fig. 4C),
- Retire a chave e fixe o botão de pipetagem (Fig. 4D). O botão de pipetagem deverá ser fixado pondo o botão de girar na base (Fig. 1A2) e depois, o botão de apertar (Fig. 1A1).

Determine o volume médio aspirado. O volume médio deverá estar dentro do limite permitido pela tabela. Se o volume exceder os valores indicados, o procedimento de recalibragem deverá ser repetido.

Ao pipetar líquidos com propriedades físicas muito diferentes das da água, siga as regras da Seção 5.

Mais informações sobre o procedimento de calibragem podem ser acessadas em www.htl.com.pl

9 - SOLUÇÃO DE PROBLEMAS

Se você notar uma operação indevida da pipeta, identifique a causa e elimine a falha. Para isso, siga as instruções na sequência fornecida. A troca de peças só deve ser feita ocasionalmente e não deverá ocorrer em condição normal de uso da pipeta.

Gotas de líquido na ponteira de pipeta.

- A ponteira foi esvaziada muito rapidamente.
Diminua a velocidade ao pressionar o botão de pipetagem.
- A capacidade de molhar aumentou devido ao uso prolongado.
Troque a ponteira por uma nova.

Bolhas de ar surgem no líquido aspirado para a ponteira.

- O mergulho da ponteira é raso demais.
Mergulhe a ponteira mais profundamente, conforme as instruções.
- A ponteira foi pressionada incorretamente na haste da pipeta.
Pressione a ponteira firmemente.
- A ponteira está desgastada devido ao uso prolongado.
Troque a ponteira por uma nova.

A pipeta aspira incorretamente o líquido ou o líquido escorre da ponteira.

- A ponteira foi pressionada incorretamente na haste da pipeta.
Pressione a ponteira da pipeta com firmeza.
- Porca da haste está solta (Fig. 3F) nos modelos DV/D2-DV/D1000
Aperte a porca da haste.
- A superfície de vedação da haste está rachada ou riscada.
Retire o ejetor. Desparafuse a porca da haste, inspecione o conjunto de eixo e pistão. Troque as peças danificadas (ver seção 12). Ao remontar a pipeta, a porca deve ser apertada a mão.
Nos modelos DV/D2, DV/D10 e DV/D20, o dano à haste também pode causar um dano no conjunto do pistão. Troque as peças danificadas (ver seção 12). Ao remontar a pipeta, a porca deve ser apertada a mão.
Para retirar o ejetor de ponteira nos modelos DV/D5000 e DV/D10000, retire o botão do ejetor (Fig. 3N) e com uma chave de fenda, retire o ejetor de ponteira, girando a chave de fenda no sentido anti-horário.
- Dano ao pistão ou vedação devido ao uso prolongado com líquidos agressivos.
Desmonte a pipeta conforme descrito acima. Troque o pistão, a vedação e o O-ring (ver seção 12). Enxague a parte interna da haste com água destilada e seque. Lubrifique a vedação e o O-ring com o

lubrificante incluído em cada pipeta. A troca do pistão requer a condução do procedimento de calibragem.

Nota: As peças de DV2/D2 e DV/D10 devem ser lubrificadas uniformemente com uma quantidade mínima de lubrificante

- A pipeta foi remontada indevidamente.
Desmonte a pipeta e remonte-a, observando a sequência devida dos passos (Fig. 3).
- Nenhum lubrificante nos elementos de vedação.
Retire o ejetor. Desparafuse a porca da haste, retire o conjunto de haste e pistão, vedação e o O-ring. Enxague as partes removidas com água destilada e deixe secar totalmente. Lubrifique levemente as superfícies internas da vedação e do O-ring com o lubrificante incluído. Remonte a pipeta na ordem inversa.
- Contaminação da parte interna da pipeta causada pela aspiração prolongada de químicos agressivos ou porque o líquido entrou na pipeta.

Retire o ejetor. Desparafuse a porca, retire a haste, o conjunto de pistão, vedação e O-ring. Enxague as partes removidas com água destilada e deixe secar. Lubrifique levemente as superfícies internas da vedação e O-ring com o lubrificante. Remonte a pipeta na ordem inversa.

Se perceber um aumento na força de pipetagem, que pode ocorrer após sucessivas autoclavagens da pipeta: Retire o ejetor. Desparafuse a porca da haste, retire a haste, o conjunto do pistão, vedação e O-ring. Enxague as partes removidas com água destilada e seque. Lubrifique as superfícies internas de vedação e O-ring com o lubrificante incluído em cada pipeta. Remonte a pipeta na ordem inversa.

Nota: Todas as peças da pipeta podem ser autoclavadas (ver seção 10)

A haste dos modelos 5000 e 10000 deve ser autoclavada sem o filtro.

Se o problema persistir após concluir as etapas acima, contate seu representante **HTL**.

Antes de devolver a pipeta, certifique-se de que a mesma esteja totalmente livre de contaminação química, radioativa e microbiológica que possa apresentar uma ameaça durante o transporte e reparo. Dessa forma, limpe a pipeta.

10 - LIMPEZA E ESTERILIZAÇÃO**Limpeza**

As superfícies externas do botão de pipetagem, o botão de ejetor, o pegador, a haste e o botão de ajuste podem ser limpos com um pano embebido em álcool isopropílico.

Aviso: Antes de usar agentes de limpeza diferentes dos recomendados pelo fabricante, cheque os quadros de compatibilidade e considere a resistência química dos seguintes plásticos: PEI, PP, PC, POM, PA, PPS, PVDF usados para produzir peças das pipetas.

Esterilização:

A pipeta pode ser esterilizada em autoclave a 121°C por 20 minutos. Após a esterilização, a pipeta deve ser seca e resfriada até a temperatura ambiente

Recomenda-se:

- esterilizar a pipeta em autoclave com um ciclo inicial de vácuo e secagem,
- antes da esterilização, desparafuse a porca da haste levemente nas pipetas DV/D2-DV/D100 e a haste nas DV/D5000 e DV/D10000. Após autoclavar, as peças deverão ser parafusadas de novo.
- ajustar o anel de travamento na posição inferior (destravado) antes da esterilização.

A precisão dos resultados não se alterará se o processo de pipetagem e autoclave for realizado conforme a descrição deste manual. Por causa da chance de ocorrer uma pequena mudança na exatidão da dosagem, recomenda-se:

- checar a calibragem da pipeta após o 1º, 3º e 5º ciclo de autoclave e depois, após 10 ciclos de autoclave.

Através de testes realizados, confirmamos que a pipeta é resistente à radiação ultravioleta. A distância recomendada entre a fonte de radiação e o elemento exposto não deve ser inferior a 50 cm. Uma exposição intensa, de longa duração, pode alterar ligeiramente o aspecto dos elementos coloridos sem influenciar os parâmetros da pipeta.

11 - KIT DA PIPETA

As pipetas são entregues nos kits incluindo:

- Pipeta

- Manual de instrução
- Chave de calibragem
- Suporte de pipeta
- Tampa de ejetor (para os modelos DV/D2, DV/D10, DV/D5000, DV/D10000)
- Etiquetas de identificação
- Filtros (para os modelos DV/D5000, DV/D10000)
- Lubrificante
- Anéis de identificação por cor (para os modelos DV/D2 - DV/D1000)

O diagrama de montagem da base pode ser visto na Fig. 8

12 - PEÇAS AVULSAS

As peças avulsas indicadas nas Fig. 3, 4, 5 e 7:

A: Botão de pipetagem A1: Botão A2: Botão de girar

B: Botão de ajuste

C: Eixo

D: Ejetor

F: Porca da Haste

G: Conjunto de pistão

I: O-ring

J: Vedação

K: Chave de calibragem

L: Filtro

M: Tampa do ejetor

N: Botão do ejetor

P: Anel de identificação

S: Anel de travamento

podem ser encomendadas de um representante da HTL; o tipo de pipeta e os nomes das peças para esta pipeta deverão ser especificados.

Aviso: A troca do Conjunto de pistão requer a condução do procedimento de calibragem (Veja seção 8)

Todos os direitos reservados. O produto descrito neste manual está sujeito à disponibilidade e modificação técnica. Com exceção dos erros. PZ HTL S.A. reserva o direito de melhorar, aperfeiçoar ou senão modificar seus produtos sem aviso prévio.

© 2015 PZ HTL S.A.

SPIS TREŚCI

1 - WSTĘP
2 - USTAWIANIE OBJĘTOŚCI
3 - POBIERANIE I WYDAWANIE CIECZY
4 - PRZEPŁUKIWANIE
5 - POBIERANIE CIECZY O DUŻEJ GĘSTOŚCI I LEPKOŚCI
6 - KOŃCÓWKI DO PIPET HTL
7 - WSKAZÓWKI EKSPLOATACYJNE
8 - REKALIBRACJA
9 - USUWANIE DROBNYCH USTEREK
10 - CZYSZCZENIE I STERYLIZACJA
11 - KOMPLETACJA
12- CZĘŚCI ZAMIENNE

1 - WSTĘP

Pipety **DISCOVERY Comfort** to rodzina przyrządów przeznaczonych do dokładnego i bezpiecznego odmierzenia i przenoszenia cieczy o dowolnej objętości w zakresie od 0,1 μl do 10000 μl w zależności od modelu.

Pipety **DISCOVERY Comfort** wykonywane są w dwóch wersjach kolorystycznych:

wersja **DV** - trzony wykonane są w kolorze jasnoszarym dla wszystkich modeli,

wersja **D** - trzony wykonane są w kolorze czerwonym, żółtym, zielonym, niebieskim i białym.

Pipety **DISCOVERY Comfort** wyposażone są w cyfrowy licznik pokazujący odmierzaną objętość. Ustawiona objętość widoczna jest w okienku w rękojeści. Ustawienie objętości odbywa się za pomocą pokrętki w przycisku pipetowania (rys. 1A2) lub przez obrócenie pokrętki nastawy objętości (rys. 1B). Konstrukcja pipety umożliwia zablokowanie ustawionej pojemności. W tym celu należy przesunąć tuleję hamulca w pozycję górną (rys.1S). Położenie tulei wskazują odpowiednie symbole na rękojeści. Zakres pobieranej objętości pokazany jest na przycisku pipetowania (rys. 1A1).

Pipety **DISCOVERY Comfort** wykonywane są w 10 modelach pokrywającej zakres pojemności od 0,1 μl do 10000 μl .

Symbol pipety	Zakres pojemności [μl]
DV2, D2	0,1 - 2
DV10, D10	0,5 - 10
DV20, D20	2 - 20
DV50, D50	5 - 50
DV100, D100	10 - 100
DV200, D200	20 - 200
DV250, D250	50 - 250
DV1000, D1000	100 - 1000
DV5000, D5000	500 - 5000
DV10000, D10000	1000 - 10000

Przeznaczenie pipet w zależności od pojemności.

DV2, DV10, D2, D10	Pomiar i przenoszenie ilości śladowych, dzielenie DNA i określanie enzymów.
DV20, DV50, DV100, DV200, DV250, DV1000, D20, D50, D100, D200, D250, D1000	Pomiar i przenoszenie roztworów wodnych, kwasów i zasad.
DV5000, DV10000, D5000, D10000	Pomiar i przenoszenie dużych objętości.

Ciecz pobierana jest do końcówek nakładanych na pipetę, (rys. 1E).

UWAGA: Jednorazowe użycie końcówki gwarantuje bezpieczeństwo i eliminuje możliwość zanieczyszczenia pobieranej cieczy.

Zrzucanie końcówki ułatwia wbudowany w pipetę wyrzutnik, (rys. 1D). Używanie pipet z wyrzutnikiem chroni przed kontaktem z zanieczyszczoną końcówką.

Łatwy demontaż wyrzutnika pozwala na używanie pipet do współpracy z probówkami o małej średnicy, a możliwość zmiany jego długości pozwala na przystosowanie pipet do współpracy z szerokim asortymentem końcówek.

- w pipetach o pojemności 2-1000 μl

Demontaż wyrzutnika (Rys. 6A)

1. Wciśnij przycisk wyrzutnika.
2. Przekręć kolorową tulejkę w lewo do odpięcia.
3. Zdejmij wyrzutnik z plastikowego trzpienia.

Montaż wyrzutnika (Rys. 6B)

1. Wciśnij przycisk wyrzutnika do oporu.
2. Wsuń kolorową tulejkę wyrzutnika na plastikowy trzpień.
3. Przekręć tulejkę w prawo aż do momentu zapiecia (wyczuwalne kliknięcie).

Regulacja długości wyrzutnika (Rys. 6C)

1. Zdejmij przycisk wyrzutnika.
2. Przekręć kolorową tulejkę w lewo zwiększając długość wyrzutnika.
3. Przekręć kolorową tulejkę w prawo – skracając długość wyrzutnika.

- w pipetach o pojemności 5000 i 10000 μ l

Demontaż wyrzutnika (Rys. 7A)

1. Zdejmij przycisk wyrzutnika.
2. Używając śrubokrętu przekręć metalowy trzpień w lewo do momentu odpięcia.
3. Zdejmij wyrzutnik.

Montaż wyrzutnika (Rys. 7A)

1. Zdejmij przycisk wyrzutnika.
2. Używając śrubokrętu przekręć metalowy trzpień w prawo o ok. 5 mm i wyreguluj jego położenie.

Regulacja długości wyrzutnika (Rys. 7A)

1. Zdejmij przycisk wyrzutnika.
2. Używając śrubokrętu przekręć trzpień wyrzutnika w lewo, aby zwiększyć jego długość.
3. Używając śrubokrętu przekręć trzpień wyrzutnika w prawo, aby zmniejszyć jego długość. Zakres tej regulacji wynosi 5 mm.

Po regulacji bądź montażu wyrzutnika, załóż ponownie przycisk wyrzutnika.

Jeśli zakres regulacji opisany powyżej jest niewystarczający lub występują trudności ze zrzucaniem końcówek ze względu na zbyt dużą średnicę otworu wyrzutnika, należy na wyrzutnik założyć załączoną nakładkę wyrzutnika „M”, (rys. 7B).

- w pipetach o pojemności 2 i 10 μ l (rys. 7C)

Pipety w zakresie 2 μ l - 10 μ l mogą wymagać użycia nakładki wyrzutników „M” w celu efektywnego zrzucania końcówek pochodzących od różnych dostawców na

rynku. Nakładkę dostępną w zestawie z pipetą należy nałożyć na zakończenie wyrzutnika od strony zakończenia trzonu tak, aby obejmowała wyrzutnik.

Pipety **DISCOVERY Comfort** są wysokiej jakości przyrządami laboratoryjnymi, zapewniającymi najwyższą dokładność i precyzję pomiarów.

Błędy dokładności i powtarzalności odmierzania cieczy zależą od jakości używanych końcówek. Błędy podane w tabeli uzyskane zostały przy użyciu końcówek **HTL**. Tylko te końcówki gwarantują prawidłową współpracę z pipetami i zapewniają dokładne i powtarzalne pobieranie cieczy.

Symbol	Nr katalogowy	Pojemność [μ l]	Błąd dokładności [%]	Błąd powtarzalności [%]	Końcówka μ l	Kolor trzonu dla D
DV2 D2	4041 4051	0,2	$\pm 12,0$	$\pm 6,0$	10 μ l	czerwony
		1,0	$\pm 2,7$	$\pm 1,3$		
DV10 D10	4042 4052	Max 2,0	$\pm 1,5$	$\pm 0,7$	10 μ l	czerwony
		Min 0,5	$\pm 4,0$	$\pm 2,8$		
DV20 D20	4043 4053	5,0	$\pm 1,0$	$\pm 0,6$	200 μ l	żółty
		Max 10,0	$\pm 0,5$	$\pm 0,4$		
DV50 D50	4047 4057	2	$\pm 3,0$	$\pm 1,5$	200 μ l	żółty
		Max 50	$\pm 0,8$	$\pm 0,4$		
DV100 D100	4044 4054	10	$\pm 1,6$	$\pm 0,80$	200 μ l	żółty
		Max 100	$\pm 0,8$	$\pm 0,20$		
DV200 D200	4045 4055	20	$\pm 1,2$	$\pm 0,60$	200 μ l	żółty
		Max 200	$\pm 0,6$	$\pm 0,20$		
DV250 D250	4040 4050	100	$\pm 1,0$	$\pm 0,4$	300 μ l	zielony
		Max 250	$\pm 0,6$	$\pm 0,3$		
DV1000 D1000	4046 4056	500	$\pm 1,6$	$\pm 0,40$	1000 μ l	niebieski
		Max 1000	$\pm 0,6$	$\pm 0,15$		
DV5000 D5000	4048 4058	500	$\pm 1,2$	$\pm 0,50$	5000 μ l	biały
		Max 5000	$\pm 0,5$	$\pm 0,15$		
DV10000 D10000	4049 4059	1000	$\pm 2,5$	$\pm 0,6$	10000 μ l	biały
		Max 10000	$\pm 0,5$	$\pm 0,2$		

Błędy dokładności i powtarzalności zostały określone przy użyciu końcówek **HTL** metodą grawimetryczną z minimum 10-ciu pobrań wody destylowanej o temperaturze $20 \pm 1^\circ\text{C}$ według normy PN-EN ISO 8655.

Konstrukcja pipety umożliwiła przeprowadzenie rekaliibracji przez użytkownika wg zasad przedstawionych w rozdziale 8.

2 - USTAWIANIE OBJĘTOŚCI

Objętość wskazywana jest przez licznik i składa się z trzech cyfr, które należy odczytać od góry do dołu. Dodatkowo na najniższym bębnie licznika naniesiona jest skala umożliwiająca ustawienie objętości w zakresie działki elementarnej.

Przykłady oznaczeń czarnych i czerwonych cyfr:

Pipety DV2, D2

Czerwone cyfry na dole = 1/100 μ l
Działka elementarna = 0,002 μ l

DV2, D2
1
2
5
1,25 μ l

Pipety DV10, DV20, D10, D20

Czerwone cyfry na dole = 1/10 μ l
Działka elementarna = 0,02 μ l

DV10, D10	DV20, D20
0	1
7	2
5	5
7,5 μ l	12,50 μ l

Pipety DV50, DV100, DV200, DV250, D50, D100, D200, D250

Tylko czarne cyfry = μ l
Działka elementarna = 0,2 μ l

DV50, DV100, D50, D100	DV200, D200, DV250, D250
0	1
3	2
5	5
35 μ l	125 μ l

Pipety DV1000, DV5000, D1000, D5000

Czerwone cyfry na górze = ml
Działka elementarna =

DV1000, D1000	DV5000, D5000
0	1
7	2
5	5
0,75 ml	1,25 ml
2 μ l	10 μ l

Pipety DV10000, D10000

Czerwone cyfry na górze = ml
Działka elementarna = 20 μ l

DV10000, D10000
0
7
5
7,5 ml

Objętość pipety nastawia się za pomocą pokrętki w przycisku pipetowania (rys.1A2) lub pokrętki nastawy objętości (rys.1B). Zmiana ustawienia objętości jest możliwa gdy tuleja hamulca znajduje się w pozycji dolnej (rys. 5A). Po ustawieniu żądanej objętości, tuleja hamulca powinna być ustawiona w pozycji górnej (rys. 5B).

Aby uzyskać maksymalną dokładność, żądana objętość powinna być nastawiana od objętości wyższej przez zmniejszania wskazania licznika.

- Jeśli żądana objętość jest niższa niż ustawiona na liczniku, należy obracając pokrętkę w przycisku pipetowania (rys.1A2) lub pokrętkę nastawy objętości (rys.1B) zmniejszyć wskazania licznika do wartości żądanej. Przed osiągnięciem wartości żądanej należy zmniejszyć prędkość obracania pokrętkę i zwrócić uwagę, aby nie przekroczyć nastawianej wartości.
- Jeśli żądana objętość jest wyższa niż ustawiona na liczniku, należy obracając pokrętkę w przycisku pipetowania lub pokrętkę nastawy objętości zwiększyć wskazania licznika do wartości przekraczającej żądaną objętość o około 1/3 obrotu najniższego bębna. Następnie, powoli kręcąc pokrętkę zmniejszyć nastawę do żądanej, zwracając uwagę, aby jej nie przekroczyć.

W przypadku przekroczenia żądanej wartości, proces nastawy powinien być powtórzony. Żądana objętość powinna być zawsze nastawiana od objętości wyższej przez zmniejszania wskazania licznika.

Po ustawieniu objętości należy przesunąć tuleję hamulca do pozycji górnej, co spowoduje zablokowanie pokrętki i zapobiegnie przypadkowemu przestawieniu objętości.

3 - POBIERANIE I WYDAWANIE CIECZY

Na trzon pipety należy założyć końcówkę. Wybór odpowiedniej końcówki opisany jest w rozdziale 6. Zakładając końcówkę należy wcisnąć ją mocno na trzon ruchem obrotowym. Zapewni to szczelne połączenie.

UWAGA: Nigdy nie należy pobierać cieczy do pipety bez założonej końcówki!

Pobieranie cieczy

Przycisk dozowania należy wcisnąć do pierwszego oporu, (rys. 2A).

Trzymając pipetę pionowo należy zanurzyć końcówkę w pobieranej cieczy. Głębokość zanurzenia końcówki zależy od modelu pipety.

Symbol pipety	Głębokość zanurzenia [mm]
DV2, D2	≤ 1
DV10, D10	≤ 1
DV20, DV50, DV100, D20, D50, D100	2 ÷ 3
DV200, DV250, DV1000, D200, D250, D1000	2 ÷ 3
DV5000, D5000	3 ÷ 6
DV10000, D10000	5 ÷ 7

W celu pobrania cieczy należy powolnym, płynnym ruchem zwolnić przycisk pipetowania, (rys. 2B). Przed wyjęciem końcówki z pobieranej próbki należy odczekać około 1 sekundę.

Przy zanurzeniu końcówki na mniejszą głębokość niż zalecana lub przy szybkim zwolnieniu przycisku pipetowania do końcówki może zostać pobrane powietrze.

UWAGA: Nie należy dotykać zużytej końcówki.

Wydawanie cieczy

- Trzymając pipetę odchyloną od pionu pod kątem od 10 do 40 stopni należy przyłożyć koniec końcówki do ścianki naczynia.
- Następnie powolnym, płynnym ruchem należy wcisnąć przycisk aż do pierwszego oporu powodując wydanie cieczy, (rys. 2C).
- Po upływie około sekundy należy docisnąć przycisk do końca w celu usunięcia z końcówki pozostałości cieczy, (rys. 2D).
- Trzymając przycisk wciśnięty do oporu wyjąć pipetę przesuwając końcówkę po ściance naczynia.
- Następnie należy zwolnić przycisk pipetowania do pozycji początkowej, (rys. 2E) i zrzucić końcówkę wciskając przycisk wyrzutnika, (rys. 2F).

UWAGA: Jeżeli zmieniasz dozowaną ciecz pamiętaj, koniecznie wymień końcówkę na nową.

Filtry

W pipetach 5000 µl i 10000 µl zastosowano wymienny filtr zamontowany w gnieździe w dolnej części trzonu (rys. 3L). Filtr ten zabezpiecza przed dostaniem się pobieranej cieczy do wnętrza trzonu i tym samym przed zanieczyszczeniem wnętrza trzonu i nurnika.

Zastosowanie filtra jest ważne zwłaszcza przy pobieraniu i wydawaniu dużych objętości cieczy.

W przypadku zamoczenia filtra przy pobieraniu cieczy, należy wymienić go na nowy.

4 - PRZEPŁUKIWANIE

Podczas pipetowania cieczy o gęstości większej lub napięciu powierzchniowym mniejszym niż woda (np. surowice lub rozpuszczalniki organiczne), warstwa cieczy osiada na wewnętrznej ściance końcówki. Warstwa ta może być źródłem błędów pomiaru. Ponieważ objętość tej warstwy pozostaje w przybliżeniu stała podczas kolejnych pipetowań z tą samą końcówką, błędów tego można uniknąć tworząc taką warstwę przed pierwszym pipetowaniem. W tym celu należy wykonać jeden pełny cykl pipetowania danej cieczy do tego samego naczynia. Po takim postępowaniu warstwa cieczy znajdzie się w końcówce zapewniając lepszą dokładność i powtarzalność kolejnych pipetowań.

5 - POBIERANIE CIECZY O DUŻEJ GĘSTOŚCI I LEPKOŚCI

Podane w specyfikacji wartości błędów dokładności i powtarzalności pipetowań określone zostały przy pipetowaniu wody destylowanej. Przy pipetowaniu płynów, których właściwości fizyczne takie jak gęstość, lepkość czy napięcie powierzchniowe znacznie różnią się od właściwości wody, może okazać się konieczne skompensowanie ustawienia objętości.

Normalnie, błąd wynikający z gęstości i lepkości cieczy jest pomijalny, jeżeli pipetowania dokonano powoli i ostrożnie. Najważniejsze jest tu na tyle powolne pipetowanie, aby ciecz mogła powoli nadażyć za zmieniającym się ciśnieniem. W tym celu należy każdorazowo odczekać co najmniej dwie sekundy po pobraniu i wydmuchaniu cieczy, nie zmieniając w tym czasie położenia pipety.

W wyjątkowych wypadkach jeżeli ten sposób postępowania nie zapewni otrzymania dokładnych wyników w pracy pipetą należy:

- ustawić pokrętkiem na pipecie objętość do pobrania i pobrać ciecz,
- zważyć pobraną objętość cieczy,
- następnie obliczyć wartość nowej nastawy objętości według następującego wzoru:

Nowa nastawa = 2 x wielkość nominalna (objętość do pobrania) - $\frac{m}{V}$

m - masa pobieranej cieczy przy pierwszym pipetowaniu

γ - gęstość pobieranej cieczy

Schemat ten należy powtórzyć w celu wyeliminowania ewentualnych błędów. Wartość poprawki - czyli różnicy pomiędzy wartością objętości ustawionej na pipecie a rzeczywistą objętością pobieraną można zanotować w celu wykorzystania przy późniejszym pipetowaniu tego samego płynu.

6 - KOŃCÓWKI DO PIPET HTL

Końcówki **HTL** wykonane są w nadzorowanym procesie produkcyjnym z najwyższej jakości polipropylenu co pozwala na uzyskanie najwyższej jakości wyrobu. Jakość ta gwarantuje prawidłową współpracę z pipetami **DISCOVERY Comfort** i zapewnia dokładne i powtarzalne pobieranie cieczy.

Błędy dokładności i powtarzalności pipet **DISCOVERY Comfort** zostały wyznaczone przy użyciu końcówek **HTL**. Zmiana końcówek na końcówki o niższej jakości może spowodować pogorszenie dokładności i powtarzalności pobierania.

Końcówki 10

Końcówki używane do pobierania cieczy o objętości od 0,1 do 10 μl . Stosowane do pipet typu DV2, DV10, D2 i D10, wyposażonych w czerwony przycisk pipetowania.

Końcówki 200

Końcówki używane do pobierania cieczy o objętości od 2 do 200 μl . Stosowane do pipet typu DV20, DV50, DV100, DV200, D20, D50, D100 i D200, wyposażonych w żółty przycisk pipetowania.

Końcówki 300

Końcówki używane do pobierania cieczy o objętości od 50 do 250 μl . Stosowane do pipet typu DV250 i D250, wyposażonych w zielony przycisk pipetowania.

Końcówki 1000

Końcówki używane do pobierania cieczy o objętości od 100 do 1000 μl . Stosowane do pipet typu DV1000 i D1000, wyposażonych w niebieski przycisk pipetowania.

Końcówki 5000

Końcówki używane do pobierania cieczy o objętości od 500 do 5000 μl . Stosowane do pipet typu DV5000 i D5000, wyposażonych w biały przycisk pipetowania.

Końcówki 10000

Końcówki używane do pobierania cieczy o objętości od 1000 do 10000 μl . Stosowane do pipet typu DV10000 i D10000, wyposażonych w biały przycisk pipetowania.

7 - WSKAZÓWKI EKSPLOATACYJNE

Przestrzeganie poniższych wskazówek zapewnia dokładne i powtarzalne pobieranie cieczy.

- Pipeta **DISCOVERY Comfort** podczas pracy powinna mieć zablokowane ustawienie pojemności przy pomocy tulei hamulca.
- Ruch przycisku pipetowania w czasie pobierania i wydawania cieczy powinien być wolny i płynny.
- Głębokość zanurzenia końcówki w pobieranej cieczy powinna być możliwie mała i stała w trakcie pobierania.
- Pipeta w czasie pracy powinna być trzymana pionowo.
- Końcówkę należy wymienić na nową jeżeli zmienia się dozowana ciecz.
- Końcówkę należy wymienić na nową jeżeli pozostają w niej widoczne krople cieczy.
- Każda nowa końcówka powinna zostać przepłukana.
- Pobierana ciecz nie powinna dostać się do wnętrza trzonu pipety. Aby to zapewnić:
 - Wcisnij i zwalnij przycisk pipetowania wolno i płynnie.
 - Nie odkładaj pipety jeżeli w końcówce znajduje się ciecz.
 - Nie odwracaj pipety.
- Nie należy ustawiać objętości poza nominalne wielkości.
- Przed pobieraniem cieczy o temperaturze różnej od temperatury otoczenia zaleca się kilkakrotnie przepłukanie końcówki pobieraną cieczą.
- Nie należy pobierać cieczy o temperaturze powyżej 70°C.
- Po zakończeniu pobierania kwasów i agresywnych roztworów zaleca się odkręcenie trzonu pipety i przemycie nurnika, uszczelki i trzonu wodą destylowaną.

8 - REKALIBRACJA

Pipety HTL są kalibrowane metodą grawimetryczną, przy użyciu końcówek HTL i wody destylowanej, w temperaturze $20 \pm 1^\circ\text{C}$ zgodnie z normą PN-EN ISO 8655.

W przypadku stwierdzenia w trakcie używania pipety, że błąd dokładności (różnica między rzeczywistą objętością pobieraną a objętością nastawioną) przekracza dopuszczalną wartość podaną w tabeli w rozdziale 1, należy przeprowadzić rekaliibrację pipety.

Przed przystąpieniem do rekaliibracji należy sprawdzić czy przy wyznaczaniu błędu zostały spełnione poniższe warunki:

- temperatura otoczenia, pipety, końcówek i wody była jednakowa,
- gęstość używanej cieczy była zbliżona do wody destylowanej,
- stosowana była waga o odpowiedniej czułości,

Sprawdzana objętość [μl]	Czułość wagi [mg]
0,1 - 10	$\leq 0,001$
10 - 100	$\leq 0,01$
> 100	$\leq 0,1$

- uwzględniony został przelicznik mg/ μl ,
 - spełnione zostały wymagania podane w rozdziałach 3 i 7.
- Jeżeli powyższe warunki zostały spełnione a błąd dokładności dla wybranej pojemności podanej w rozdziale 1 przekracza wartość dopuszczalną należy przeprowadzić rekaliibrację pipety.

Rekaliibrację można wykonać tylko w zakresie jednego pełnego obrotu klucza w lewą lub w prawą stronę.

Warunki przeprowadzenia rekaliibracji:

- Temperatura otoczenia, pipety, końcówki i cieczy powinna być w granicach $20-25^\circ\text{C}$ i stabilizowana w trakcie ważenia w granicach $\pm 0,5^\circ\text{C}$,
- Pomiar należy przeprowadzić przy użyciu wody destylowanej,
- Czułość wagi powinna być odpowiednia do sprawdzanej objętości.

Sposób przeprowadzenia rekaliibracji:

- Ustawić objętość dawki w zależności od pojemności pipety zgodnie z poniższą tabelą.

Symbol	Zakres pojemności pipety [μl]	Objętość ustawiana [μl]	Dopuszczalne wartości [μl]	Zmiana objętości przy pełnym obrocie klucza kalibracyjnego ΔV [μl] (24 dziółki)
DV2, D2	0,1 - 2	0,2	0,176 - 0,224	0,06
DV10, D10	0,5 - 10	0,5	0,48 - 0,52	0,33
DV20, D20	2 - 20	2	1,94 - 2,06	0,63
DV50, D50	5 - 50	5	4,875 - 5,125	2,50
DV100, D100	10 - 100	10	9,84 - 10,16	2,50
DV200, D200	20 - 200	20	19,76 - 20,24	6,30
DV250, D250	50 - 250	50	49,5 - 50,5	6,30
DV1000, D1000	100 - 1000	100	98,4 - 101,6	25,00
DV5000, D5000	500 - 5000	500	494 - 506	125,00
DV10000, D10000	1000 - 10000	1000	975 - 1025	250,00

- Wykonać pięć pobrań, ważąc je za każdym razem i obliczyć średnią wartość tych pobrań.
- Obliczyć średnią pobieraną objętość w μl mnożąc średnią wartość pobrań [mg] przez współczynnik gęstości wody destylowanej [$\mu\text{l}/\text{mg}$] zależny od temperatury i ciśnienia wg tabeli.

Temperatura [$^\circ\text{C}$]	Ciśnienie [kPa]		
	95,0	101,3	105,0
20	1,0028	1,0029	1,0029
21	1,0030	1,0031	1,0031
22	1,0032	1,0033	1,0033
23	1,0034	1,0035	1,0036
24	1,0037	1,0038	1,0038
25	1,0039	1,0040	1,0040

Jeśli średnia objętość pobierana przekracza dopuszczalne wartości należy:

- Zdjąć przycisk pipetowania, (rys. 4A),
Uwaga: Przycisk pipetowania składa się z dwóch części: pokrętła (rys. 1A2) i przycisku (rys. 1A1). Po zdjęciu przycisku obie części ulegają rozłączeniu.
- Trzymając pokrętło nastawiania objętości tak, aby zabezpieczyć je przed obrotem, włożyć klucz kalibracyjny w kanałki wkręta kalibracyjnego, (rys. 4B).
- Przekręcić klucz zgodnie ze wskazówkami zegara dla zmniejszenia wielkości pobieranej, lub przeciwnie do

wskazówek zegara dla zwiększenia wielkości pobieranej, (rys. 4C).

Jeden pełny obrót klucza kalibracyjnego zmienia pobieraną objętość pipety o wartości ΔV podane w tabeli.

- Wyjąć klucz kalibracyjny i założyć przycisk pipetowania, (rys. 4D). Przycisk pipetowania zamontuj zakładając na trzpień najpierw pokrętło (rys. 1A2) a następnie przycisk (rys. 1A1).

Wyznaczyć średnią pobieraną objętość. Objętość średnia powinna mieścić się w obszarze dopuszczalnych wartości podanych w tabeli. Jeśli objętość ta przekracza podane wartości, rekalkibrację należy powtórzyć.

W przypadku pipetowania płynów, których właściwości fizyczne znacznie różnią się od właściwości wody należy postępować zgodnie z rozdziałem 5.

Więcej informacji na temat kalibracji znajduje się na stronie www.htl.com.pl

9 - USUWANIE DROBNYCH USTEREK

Jeżeli stwierdzisz nieprawidłową pracę pipety sprawdź przyczynę i usuń usterkę. Usuwanie usterkę postępuj w kolejności podanej w instrukcji. Wymianę elementów na nowe traktuj jako ostateczność, która przy prawidłowej eksploatacji pipety nie powinna się zdarzyć.

W końcówce zostają krople cieczy.

- Zbyt szybkie opróżnianie końcówki.

Zwolnij prędkość wciskania przycisku pipetowania.

- Zwiększona zwilżalność końcówki spowodowana wielokrotnym użyciem.

Wymień końcówkę na nową.

W cieczy pobranej do końcówki pojawiają się pęcherze powietrza.

- Mała głębokość zanurzenia końcówki.

Zanurz końcówkę głębiej zgodnie z instrukcją.

- Kończówka słabo wciśnięta na trzon pipety.

Wciśnij końcówkę mocniej.

- Kończówka uszkodzona lub wielokrotnie używana.

Wymień końcówkę na nową.

Pipeta nieprawidłowo pobiera lub ciecz wycieka z końcówki.

- Kończówka słabo wciśnięta na trzon pipety.

Wciśnij końcówkę mocniej.

- Odkręcona nakrętka mocująca trzon (rys. 3F) w pipetach DV/D2 - DV/D1000.

Dokręć nakrętkę mocującą trzon.

- Pęknięcie lub zarysowanie powierzchni uszczelniającej trzonu.

Wyciągnij wyrzutnik, odkręć nakrętkę mocującą trzon, sprawdź trzon i zespół nurnika. Wymień uszkodzone części (patrz rozdz. 12), zamontuj pipetę dokręcając nakrętkę.

W pipetach DV/D2, DV/D10 i DV/D20 uszkodzenie trzonu może pociągnąć za sobą uszkodzenie zespołu nurnika. Wymień uszkodzone części (patrz rozdz. 12), zamontuj pipetę dokręcając nakrętkę.

Aby wyjąć wyrzutnik w pipetach DV/D5000 i DV/D10000 należy zdjąć przycisk wyrzutnika (rys. 3N) i za pomocą wkrętaka wykręcić wyrzutnik obracając wkrętak w kierunku przeciwnym do ruchu wskazówek zegara.

- Uszkodzenie nurnika lub uszczelki pipety spowodowane długotrwałym pobieraniem agresywnych cieczy.

Rozkręć pipetę jak wyżej. Wymień zespół nurnika, uszczelkę i O-ring (patrz rozdz.12). Umyj wnętrze trzonu wodą destylowaną. Uszczelkę i O-ring nasmaruj smarem dołączanym do każdej pipety. Wymiana nurnika wymaga rekalkibracji pipety.

W pipetach DV/D2 i DV/D10 należy zwrócić uwagę, aby elementy smarowane, były pokryte równomiernie, minimalną ilością smaru.

- Nieprawidłowe zmontowanie pipety.

Rozmontuj pipetę i zamontuj ponownie zachowując prawidłową kolejność montażu (rys. 3).

- Brak smaru na elementach uszczelniających.

Zdejmij wyrzutnik. Odkręć nakrętkę mocującą trzon, wyjmij trzon, zespół nurnika, uszczelkę i O-ring. Wyjęte części umyj w wodzie destylowanej i wysusz. Wewnętrzne powierzchnie uszczelki i O-ringa nasmaruj lekko smarem dołączanym do każdej pipety. Zamontuj pipetę w odwrotnej kolejności.

- Zanieczyszczenie wnętrza pipety spowodowane długotrwałym pobieraniem cieczy agresywnych chemicznie lub zalaniem wnętrza pipety.

Wyciągnij wyrzutnik, odkręć nakrętkę mocującą trzon, wyjmij trzon, zespół nurnika, uszczelkę i O-ring. Wyjęte części umyj w wodzie destylowanej i wysusz. Wewnętrzne powierzchnie uszczelki i O-ringa nasmaruj lekko smarem. Zamontuj pipetę ponownie.

Jeśli stwierdzisz wzrost sił pipetowania, co może nastąpić po wielokrotnym autoklawowaniu pipety:

Zdejmij wyrzutnik. Odkręć nakrętkę mocującą trzon, wyjmij trzon, zespół nurnika, uszczelkę i O-ring. Wyjęte części umyj w wodzie destylowanej i wysusz. Wewnętrzną powierzchnię uszczelki i O-ringa nasmaruj lekko smarem dołączanym do każdej pipety. Zmontuj pipetę w odwrotnej kolejności.

Uwaga: Wszystkie części pipety mogą być autoklawowalne, patrz rozdział 10.

Trzony pipet 5000 i 10000 należy autoklawować bez filtra.

Jeżeli wykonanie opisanych wyżej czynności nie usunie nieprawidłowej pracy pipety wyślij ją do serwisu **HTL**.

Przed wysyłką upewnij się czy pipeta nie jest zanieczyszczona agresywnymi odczynnikami chemicznymi, radioaktywnymi, mikrobiologicznymi stanowiącymi zagrożenie podczas transportu i naprawy. W miarę możliwości oczyść pipetę.

10 - CZYSZCZENIE I STERYLIZACJA

Czyszczenie:

Zewnętrzne powierzchnie przycisku pipetowania, przycisku wyrzutnika, rękojeści i pokrętki kalibracyjnego można czyścić tamponem nasączonym alkoholem izopropylowym. Pozostałe części wyjmowane z pipety w trakcie demontażu mogą być myte w wodzie destylowanej lub w alkoholu izopropylowym.

Uwaga: Przed użyciem środków czyszczących innych niż zalecane przez producenta należy sprawdzić tabele odporności chemicznej tworzyw, z których wykonane są elementy pipety: PEI, PP, POM, PC, PA, PPS, PVDF.

Sterylizacja:

Pipeta może być poddana sterylizacji w całości w autoklawie w temperaturze 121°C przez 20 minut. Po przeprowadzeniu sterylizacji pipeta powinna zostać wysuszona i ostudzona do temperatury pokojowej.

Zaleca się:

- sterylizowanie pipet w autoklawie z cyklem próżni wstępnej i suszenia,
- przed sterylizacją lekko odkręcić nakrętkę mocującą trzon w pipetach DV/D2 - DV/D1000 a w pipetach DV/D5000 i DV/D10000 lekko odkręcić trzon. Po auto-

klawowaniu należy części te ponownie dokręcić.

- przed sterylizacją ustawić tuleję hamulca w pozycji dolnej. Przy prawidłowej eksploatacji i prawidłowo przeprowadzonym procesie autoklawowania nie zmienia się powtarzalność uzyskiwanych wyników. Ponieważ może wystąpić nieznaczna zmiana dokładności dozowania dlatego zaleca się:

- sprawdzanie kalibracji pipet po 1, 3 i 5 autoklawowaniu i co 10 cykli autoklawowań w dalszym okresie eksploatacji pipety.

Uwaga: Trzony pipet 5000 i 10000 należy autoklawować bez filtra.

Pipety są odporne na działanie promieni UV, co zostało potwierdzone przez nasze testy. Zalecana odległość od źródła promieniowania do elementu naświetlanego powinna być nie mniejsza niż 50 cm. Zbyt długotrwałe, intensywne naświetlanie może powodować nieznaczne zmiany w estetyce elementów kolorowych, bez wpływu na parametry pipety.

11 - KOMPLETACJA

Pipety dostarczane są w następującym skompletowaniu:

- Pipeta
- Instrukcja obsługi
- Klucz kalibracyjny
- Statyw do pipet
- Nasadka wyrzutnika (do pipet DV/D2, DV/D10, DV/D5000-DV/D10000)
- Nalepki identyfikacyjne
- Filtry (do pipet DV/D5000-DV/D10000)
- Smar
- Pierścienie identyfikacyjne (do pipet DV/D2 - DV/D1000)

Schemat montażu statywu pokazany jest na rysunku 8.

12 - CZĘŚCI ZAMIENNE

Części zamienne do pipet **DISCOVERY Comfort** pokazane na rysunku 3, 4, 5 i 7:

A: Przycisk pipetowania **A1: Przycisk** **A2: Pokrętko**

B: Pokrętko nastawy objętości

C: Trzon

D: Wyrzutnik

F: Nakrętka mocująca trzon

G: Zespół nurnika

I: O-ring

J: Uszczelka

K: Klucz kalibracyjny

L: Filtr

M: Nasadka wyrzutnika

N: Przycisk wyrzutnika

P: Pierścień identyfikacyjny

S: Tuleja hamująca

Zamawiając części zamienne do pipety należy określić typ pipety, numer katalogowy, numer seryjny umieszczony na rękojeści oraz podać nazwę zamawianej części.

Specyfikacja części serwisowych podana jest na stronie www.htl.com.pl

UWAGA: Wymiana zespołu nurnika wymaga przeprowadzenia rekaliibracji pipety zgodnie z rozdziałem 8.

Wszelkie prawa zastrzeżone. Produkty opisane w niniejszej instrukcji są dostępne w ograniczonym zakresie i podlegają zmianom technicznym. Błędy są dopuszczalne.

PZ HTL S.A. zastrzega sobie prawo ulepszania lub innego modyfikowania swoich produktów bez wcześniejszego powiadomienia.

© 2015 PZ HTL S.A.

СОДЕРЖАНИЕ

1 - ВВЕДЕНИЕ
2 - ВЫБОР И УСТАНОВКА ОБЪЕМА
3 - НАБОР И ВЫПУСКАНИЕ ЖИДКОСТИ
4 - ПРОМЫВКА
5 - НАБОР ЖИДКОСТИ ПОВЫШЕННОЙ ВЯЗКОСТИ
6 - НАКОНЕЧНИКИ НТЛ
7 - УКАЗАНИЯ ПО ЭКСПЛУАТАЦИИ
8 - КАЛИБРОВКА
9 - УСТРАНЕНИЕ МЕЛКИХ ДЕФЕКТОВ
10 - ОЧИСТКА И СТЕРИЛИЗАЦИЯ
11 - КОМПЛЕКТАЦИЯ
12 - ЗАПАСНЫЕ ЧАСТИ

1 - ВВЕДЕНИЕ

DISCOVERY Comfort - это пипетки переменного объема для дозирования жидкости в пределах 0,1 до 10000 мкл в зависимости от модели.

Пипетки **DISCOVERY Comfort** изготавливаются в двух цветовых версиях.

Версия **DV** - конусы пипеток всех модели изготовлены из материалов светло-серого цвета.

Версия **D** - нестандартная берсия пипеток, поставляемых по специальному заказу. Конусы пипеток изготовлены из материалов в цветах красный, желтый, зеленый, голубой или белый.

Пипетки **DISCOVERY Comfort** оснащены цифровым счетчиком, считывающим отмеряемую дозу жидкости. Отмеряемый объем виден в окошке рукоятки пипетки. Изменение объема достигается путем поворота воротка в кнопке пипетирования (рис. 1A2) или вращением регулятора установки объема (рис. 1B). Конструкция пипетки позволяет заблокировать установленное значение объема. Для этого необходимо перевести ограничительное кольцо в верхнее положение (рис. 1S). Положение кольца показывают соответствующие символы на рукоятке. Диапазон объемов, которые можно отмеривать с помощью пипетки, обозначен на клавише пипетирования. (рис. 1A1).

Пипетки **DISCOVERY Comfort** изготавливаются в 10 моделях в пределах объема от 0,1 мкл до 10000 мкл.

Тип пипетки	Объем [мкл]
DV2, D2	0,1 - 2
DV10, D10	0,5 - 10
DV20, D20	2 - 20
DV50, D50	5 - 50
DV100, D100	10 - 100
DV200, D200	20 - 200
DV250, D250	50 - 250
DV1000, D1000	100 - 1000
DV5000, D5000	500 - 5000
DV10000, D10000	1000 - 10000

Предназначение пипеток в зависимости от объема.

DV2, DV10, D2, D10	Измерение, перенос, малых количеств, деление ДНА и определение ферментов.
DV20, DV50, DV100, DV200, DV250, DV1000, D20, D50, D100, D200, D250, D1000	Измерение, перенос, водных, кислотных и щелочных растворов.
DV5000, DV10000, D5000, D10000	Измерение, перенос больших объемов.

Жидкость набирается в наконечники, одеваемые на пипетки. Однократное употребление наконечников гарантирует безопасность и исключает возможность загрязнения набираемой жидкости.

Сбрасывание наконечников облегчает сбрасыватель, вмонтированный в пипетку. Применение сбрасывателя позволяет избежать контакта с загрязненным наконечником.

Сбрасыватель наконечников можно снять с пипетки, облегчая таким образом набор жидкости из длинных пробирок с малым диаметром. Изменение длины сбрасывателя позволяет использовать в работе большой ассортимент наконечников.

Пипетки емкостью 2-1000 мкл

Демонтаж эжектора (рис. 6A)

1. Нажать кнопку эжектора.
2. Перекрутить цветную муфту по влево до отсоединения.
3. Снять эжектор с пластикового корпуса.

Монтаж эжектора (рис. 6B)

1. Нажать кнопку эжектора до упора.
2. Установить цветную муфту эжектора на пластиковый корпус.
3. Перекрутить муфту вправо до фиксации (звук щелчка).

Регулирование длины эжектора (рис. 6C)

1. Снять кнопку эжектора.
2. Перекрутить цветную муфту влево, увеличивая длину эжектора.
3. Перекрутить цветную муфту вправо, уменьшая длину эжектора.

- пипетки емкостью 5000 и 10000 мкл

Демонтаж эжектора (рис. 7A)

1. Снять кнопку эжектора.
2. С помощью отвертки перекрутить металлическую сердцевину влево до отсоединения.
3. Снять эжектор.

Монтаж эжектора (рис. 7A)

1. Снять кнопку эжектора.
2. С помощью отвертки перекрутить металлическую сердцевину вправо приблизительно на 5 мм и отрегулировать его положение.

Регулирование длины эжектора (рис. 7A)

1. Снять кнопку эжектора.
2. С помощью отвертки перекрутить металлическую сердцевину эжектора в направлении против часовой стрелки, чтобы увеличить его длину.
3. С помощью отвертки перекрутить металлическую сердцевину эжектора в направлении по часовой стрелке, чтобы уменьшить его длину. Диапазон такого регулирования составляет 5 мм.

После регулирования или монтажа эжектора необходимо установить кнопку эжектора обратно.

Если вышеописанный метод настройки сбрасывателя оказался недостаточным или диаметр отверстия сбрасывателя слишком велик для того, чтобы сбросить наконечник, необходимо надеть на сбрасыватель насадку "М", (рис. 7B).

- в пипетках емкостью 2-10 мкл (рис. 7C)

Пипетки в диапазоне 2 мкл -10 мкл могут требовать применения насадки эжекторов "М" для эффективного сбрасывания наконечников, поставляемых на рынок

различными поставщиками. Насадку, которая находится к комплекте с пипеткой, следует надеть на кончик эжектора со стороны конца штока таким образом, чтобы насадка охватывала эжектор.

Пипетки **DISCOVERY Comfort** - приборы высокого качества, обеспечивающие высокую точность дозирования.

Ошибки точности и воспроизводимости дозирования жидкости зависят от качества применяемых наконечников. Ошибки приведены в таблице и определены при помощи наконечников **HTL**. Только эти наконечники гарантируют точность при работе с пипетками, а также обеспечивают воспроизводимость дозирования жидкости.

Технические параметры

Тип пипетки	№ по каталогу	Объем (мкл)	Ошибка точности [%]	Ошибка воспроизводимости [%]	Тип наконечника мкл	Цвет конуса для D
DV2 D2	4041	0,2	± 12,0	± 6,0	10 мкл	красный
	4051	1,0 Max 2,0	± 2,7 ± 1,5	± 1,3 ± 0,7		
DV10 D10	4042	Min 0,5	± 4,0	± 2,8	200 мкл	желтый
	4052	5,0 Max 10,0	± 1,0 ± 0,5	± 0,6 ± 0,4		
DV20 D20	4043	Min 2	± 3,0	± 1,5	300 мкл	зеленый
	4053	10 Max 20	± 1,0 ± 0,8	± 0,5 ± 0,3		
DV50 D50	4047	Min 5	± 2,5	± 2,0	1000 мкл	голубой
	4057	25 Max 50	± 1,0 ± 0,8	± 0,6 ± 0,4		
DV100 D100	4044	Min 10	± 1,6	± 0,80	5000 мкл	белый
	4054	50 Max 100	± 0,8 ± 0,8	± 0,24 ± 0,20		
DV200 D200	4045	Min 20	± 1,2	± 0,60	10000 мкл	
	4055	100 Max 200	± 0,8 ± 0,6	± 0,25 ± 0,20		
DV250 D250	4040	Min 50	± 1,0	± 0,4	5000 мкл	
	4050	125 Max 250	± 0,8 ± 0,6	± 0,3 ± 0,3		
DV1000 D1000	4046	Min 100	± 1,6	± 0,40	5000 мкл	
	4056	500 Max 1000	± 0,7 ± 0,6	± 0,20 ± 0,15		
DV5000 D5000	4048	Min 500	± 1,2	± 0,50	5000 мкл	
	4058	2500 Max 5000	± 0,6 ± 0,5	± 0,20 ± 0,15		
DV10000 D10000	4049	Min 1000	± 2,5	± 0,6	10000 мкл	
	4059	5000 Max10000	± 0,8 ± 0,5	± 0,3 ± 0,2		

Ошибки точности и воспроизводимости были определены при использовании наконечников **HTL** гравиметрическим методом по 10 отборам проб дистиллированной воды при температуре $20 \pm 1^\circ\text{C}$, в соответствии со стандартом EN ISO 8655.

Конструкция пипетки обеспечивает возможность пользователю провести ее калибровку в порядке, приведенном в разделе 8.

2 - УСТАНОВКА ОБЪЕМА

Объем, подаваемый счетчиком, состоит из трех цифр, которые следует считывать сверху вниз. Дополнительно, на самом нижнем валике счетчика нанесена шкала, позволяющая установку в пределах деления элементарной пипетки.

Примеры обозначения черных и красных цифр:

Пипетки **DV2, D2**

Красные цифры в конце = 1/100 мкл
Цена деления = 0,002 мкл

DV2, D2
1
красный 2
красный 5
1,25 мкл

Пипетки **DV10, DV20, D10, D20**

Красные цифры в конце = 1/10 мкл
Цена деления = 0,02 мкл

DV10, D10	DV20, D20
0	1
7	красный 2
красный 5	красный 5
7,5 мкл	12,50 мкл

Пипетки **DV50, DV100, DV200, DV250, D50, D100, D200, D250**

Только черные цифры = мкл
Цена деления = 0,2 мкл

DV50, DV100, D50, D100	DV200, D200, DV250, D250
0	1
3	2
5	5
35 мкл	125 мкл

Пипетки **DV1000, DV5000, D1000, D5000**

Красные цифры на верху = мл
Цена деления =

DV1000, D1000	DV5000, D5000
красный 0	красный 1
красный 7	2
красный 5	5
0,75 мл	1,25 мл
2 мкл	10 мкл

Пипетки **DV10000, D10000**

Красные цифры на верху = мл
Цена деления = 20 мкл

DV10000, D10000
красный 0
красный 7
красный 5
7,5 мл

Емкость пипетки регулируется с помощью ручки-воротка, расположенной в кнопке пипетирования

(рис.1A2) либо регулятора установки объема (рис.1B). Изменение установок объема возможно, когда ограничительное кольцо находится в нижнем положении (рис. 5A). После установки требуемого объема, ограничительное кольцо должно быть переведено в верхнее положение (рис. 5B). Чтобы достичь максимальной точности, нужная емкость должна устанавливаться начиная с более высокой, путем уменьшения показаний счетчика.

- Если нужная емкость ниже установленной на счетчике, показания счетчика необходимо уменьшить до получения нужного значения, вращая для этого ручку-вороток кнопки пипетирования (рис. 1A2) либо регулятора установки объема (рис.1B). Перед достижением нужного значения, скорость вращения ручки следует уменьшить, чтобы случайно не пропустить устанавливаемое значение.
- Если нужная емкость выше установленной на счетчике, показания счетчика следует увеличить до значения, превышающего нужную емкость на около 1/3 оборота нижнего барабана, вращая для этого ручку-вороток кнопки пипетирования либо регулятора установки объема. Затем, путем медленного вращения ручки, скорость установки необходимо постепенно уменьшать, так чтобы не пропустить нужное значение.

В случае превышения нужного значения, процесс установки следует повторить. Нужная емкость должна всегда устанавливаться исходя из более высокой, путем уменьшения показаний счетчика.

После установки объема необходимо перевести ограничительное кольцо в верхнее положение, что заблокирует регулятор от случайного изменения объема.

3 - НАБОР И ВЫПУСКАНИЕ ЖИДКОСТИ.

На конус пипетки нужно надеть наконечник. Выбор нужного наконечника пипетки описан в главе 6. Наконечник надевается на конус пипетки вращательным движением с одновременным прижиманием. Это обеспечивает герметическое соединение наконечника с пипеткой.

ВНИМАНИЕ: Не можно набирать жидкость пипеткой без наконечника.

Набор жидкости.

Нажат кнопку пипетки до первого упора (рис. 2А). Удерживая пипетку вертикально, погрузить наконечник в дозируемую жидкость. Глубина погружения зависит от используемого наконечника и величины набираемого объема.

Тип пипетки	Глубина погружения [мм]
DV2, D2	≤ 1
DV10, D10	≤ 1
DV20, DV50, DV100, D20, D50, D100	2 ÷ 3
DV200, DV250, DV1000, D200, D250, D1000	2 ÷ 3
DV5000, D5000	3 ÷ 6
DV10000, D10000	5 ÷ 7

Медленно и плавно отпустить кнопку пипетки, набирая жидкость в наконечник (рис. 2В). Подождать в течение секунды и вынуть наконечник. При погружении наконечника на более мелкую, чем рекомендуемая глубину, или при быстром освобождении кнопки сбрасывания в наконечник, может произойти засасывание воздуха.

ВНИМАНИЕ: Нельзя прикасаться к использованному наконечнику.

Выпускание жидкости.

Слегка наклонив пипетку (на 10-40°) нужно дотронуться наконечником до внутренней стенки сосуда. Затем медленно и плавно нажать кнопку до упора, что приводит к удалению жидкости. (рис. 2С). Подождать в течение секунды. Дожать кнопку пипетки до конца в целях удаления оставшейся жидкости. Удерживая кнопку пипетки, нажатой до упора, вынуть наконечник, перемещая его по стенке сосуда. Затем нужно отпустить кнопку пипетки до первоначальной позиции и снять наконечник, нажимая на кнопку сбрасывателя.

ВНИМАНИЕ: При смене набираемой жидкости необходимо заменить наконечник.

Фильтры

В пипетках 5000 мкл и 10000 мкл применен сменный фильтр, монтируемый в гнезде, в нижней части корпуса (рис. 3L). Этот фильтр предохраняет от попадания набираемой жидкости внутрь корпуса и тем самым предотвращает загрязнение внутренней полости кор-

пуса и плунжера. Применение фильтра имеет очень важное значение, особенно при набории и выпуски больших объемов жидкости.

В случае, если фильтр замочится при набории жидкости, необходимо его заменить новым.

4 - ПРОМЫВКА

При использовании пипетки для дозирования концентрированных кислот, щелочей, а также других едких жидкостей, слой этих жидкостей оседает на внутренней поверхности наконечников что может быть источником ошибок измерений. Так как объем слоев остается примерно постоянным во время следующих работ с тем самым наконечником, то ошибку можно устранить. Для этого нужно провести полный цикл набора и удаление жидкости в одном и том же сосуде. После такой процедуры слой жидкости будет находиться в наконечнике и обеспечит лучшую точность воспроизводимости в дальнейшей работе.

5 - НАБОР ЖИДКОСТИ ПОВЫШЕННОЙ ВЯЗКОСТИ

Если вышеописанный метод в исключительных случаях не позволяет получить точных результатов, то нужно:

- Уставить воротком на пипетке объем набираемой жидкости и набрать жидкость,
- Затем взвесить объем набранной жидкости,
- Затем вычислить новую величину установки следующим образом:

$$\text{Новая установка} = 2 \times \text{номинальная величина (объем до отбора)} - \frac{m}{\gamma}$$

m - масса жидкости при первом отборе

γ - вязкость жидкости

Вышеуказанный метод нужно повторить для устранения ошибок. Величина исправлений, т. е. разница между величиной объема установленной на пипетке, а действительным набранным объемом, можно записать и использовать в дальнейшей работе с той самой жидкостью.

6 - НАКОНЕЧНИКИ НТЛ

Наконечники НТЛ изготовлены из высококачественного полипропилена. Качество наконечников гаранти-

рует правильную работу пипеток **DISCOVERY Comfort** и обеспечивает точный и воспроизводимый набор жидкости. Ошибки точности и воспроизводимости результатов работы пипеток **DISCOVERY Comfort** были определены с использованием наконечников **HTL**. Замена этих наконечников на наконечники других фирм может послужить причиной ухудшения точности работы пипеток.

В зависимости от набираемого объема применяются наконечники **HTL**:

Наконечник 10

Эти наконечники применяются для набора жидкостей объемом от 0,1 до 10 мкл. Предназначены для пипеток типа DV2, DV10, D2, D10, имеющих кнопку пипетирования красного цвета.

Наконечники 200

Эти наконечники применяются для набора жидкостей объемом от 2 до 200 мкл. Предназначены для пипеток типа DV20, DV50, DV100, DV200, D20, D50, D100, D200, имеющих кнопку пипетирования желтого цвета.

Наконечники 300

Эти наконечники применяются для набора жидкостей объемом от 50 до 250 мкл. Предназначены для пипеток типа DV250, D250, имеющих кнопку пипетирования зеленого цвета.

Наконечники 1000

Эти наконечники применяются для набора жидкостей объемом от 100 до 1000 мкл. Предназначены для пипеток типа DV1000, D1000, имеющих кнопку пипетирования голубого цвета.

Наконечники 5000

Эти наконечники применяются для набора жидкостей объемом от 500 до 5000 мкл. Предназначены для пипеток типа DV5000, D5000, имеющих кнопку пипетирования белого цвета.

Наконечники 10000

Эти наконечники применяются для набора жидкостей объемом от 1000 до 10000 мкл. Предназначены для пипеток типа DV10000, D10000, имеющих кнопку пипетирования белого цвета.

7 - УКАЗАНИЯ ПО ЭКСПЛУАТАЦИИ.

Соблюдение следующих правил гарантирует точный и воспроизводимый набор жидкости.

- Пипетка **DISCOVERY Comfort**, во время работы, должна иметь заблокированной возможность изменения объема при помощи ограничительного кольца.
- Во время работы (набора и слива жидкости) нажимать и отпускать кнопку нужно медленно и плавно.
- Во время набора жидкости наконечник надо опускать в жидкость не глубоко и на постоянную глубину.
- Во время работы пипетку необходимо держать вертикально.
- При смене набираемой жидкости необходимо сменить наконечник.
- Если на стенках наконечника остаются капли жидкости, то наконечник нужно заменить.
- Каждый новый наконечник нужно предварительно прополоскать.
- Не допускается попадания жидкости внутрь конуса пипетки. Чтобы избежать этого, необходимо:
 - нажимать и отпускать кнопку пипетки медленно и плавно,
 - не класть пипетку с жидкостью, набранной в наконечник,
 - не переворачивать пипетку.
- Не можно устанавливать объема за границей номинального размера.
- Перед набором жидкости, температура которой отличается от температуры окружающей среды рекомендуется несколько раз прополоскать наконечник этой жидкостью.
- Не допускается набор жидкости температура которой выше 70°C.
- После работы с кислотами или другими агрессивными жидкостями рекомендуется разобрать пипетку и промыть плунжер, уплотнитель, конуса дистиллированной водой.

8 - КАЛИБРОВКА

Пипетки **HTL** калибруются гравиметрическим способом с применением наконечников **HTL** и дистилли-

рованной воды, при температуре $20 \pm 1^\circ\text{C}$, в соответствии со стандартом EN ISO 8655.

Если в ходе применения пипетки оказывается, что ошибка точности (разница между фактически отбираемым и установленным объемами) превышает допустимое значение, указанное в таблице в разделе 1, следует провести калибровку пипетки.

Прежде чем приступить к калибровке, необходимо проверить, удовлетворялись ли при определении ошибки следующие условия:

- температура окружающей среды, пипетки, наконечника и воды должна быть одинаковой,
- была ли плотность применяемой жидкости близкой плотности дистиллированной воды,
- использовались ли весы с соответствующей чувствительностью,

Проверяемый объем [мкл]	Чувствительность весов [мг]
0,1 - 10	$\leq 0,001$
10 - 100	$\leq 0,01$
> 100	$\leq 0,1$

- был ли учтен пересчетный коэффициент мг/мкл,
- удовлетворялись ли требования, приведенные в разделах 3 и 7.

Если вышеуказанные условия удовлетворялись, а ошибка точности для выбранной емкости, указанной в разделе 1, превышает допустимое значение, следует провести повторную калибровку пипетки.

Повторную калибровку можно производить только в диапазоне одного полного оборота ключа вправо или влево.

Условия проведения калибровки:

- температура окружающей среды, пипетки, наконечника и жидкости должна находиться в пределах $20-25^\circ\text{C}$ и быть стабильной в ходе взвешивания в пределах $\pm 0,5^\circ\text{C}$,
- измерения следует производить с применением дистиллированной воды,
- чувствительность весов должна соответствовать проверяемой емкости.

Порядок проведения калибровки:

- установить объем дозы в зависимости от емкости пипетки в соответствии с нижеследующей таблицей.

Тип пипетки	Диапазон емкости пипетки [мкл]	Устанавливаемый объем [мкл]	Допустимые значения [мкл]	Изменение объема при полном обороте калибровочного ключа ΔV [мкл] (24 цены деления)
DV2, D2	0,1 - 2	0,2	0,176 - 0,224	0,06
DV10, D10	0,5 - 10	0,5	0,48 - 0,52	0,33
DV20, D20	2 - 20	2	1,94 - 2,06	0,63
DV50, D50	5 - 50	5	4,875 - 5,125	2,50
DV100, D100	10 - 100	10	9,84 - 10,16	2,50
DV200, D200	20 - 200	20	19,76 - 20,24	6,30
DV250, D250	50 - 250	50	49,5 - 50,5	6,30
DV1000, D1000	100 - 1000	100	98,4 - 101,6	25,00
DV5000, D5000	500 - 5000	500	494 - 506	125,00
DV10000, D10000	1000 - 10000	1000	975 - 1025	250,00

- отобрать пять доз, взвешивая их каждый раз, вычислить среднее значение.
- вычислить средний объем отбираемой дозы в мкл, умножая среднее значение [мг] на коэффициент плотности дистиллированной воды [мкл/мг], зависящий от температуры и давления согл. таблице.

Температура [$^\circ\text{C}$]	Давление [кПа]		
	95,0	101,3	105,0
20	1,0028	1,0029	1,0029
21	1,0030	1,0031	1,0031
22	1,0032	1,0033	1,0033
23	1,0034	1,0035	1,0036
24	1,0037	1,0038	1,0038
25	1,0039	1,0040	1,0040

Если средний объем отбираемой дозы превышает допустимые значения, следует:

- снять кнопку отмеривания, (рис. 4А),
Внимание: Кнопка пипетирования состоит из 2 частей: воротка (рис. 1А2) и клавиша (рис. 1А1). После снятия клавиша обе части разъединяются.
- придерживая кольцо установки объема, не допуская его поворота, вставить калибровочный ключ в вырезы калибровочного винта, (рис. 4В),
- повернуть ключ по часовой стрелке для уменьшения дозы или, наоборот, против часовой стрелки - для увеличения дозы, (рис. 4С).

Один полный оборот калибровочного ключа изменяет объем отбираемой пипеткой дозы на значения, указанные в таблице,

- вынуть калибровочный ключ и установить кнопку пипетирования (рис. 4D). В целях монтажа кнопки пипетирования необходимо вначале насадить вороток на конус пипетки (рис. 1A2), затем клавиш. (рис. 1A1).

Определить средний объем отбираемой дозы. Он должен укладываться в области допустимых значений, приведенных в таблице. Если этот объем превышает указанные значения, калибровку следует повторить.

В случае отмеривания жидкостей, которые по физическим свойствам значительно отличаются от воды, поступать в соответствии с указаниями раздела 5.

Более подробная информация о калибровке находится на сайте www.htl.com.pl

9 - УСТРАНЕНИЕ МЕЛКИХ ДЕФЕКТОВ

При обнаружении неправильной работы пипетки, установите причину и устраните неисправность. При этом, следует поступать в порядке, указанном в инструкции. Замену элементов новыми нужно считать крайностью, которая не должна иметь места при правильной эксплуатации пипетки.

В наконечнике остаются капли жидкости.

- Слишком быстрое опорожнение наконечника.
Нажимайте кнопку пипетки медленнее.
- Повышенное смачивание наконечника, вызванное многократным употреблением.
Замените наконечник новым.

В набранной в наконечник жидкости появляются воздушные пузыри.

- Слишком мелкое погружение наконечника.
Погрузите наконечник глубже, в соответствии с инструкцией.
- Наконечник слабо втиснут на конус пипетки.
Сильнее втисните наконечник.
- Наконечник поврежден или многократно использовался.
Замените наконечник новым.

Пипетка неправильно набирает жидкость или жидкость вытекает из наконечника.

- Наконечник слабо втиснут на конус пипетки.
Сильнее втисните наконечник.
- Ослаблена гайка крепления конуса (рис. 3F).
Затяните гайку крепления конуса.
- Трещина или царапина на поверхности уплотнения конуса.
Снимите сбрасыватель, открутите гайку крепления конуса, проверьте конус и плунжер. Замените поврежденные элементы (см. глава 12), соберите пипетку, затягивая гайку.
В пипетках DV/D2, DV/D10 и DV/D20 повреждение конуса может повлечь за собой повреждение плунжера. Замените поврежденные детали (см. глава 12), соберите пипетку, затягивая гайку.
Чтобы изъять сбрасыватель из пипеток DV/D5000 и DV/D10000 необходимо снять кнопку сбрасывателя (рис. 3N) и с помощью отвертки вывинтить сбрасыватель, вращая отвертку по направлению против часовой стрелки.
- Повреждение плунжера или прокладки пипетки, вызванное длительным набором агрессивных жидкостей.
Разберите пипетку, описанным выше способом. Поменяйте плунжер, прокладку и O-ринг (см. глава 12). Вымойте внутреннюю часть дистиллированной водой. Уплотнительную прокладку и O-ринг смажьте смазкой, которая прилагается к каждой пипетке.
Смена плунжера требует повторной калибровки.
В пипетках DV/D2, DV/D10 следует обратить внимание на то, чтобы смазываемые элементы были равномерно покрыты минимальным количеством смазки.
- Неправильная сборка пипетки.
Разберите пипетку и соберите ее повторно, соблюдая правильную последовательность сборки (рис. 3).
- Отсутствие смазки на уплотнительных элементах.
Снимите сбрасыватель. Отвинтите гайку крепления конуса, изымите конус, плунжер, уплотнительную прокладку и O-ринг. Изъятые детали вымойте дистиллированной водой и высушите.
Внутренние поверхности уплотнительной проклад-

ки и O-ринга слегка смажьте смазкой, которая прилагается к каждой пипетке. Соберите пипетку в обратной последовательности.

- Загрязнение внутренней части пипетки, вызванное длительным набиранием химически агрессивных жидкостей или попаданием жидкости в пипетку.

Снимите сбрасыватель, отвинтите гайку крепления конуса, изымите конус, плунжер, уплотнительную прокладку и O-ринг. Изъятые детали вымойте дистиллированной водой и высушите. Внутренние поверхности уплотнительной прокладки и O-ринга слегка смажьте смазкой. Соберите обратно пипетку.

Увеличение сил пипетирования - дозировки, которое может иметь место после многократной стерилизации пипетки.

Снимите сбрасыватель. Надо отвинтить гайку крепления конуса, вынуть конус, плунжер, уплотнительную прокладку и O-ринг. Изъятые детали промойте дистиллированной водой и высушите. Внутреннюю поверхность уплотнительной прокладки и O-ринга слегка смажьте смазкой. Соберите пипетку.

Внимание: Все детали пипетки можно стерилизовать, смотри раздел 10.

Конусы пипеток 5000 и 10000 нужно стерилизовать в автоклаве без фильтра.

Если выполнение вышеуказанных действий не приведет к нормальной работе пипетки, необходимо отдать пипетку в сервисный ремонт **HTL**.

Перед отправлением в сервисный пункт, следует проверить пипетку на загрязнение химически агрессивными, радиоактивными, микробиологическими реагентами, которые могут представлять угрозу во время транспортировки и ремонта. По мере возможности очистить пипетку.

10 - ОЧИСТКА И СТЕРИЛИЗАЦИЯ

Очистка:

Поверхность извне кнопки пипетирования (дозировки), кнопки сбрасывателя, рукоятки и калибровочного воротка рекомендуется очищать с помощью ватного тампона, насыщенного изопропиловым спиртом. Остальные части, вынимаемые из пипетки в процессе

демонтажа, можно мыть дистиллированной водой либо изопропиловым спиртом.

ВНИМАНИЕ: Перед использованием иных чистящих средств отличных от рекомендованных производителем, проверить таблицу совместимости веществ, из которых изготовлены элементы пипетки: PEI, PP, PC, POM, PA, PPS, PVDF.

Стерилизация:

Пипетку необходимо стерилизовать в автоклаве при температуре 121°C в течении 20 минут. После стерилизации следует высушить и охладить пипетку до комнатной температуры.

Рекомендуется:

- Стерилизация пипеток в автоклаве с циклом предва
- Перед стерилизацией рекомендуется слегка расслабить гайку, закрепляющую конус в пипетках типа DV/D2 - DV/D1000, а в пипетках типа DV/D5000 и DV/D10000 следует слегка отвинтить конус. После стерилизации детали необходимо завинтить и закрепить.

- Перед стерилизацией установить ограничительное колцо в нижнее положение.

При правильной эксплуатации и стерилизации, повторяемость получаемых результатов не изменяется. Поскольку может иметь место незначительное изменение точности дозирования, рекомендуется:

- проверять калибровку пипеток после 1, 3 и 5 стерилизации, а также после каждых 10 последующих циклов стерилизации в процессе дальнейшей эксплуатации.

Внимание: Конусы пипеток 5000 и 10000 нужно стерилизовать в автоклаве без фильтра.

Пипетки устойчивы к действию УФ лучей, что подтверждено нашими испытаниями. Рекомендованное расстояние от источника излучения до облучаемого элемента должно составлять не менее 50 см. Слишком длительное, интенсивное облучение может вызвать незначительные изменения внешнего вида цветных элементов, что не повлияет на характеристики пипеток.

11 - КОМПЛЕКТАЦИЯ

Пипетки поставляются в комплекте:

- пипетка
- инструкция по обслуживанию
- калибровочный ключ
- штатив для пипеток
- насадка сбрасывателя
(для пипеток DV/D2, DV/D10, DV/D5000, DV/D10000)
- идентификационные наклейки
- фильтры
(для пипеток DV/D5000, DV/D10000)
- смазка
- идентификационные кольца
(для пипеток DV/D2 - DV/D1000)

Способ монтажа штатива показан на рисунке 8.

12 - ЗАПАСНЫЕ ЧАСТИ.

Запасные части до пипеток **DISCOVERY Comfort** показаны на рисунке 3, 4, 5 и 7:

A: Кнопка пипетирования **A1:** Клавиш **A2:** Вороток

B: Регулятор установки объема

C: Конус

D: Сбрасыватель

F: Гайка закрепляющая конус

G: Агрегат плунжера

I: O-ринг

J: Уплотнитель

K: Калибровочный ключ

L: Фильтр

M: Насадка сбрасывателя

N: Кнопка сбрасывателя

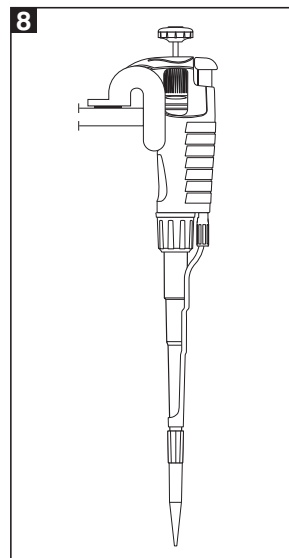
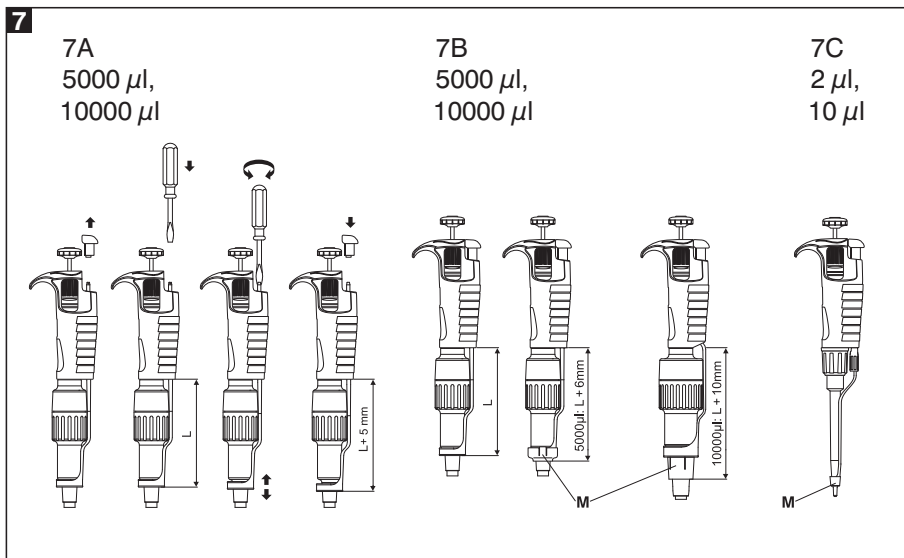
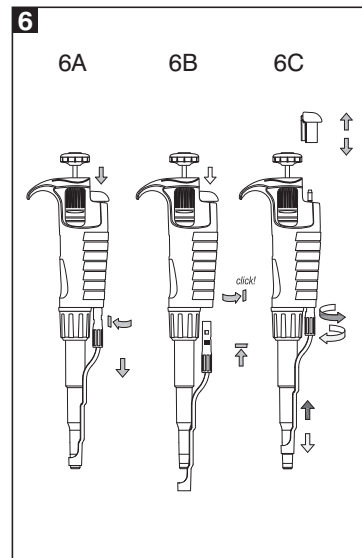
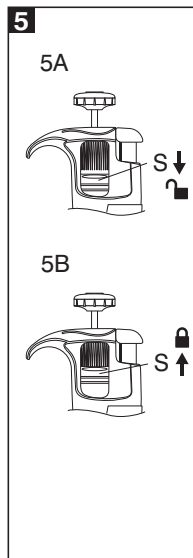
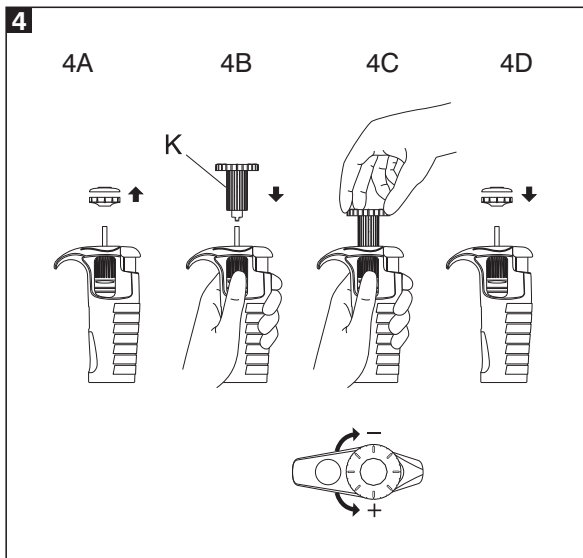
P: Идентификационные кольца

S: Ограничительное кольцо

При заказе запасных частей для пипетки необходимо определить тип пипетки, каталоговый и серийный номер пипеты, а также указать название заказываемой части.

Замечание: Замена узла плунжера требует проведения калибровки в соответствии с разделом 8.

Все права защищены. Продукты, описанные в настоящей инструкции, доступны в ограниченном количестве и подлежат техническим изменениям. Ошибки допускаются. PZ HTL S.A. оставляет за собой право на усовершенствование либо иного рода модификацию своих продуктов без предварительного уведомления.
© 2015 PZ HTL S.A.



Producent:

PZ HTL S.A.
Daniszewska 4.
03-230 Warsaw, Poland
Tel.: +48 22 492-19-00
Fax: +48 22 492-19-93
www.htl.com.pl